

FEATURES & SPECIFICATIONS

INTENDED USE — Drill mount tenon adaptor converts pole-top tenons to accommodate arm-mounted luminaires.

CONSTRUCTION — Adaptor is formed from aluminum 6061 alloy schedule 40 pipe, heat-treated to a T6 temper after welding. Welding follows industry-standard best practices.

Hardware: Stainless steel set screws included.

Top cap: Plastic top cap included.

Finish: Must specify finish.

INSTALLATION — Slide slipfitter over pole tenon and tighten down set screws. Proceed with arm installation.

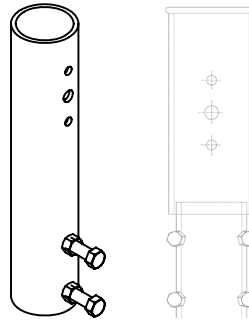
WARRANTY — 1-year limited warranty.

NOTE: Actual performance may differ as a result of end-user environment and application. Specifications subject to change without notice.

Drill-Mount Tenon Slipfitter

TXX/ASTXX/ASXX

STANDARD (TXX) OR AERIS™/OMERO™ (ASTXX) DRILL PATTERN



(See next page for dimensions and drawings.)

ORDERING INFORMATION

Lead times will vary depending on options selected. Consult with your sales representative.

Example: T20-280 DDB

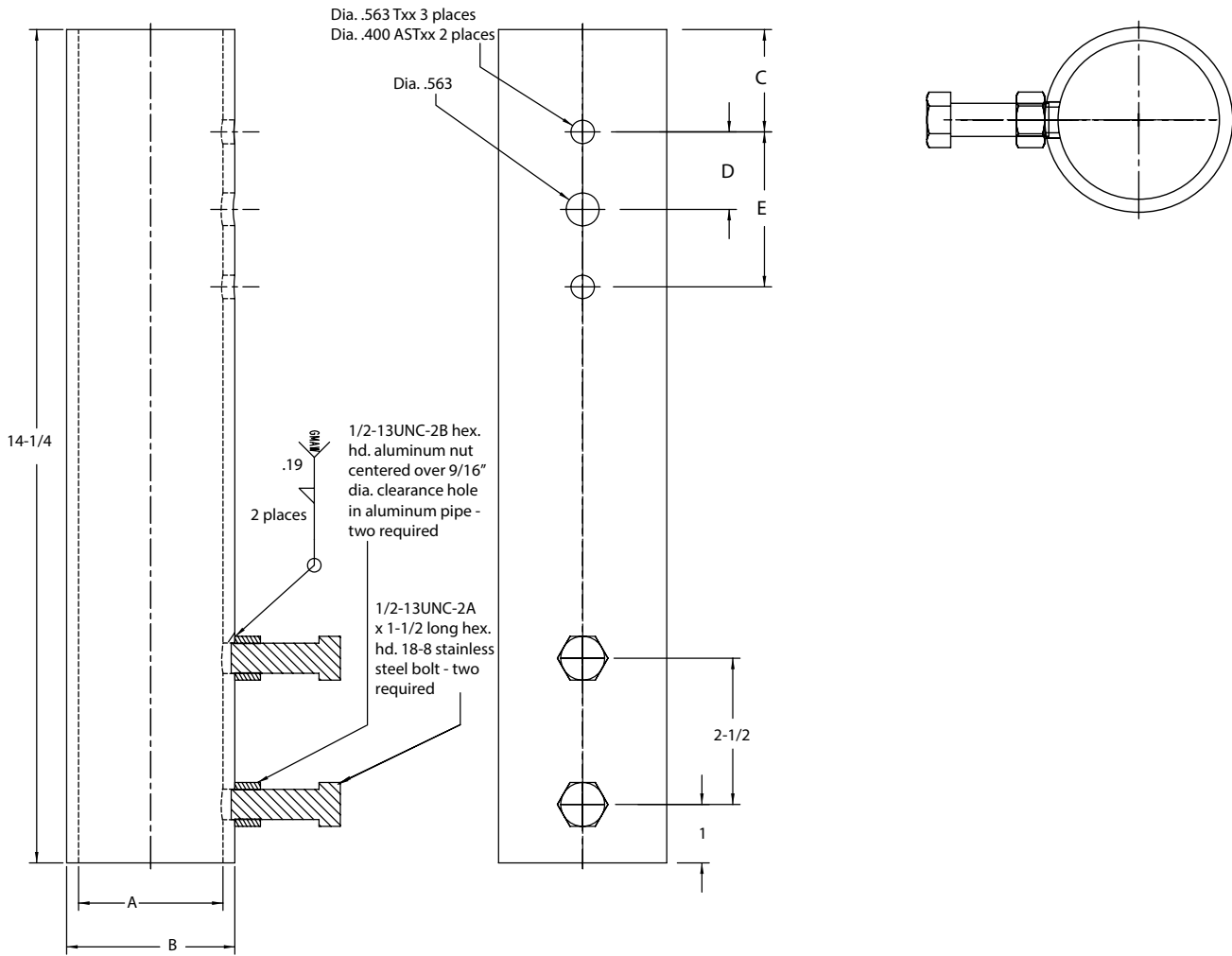
AST25		—	190	DBL
Drilling and slipfitter size ^{1,2,3}		Drilling orientation		Finish ⁴
T20	2.88" O.D.	190	1 at 90°	<u>Standard colors</u>
T25	3.50" O.D.	280	2 at 180°	DDB Dark bronze
T35	4.57" O.D.	290	2 at 90°	DWH White
AST20	2.88" O.D.	320	3 at 120°	DBL Black
AST25	3.50" O.D.	390	3 at 90°	DMB Medium bronze
AST35	4.57" O.D.	490	4 at 90°	BA Brushed aluminum
AS3-5	3.5" O.D. ³			<u>Classic colors</u>
AS4-5	4.5" O.D. ³			DSS Sandstone
				DGC Charcoal gray
				DTG Tennis green
				DBR Bright red
				DSB Steel blue
				<u>Primer finish</u>
				DPRM Red primer
				<u>Class 1 architectural anodized</u>
				ABL Black
				ADB Dark bronze
				ANA Natural
				<u>Architectural colors⁴</u> (powder finish)

NOTES:

- Txx is drill template #5. ASTxx and ASxx are drill template #8. Special drillings available; consult factory.
- Additional custom sizes are available; consult factory.
- I.D. for ASx-x is 2.469".
- Finish must be specified. Additional colors available.

(Form No. 794.3)

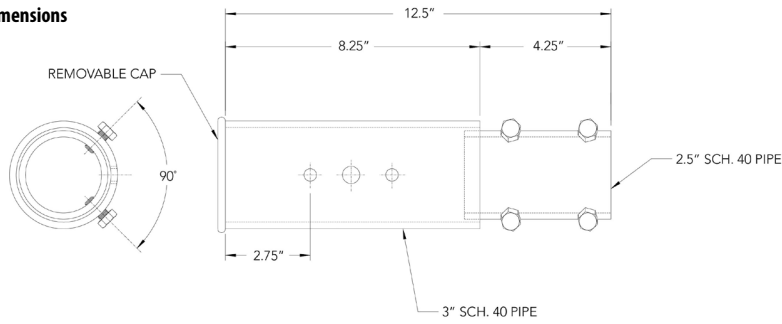
Txx/ASTxx Drill-Mount Tenon Slipfitter; Metal, Fiberglass or Concrete Poles



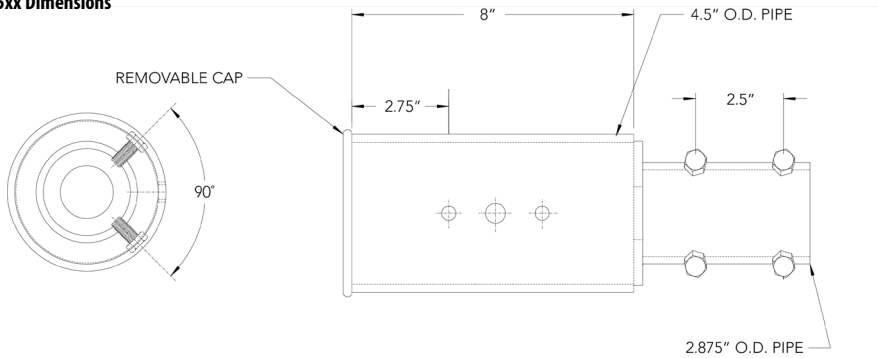
Txx-xxx/ASTxx-xxx Drill-Mount Tenon Slipfitter						
Lithonia Lighting Catalog Number	Drilling Template Pattern	Dimensions (inches)				
		A	B	C	D	E
T20-xxx	#5	2.468	2.875	1.750	2.125	4.250
T25-xxx	#5	3.062	3.500	1.750	2.125	4.250
T35-xxx	#5	4.100	4.574	1.750	2.125	4.250
AST20-xxx	#8	2.468	2.875	1.750	1.325	2.650
AST25-xxx	#8	3.062	3.500	1.750	1.325	2.650
AST35-xxx	#8	4.100	4.574	1.750	1.325	2.650

Txx/ASTxx Drill-Mount Tenon Slipfitter; Metal, Fiberglass or Concrete Poles

AS3-5xx Dimensions



AS4-5xx Dimensions



TECHNICAL INFORMATION

Lithonia Lighting Catalog Number	MAX EPA (ft ²) WITH 3-SECOND GUST AT 50ft MOUNTING HEIGHT	
	100 MPH Per Luminaire	MAX Weight Per Luminaire"
T20-xxx	6.5	85 lbs.
T25-xxx	6.5	85 lbs.
T35-xxx	3.6	85 lbs.
AST20-xxx	6.5	85 lbs.
AST25-xxx	6.5	85 lbs.
AST35-xxx	3.6	85 lbs.
AS3-5-xxx	7.6	85 lbs.
AS4-5-xxx	7.6	85 lbs.

CAUTION:

- The arms described herein are designed for applications in areas of normal winds. Consult the factory prior to the design of systems to be mounted on structures such as bridges or buildings, or areas known to have abnormal winds such as airports or coastal areas. Failure to consider these factors in the system design could result in the failure of the pole or mast arm, and consequently personal injury or property damage.