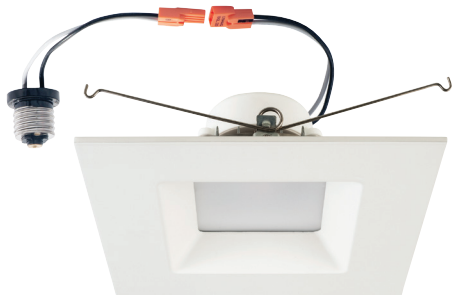


# 6" Square Downlights



ProLED® Square Downlights are a long life and energy efficient replacement for traditional lamps. Our 4" and 6" platforms are easy to install and deliver a maintenance-free peace of mind for their 50,000 hour useful rated life. With its superior LED technology and performance, the ProLED Square Downlights deliver consistent color, uniform illumination, and a memorable complement for any lighting design. Applications include: home, office, lobby, hospitality, retail, conference room. ProLED Square Downlights are backed by a 5-year limited warranty.

## Performance Specifications

**CRI** \_\_\_\_\_ 90  
**Rated Life** \_\_\_\_\_ 50,000 hours  
**Watt** \_\_\_\_\_ 15W  
**Lumens** \_\_\_\_\_ 900-1,040lm  
**Lumens per Watt (LPW)** \_\_\_\_\_ 60-69  
**Input Line Voltage** \_\_\_\_\_ 120V  
**Input Line Frequency** \_\_\_\_\_ 60 Hz

**Min. Start Temp.** \_\_\_\_\_ -30°C (-22°F)  
**Max. Operating Temp.** \_\_\_\_\_ 40°C (104°F)  
**Power Factor** \_\_\_\_\_ >97%  
**Warranty** \_\_\_\_\_ 5-Year Limited  
**Control** \_\_\_\_\_ Dimmable (10%)  
**Weight** \_\_\_\_\_ 1.20 lb

## Energy Savings

Traditional Incandescent	Replacement LED	Energy Savings
65W	15W	77%

## Construction

- Die-cast aluminum housing and trim for durability and heat dissipation
- 50,000 hour life results in lower maintenance costs over time
- Luminaire is UL approved for wet locations
- Durable frosted polycarbonate lens for smooth illumination
- Polyester powder coat white finish
- RoHS Compliant

## Installation

- Rotatable collar for easy alignment to walls and other luminaires after unit is installed
- Rated for indoor use only

## Electrical

- 120V Input
- 50/60 Hz Frequency
- Dimmable (10%)
- Power Factor >97%

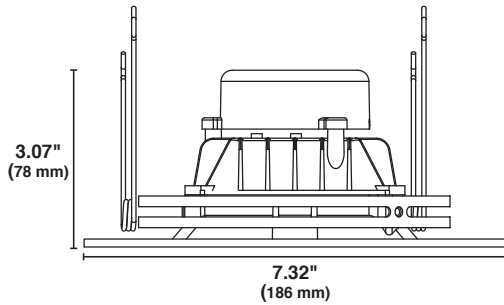
## Ordering Information



Watt	Product #	Product Code	Volts	Color Temp.	CRI	Lumen Output	Useful Life*	Dimmable	Fixture Size	Equivalent Wattage
15	99956	QDL6FR15/927/LED	120	2700K	90	900	50,000	Yes	6"	65
15	99957	QDL6FR15/930/LED	120	3000K	90	930	50,000	Yes	6"	65
15	99958	QDL6FR15/940/LED	120	4000K	90	1000	50,000	Yes	6"	65
15	99959	QDL6FR15/950/LED	120	5000K	90	1040	50,000	Yes	6"	65
	91003	ADP/DL/GU24/LED	GU24 Socket Adapter							

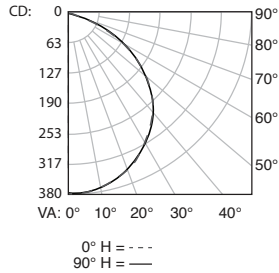
\* Useful Life is defined as the point in time at which the lamp will maintain at least 70% of its initial lumens.

## Dimensions



## Photometrics

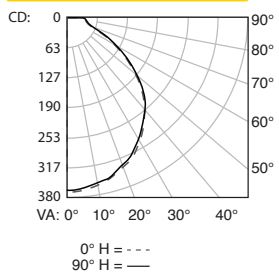
### 99956, QDL6FR15/927/LED



LUMENS PER ZONE					
ZONE	LUMENS	% TOTAL	ZONE	LUMENS	% TOTAL
0-10	35.8	3.8%	90-100	0.1	0%
10-20	102.6	10.8%	100-110	0	0%
20-30	155.4	16.3%	110-120	0	0%
30-40	186.4	19.5%	120-130	0	0%
40-50	188.5	19.8%	130-140	0	0%
50-60	157.9	16.5%	140-150	0.2	0%
60-70	95.5	10.0%	150-160	0.4	0%
70-80	27.5	2.9%	160-170	0.3	0%
80-90	3.4	0.4%	170-180	0.1	0%

ZONAL LUMEN SUMMARY			
ZONE	LUMENS	% LAMP	% LUMINAIRE
0-30	293.8	30.7%	30.8%
0-40	480.2	50.3%	50.3%
0-60	826.6	86.5%	86.6%
60-90	126.4	13.2%	13.2%
70-100	31.0	3.2%	3.3%
90-120	0.1	0%	0%
0-90	953.0	99.7%	99.9%
90-180	1.1	0.1%	0.1%
Total Luminaire Efficiency = 100.00%			

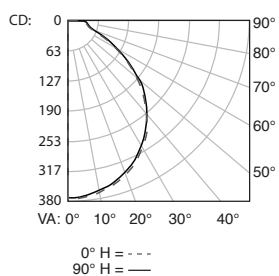
### 99957, QDL6FR15/930/LED



LUMENS PER ZONE					
ZONE	LUMENS	% TOTAL	ZONE	LUMENS	% TOTAL
0-10	34.7	3.5%	90-100	10.8	1.1%
10-20	99.2	10.0%	100-110	0	0%
20-30	149.4	15.0%	110-120	0	0%
30-40	177.7	17.9%	120-130	0	0%
40-50	178.1	17.9%	130-140	0	0%
50-60	147.6	14.9%	140-150	0.2	0%
60-70	96.5	9.7%	150-160	0.4	0%
70-80	54.8	5.5%	160-170	0.3	0%
80-90	43.9	4.4%	170-180	0.1	0%

ZONAL LUMEN SUMMARY			
ZONE	LUMENS	% LAMP	% LUMINAIRE
0-30	283.3	28.9%	28.5%
0-40	460.9	47%	46.4%
0-60	786.7	80.3%	79.2%
60-90	195.1	19.9%	19.6%
70-100	109.4	11.2%	11%
90-120	10.8	1.1%	1.1%
0-90	981.8	100.2%	98.8%
90-180	11.7	1.2%	1.2%
0-180	993.5	101.4%	100%
Total Luminaire Efficiency = 100.00%			

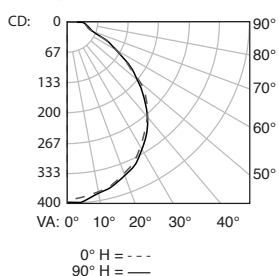
### 99958, QDL6FR15/940/LED



LUMENS PER ZONE					
ZONE	LUMENS	% TOTAL	ZONE	LUMENS	% TOTAL
0-10	36.0	3.5%	90-100	11.2	1.1%
10-20	103.1	10.0%	100-110	0	0%
20-30	155.2	15.0%	110-120	0	0%
30-40	184.6	17.9%	120-130	0	0%
40-50	185.1	17.9%	130-140	0	0%
50-60	153.4	14.9%	140-150	0.2	0%
60-70	100.2	9.7%	150-160	0.4	0%
70-80	56.9	5.5%	160-170	0.3	0%
80-90	45.6	4.4%	170-180	0.1	0%

ZONAL LUMEN SUMMARY			
ZONE	LUMENS	% LAMP	% LUMINAIRE
0-30	294.3	28.9%	28.5%
0-40	478.9	47%	46.4%
0-60	817.4	80.3%	79.2%
60-90	202.7	19.9%	19.6%
70-100	113.7	11.2%	11%
90-120	11.2	1.1%	1.1%
0-90	1,020.1	100.2%	98.8%
90-180	12.1	1.2%	1.2%
0-180	1,032.2	101.4%	100%
Total Luminaire Efficiency = 100.00%			

### 99959, QDL6FR15/950/LED



LUMENS PER ZONE					
ZONE	LUMENS	% TOTAL	ZONE	LUMENS	% TOTAL
0-10	37.1	3.5%	90-100	11.5	1.1%
10-20	106.0	10.0%	100-110	0	0%
20-30	159.7	15.0%	110-120	0	0%
30-40	189.9	17.9%	120-130	0	0%
40-50	190.4	17.9%	130-140	0	0%
50-60	157.8	14.9%	140-150	0.2	0%
60-70	103.1	9.7%	150-160	0.4	0%
70-80	58.5	5.5%	160-170	0.3	0%
80-90	46.9	4.4%	170-180	0.1	0%

ZONAL LUMEN SUMMARY			
ZONE	LUMENS	% LAMP	% LUMINAIRE
0-30	302.7	28.9%	28.5%
0-40	492.6	47%	46.4%
0-60	840.8	80.3%	79.2%
60-90	208.5	19.9%	19.6%
70-100	116.9	11.2%	11%
90-120	11.5	1.1%	1.1%
0-90	1,049.3	100.2%	98.8%
90-180	12.4	1.2%	1.2%
0-180	1,061.8	101.4%	100%
Total Luminaire Efficiency = 100.00%			