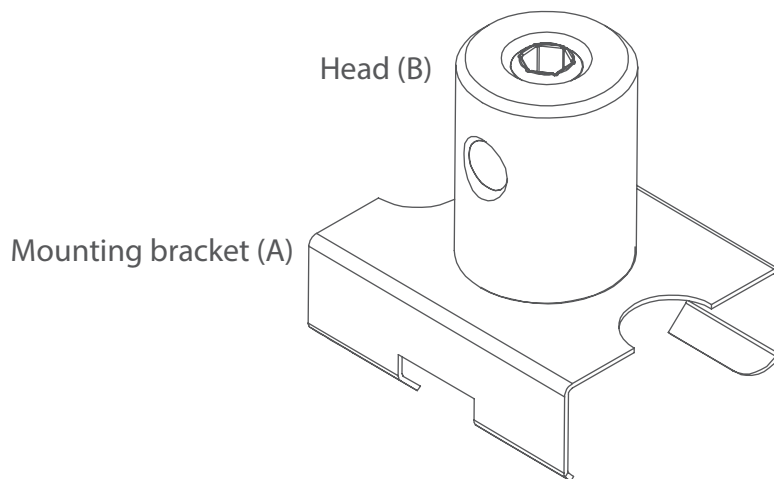


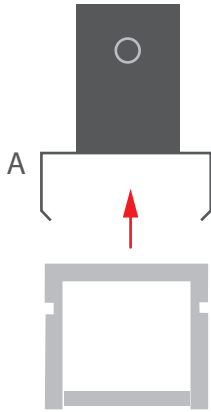
Parts needed to mount the ST standard head



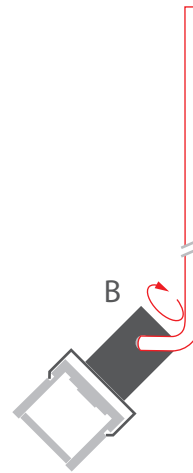
Tools needed for mounting:

- Allen wrench

1. Insert the lighting fixture into the mounting bracket (A).



2. Mount the arm in the head (B) by tightening the pressure screw in the head with the Allen wrench.



3. NOTE! The position of the lighting fixture on the arm can be adjusted in the range of 360° (depending on the distance of the fastener from the edge of the extrusion).

