

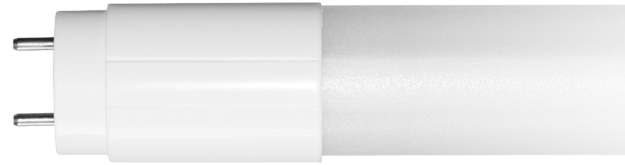


LED ET8-3140H-13

Part #: ELT8/P/13W/1650/270D/40K/G13/HD/A+B Lamp Class: T8 (4 ft.)



Nano-plastic composites deliver splendid light distribution without compromising brightness or producing undesirable glare.



Product Description

A step above the rest, the Euri Lighting ET8-3140H-13 is energy efficient, shatter resistant and guaranteed for easy installation. Compatible with or without a ballast, this linear tube is thoughtfully designed to be long-lasting and maintenance free. An energy efficient alternative to standard fluorescent lighting, this 4-foot LED tube is available in energetic Bright White (4000K) and crisp Cool White (5000K) – see Euri Lighting ET8-3150H-13.



Estimated Energy Cost: \$1.56 per year

LED Hybrid Tube

Hybrid technology reduces maintenance expenses and allows adaptable installation methods whether a ballast is present or not

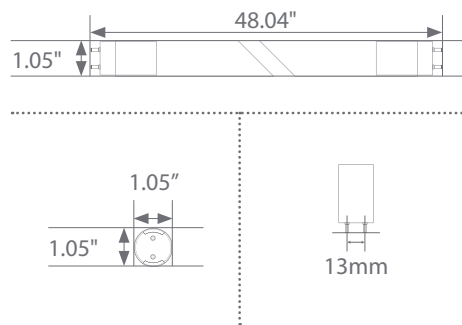
Specifications

Input Power	Input Voltage	Lumen Output	Beam Angle	Center Beam	CCT
13 W	AC100-277 V	1650 lm	270°	N/A	4000 K
CRI	Luminous Efficacy	Power Factor	Input Current	Base/Cap	Lamp Lifespan
80	126 lm/W	0.9	0.1 A	G13	50,000 Hrs.

Product Features

- Non-Dimmable
- Instant-On/Off
- Mercury Free
- Damp Rated

Product Dimensions



Product Photometric Data

