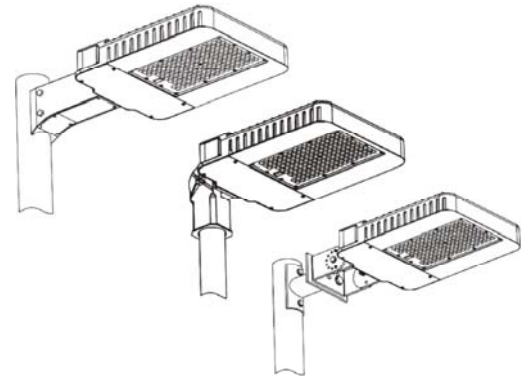




MaxLite® LED Medium Area Light

General Safety Information

- To reduce the risk of death, personal injury or property damage from fire, electric shock, falling parts, cuts/abrasions, and other hazards read all warnings and instructions included with and on the fixture box and all fixture labels.
- Before installing, servicing, or performing routine maintenance upon this equipment, follow these general precautions.
- Commercial installation, service and maintenance of luminaires should be performed by a qualified licensed electrician.
- **DO NOT INSTALL DAMAGED PRODUCT!**
- This fixture is intended to be connected to a properly installed and grounded UL listed junction box.



Picture is for illustration purposes only.
Your model may vary.

WARNING:

RISK OF ELECTRICAL SHOCK

- Turn off electrical power at fuse or circuit breaker box before wiring fixture to the power supply.
- Turn off the power when you perform any maintenance.
- Verify that supply voltage is correct by comparing it with the luminaire label information.
- Make all electrical and grounded connections in accordance with the National Electrical Code and any applicable local code requirements.
- All wiring connections should be capped with UL approved wire connectors.

CAUTION:

RISK OF INJURY

- Unit will fall if not installed properly. Follow installation instructions.
- Wear gloves and safety glasses at all times when removing luminaire from carton, installing, servicing or performing maintenance.
- Avoid direct eye exposure to the light source while it is on.
- Account for small parts and destroy packing material, as these may be hazardous to children.

CAUTION:

RISK OF FIRE

- Keep combustible and other materials that can burn away from luminaire and lamp/lens.
- MIN 75°C SUPPLY CONDUCTORS.

Models:

Example: AR60, AR100, AR140, AR210 and AR280 Series

Operating characteristics:

Operating temperature: -40°C to 55°C

Input voltage range: 100-277, 347-480V, 50/60 HZ



MaxLite® LED Medium Area Light

Installation & Operation

Straight Arm Pole Mounting:

This fixture can be configured to pole and an adapter plate has been included to mount to the pole. Hole pattern on the pole shall be in accordance with **FIG.1**. If there is no hole on the pole, drill holes according to the pattern in **FIG.1**.

Different adapters are optional, including square pole adapter, 3"round pole adapter (RPA), 4"RPA, and 5"RPA.

- Tighten the nut plate and adapter on the pole (see **FIG.2**).
- Insert the fixture into the adapter (see **FIG.3**).
- Tighten the four M8 screws on the straight arm and secure it to the adapter (see **FIG.4**).
- Connect the power lead properly, make wirings inside the straight arm, and tighten the arm door with screws (see **FIG.5**).
- Inspect installation to ensure fixture is secure.

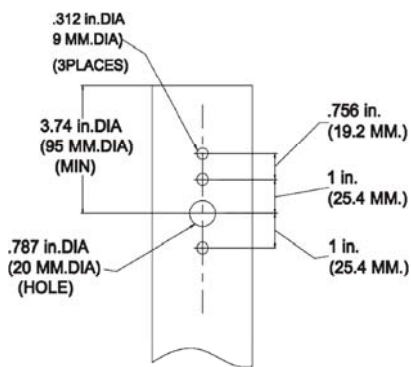


FIG.1

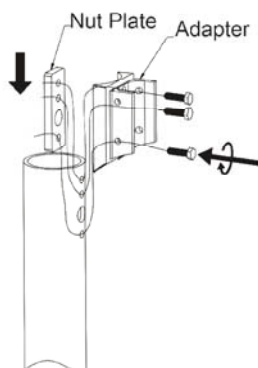


FIG.2

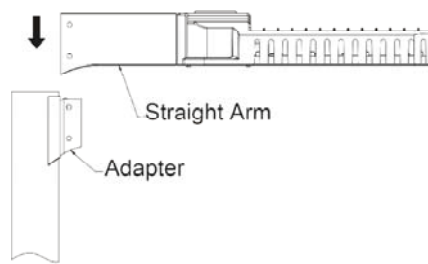


FIG.3

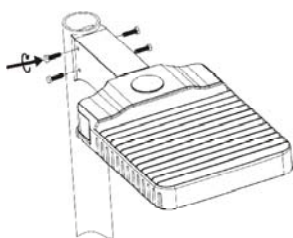


FIG.4

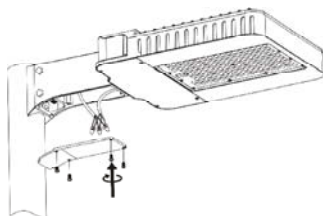


FIG.5

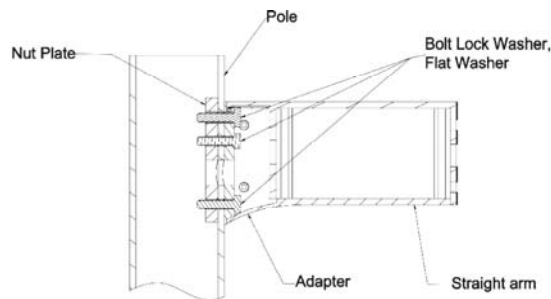


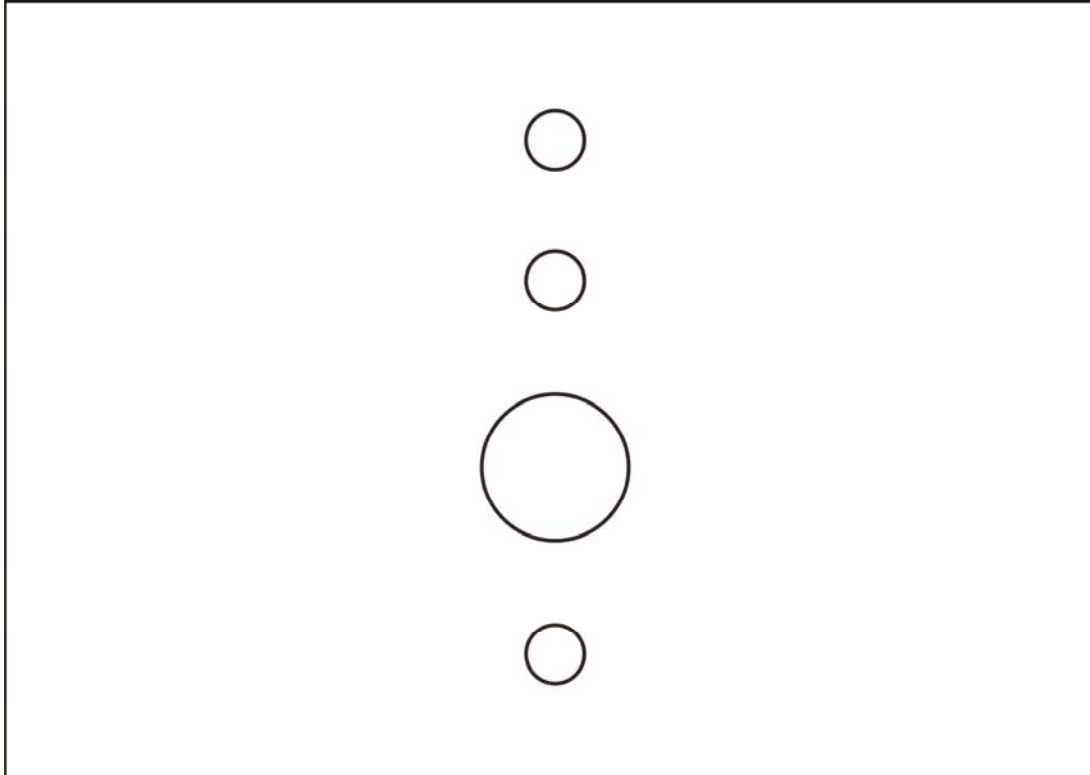
FIG.6

Sectional drawing of the pole and straight arm mounting

MaxLite® LED Medium Area Light



Straight Arm Pole Drill Pattern



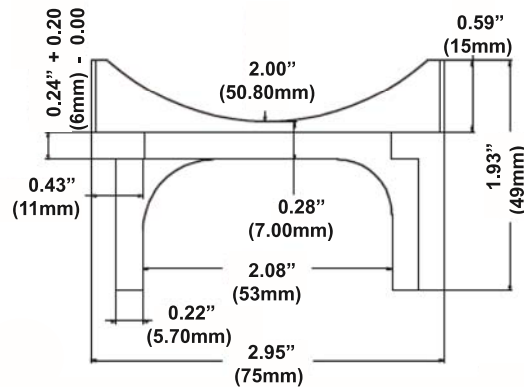
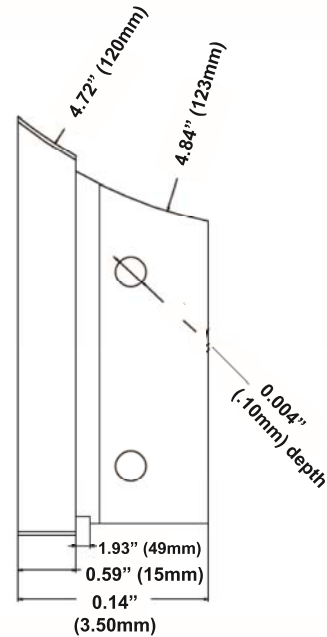
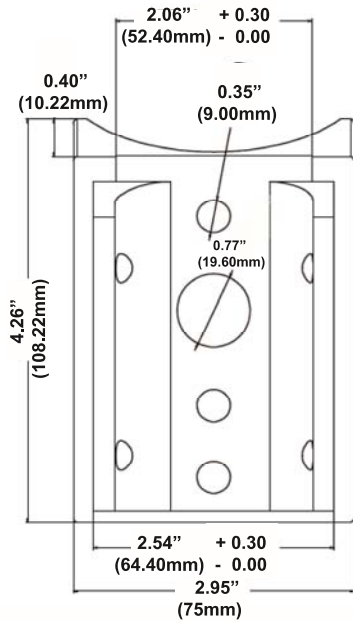


MaxLite® LED Medium Area Light

Installation & Operation

Straight Arm Pole Mounting (Continued):

4" Round Pole Adaptor



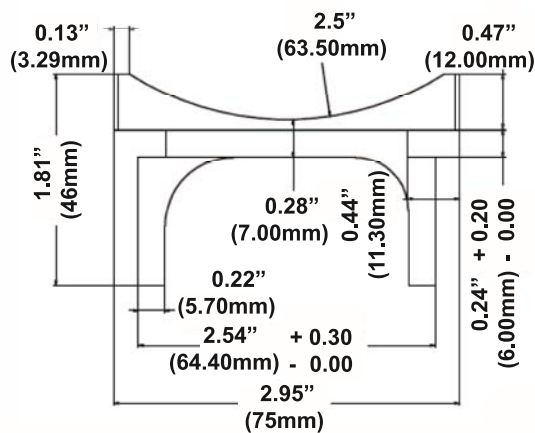
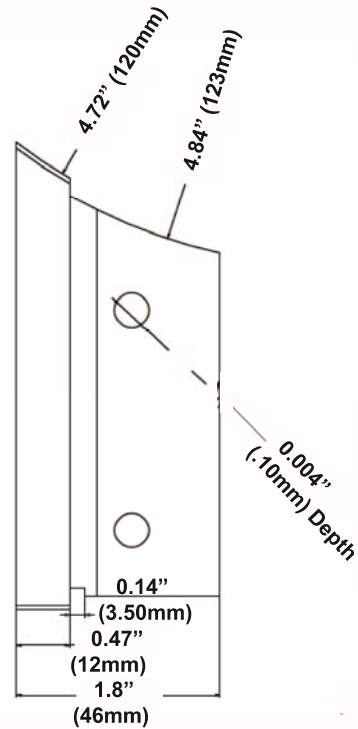
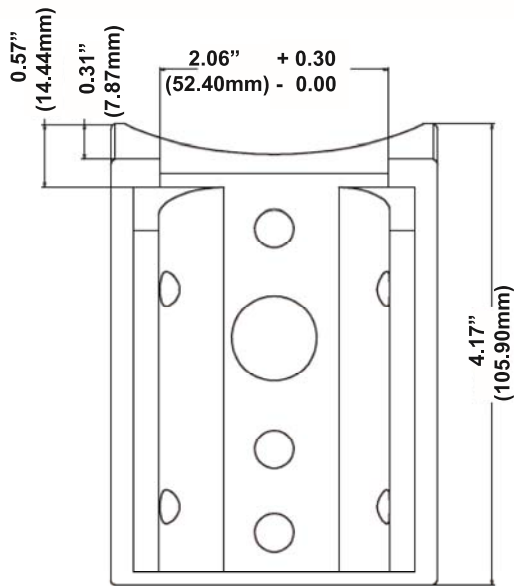


MaxLite® LED Medium Area Light

Installation & Operation

Straight Arm Pole Mounting (Continued):

5" Round Pole Adaptor





MaxLite® LED Medium Area Light

Installation & Operation (Continued)

Slipfitter Mounting:

This fixture can be configured to provide 0 to 60° both upward and downward aiming in 15° increments (see **FIG.7**).

- Connect the power lead properly, Make wiring connection (see **WIRING**) and lay the wires in the pole, insert the slipfitter to the pole(see **FIG.8**).
- Tighten the four M8 bolts on the slipfitter and secure it to the pole (see **FIG.9**).
- To aim the fixture, loosen and adjust the M12 knuckle bolt to right angle, adjust the aim 0 to 60°both upward and downward(see **FIG.10**).
- Inspect installation to ensure fixture is secure.

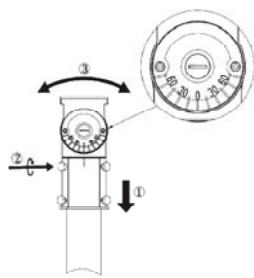


FIG.7

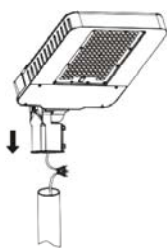


FIG.8

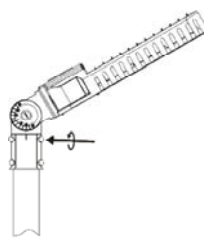


FIG.9

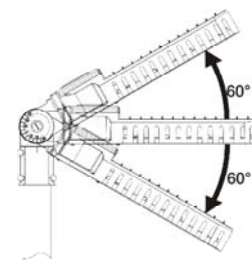


FIG.10

Trunnion Mounting:

This fixture can be configured to mount to the tenon pole or tenon adapter.

- Tighten the fixture to the tenon pole or tenon adapter by two M12 bolts (see **FIG.11**).
- Loosen and adjust the adjusting bolts to the right angle, and the maximum is 60°(see **FIG.12**).
- Make wiring connection (see **WIRING**),
- Inspect installation to ensure fixture is secure.

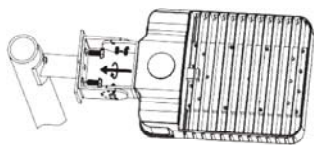


FIG.11

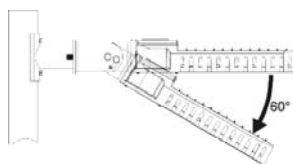


FIG.12