

Premium Area Light QMP Unique Fixture

QuadroMAX Plus is a modular area lighting fixture capable of replacing traditional metal halide solutions from 150W to 750W. Up to six LED modules can be interlocked to create lumen packages from 5,600 to 39,500. QuadroMAX Plus is a premium area lighting fixture with LED modules that interlock to create configurations from 50W to 300W, reaching 39,500+ lumens. Independent modules and drivers enable quick and efficient product maintenance and customization in the field!



PERFORMANCE:

- Available in lumen packages from 5,600 to 39,500 lumens.
- LEDs are rated for greater than 100,000 hour life with calculated lumen maintenance > 90% (L90) at 25°C.
- 0-10V dimmable driver standard available in 120-277V or 347-480V.

DESIGN:

- 20kV Surge Suppression standard
- Field-replaceable driver functionality – head module containing driver can be easily disconnected from fixture and replaced via quick connections.

OPTICS:

- Available in Type II, Type III, Type IV, and Type V optics to allow for a range of asymmetric to symmetric distributions.

CONSTRUCTION:

- Die Cast A380 Aluminum
- Independent LED engine arrays and optics
- High efficiency PC lens optics
- 12" - 18/3 SJTW 3C shielded power feed cord included standard (Power and Control wires)

CONTROLS:

Photo/Motion Sensor: The Wattstopper FSP-211 uses passive infrared (PIR) sensing technology to react to changes in infrared energy (i.e. moving body heat) within the coverage area. This slim, low-profile sensor is designed for installation inside the bottom of a light fixture body and is ideal for outdoor environments. The sensor operates at 120V/230V-240V and single phase 277V. The motion sensor is fully adjustable with dimmed light level options as well as on/off dusk to dawn control. Sensor can be combined with various lenses to operate at mounting heights from 8' to 40'. Factory settings can be adjusted via the FSIR-100, a wireless configuration tool. **Note that the sensor comes with photocell setting disabled and the FSIR-100 must be purchased if photocell functionality is desired.**

RPC or PR7 Options: Allow the use of 3rd party distributed intelligence controllers designed to connect to the fixture via our NEMA standard C136.41 3- or 7-pin twist lock receptacle to provide dimming and On/Off control. Separate Photocontrol options are available, see page 2.

SENSOR DEFAULT SETTINGS:

FACTORY DEFAULTS	
High Mode	10V
Low Mode	1V
Time Delay	5 Min
Cut Off	1 Hr
Sensitivity	Max

MOUNTING:

- Five different mounting options to address three key areas of lighting: flood, area and wall pack applications.

ENVIRONMENT:

- Listed for use in wet locations to UL standards and meet IP66 rating.

PHOTOMETRICS:

Please see page 4 for Iso-footcandle layouts.

OPTIONS:

- NEMA 3-pin and 7-pin photocontrol receptacle
- High/Low/Off PIR fixture-integrated photo/motion sensor compatible with FSIR-100 remote control

FINISHES:

- Satin bronze finish standard

Premium Area Light QMP Unique Fixture

SPECIFICATIONS:

ITEM	SPECIFICATION	DETAILS
GENERAL PERFORMANCE	Color Temperature (CCT)	5000K
	CRI	>70
	Efficacy	up to 131 lpw
	Calculated Lumens Maintenance (L90, TM-21 @ 25°C)	≥ 100,000 hrs
ELECTRICAL	Power Factor	Over 90%
	Input Voltage	120V-277V 50/60 Hz or 347-480V 50/60 Hz
PHYSICAL	Housing	Die cast aluminum with powder coat paint
	Lens	Polycarbonate
	Operating Temperature	-40°C to 50°C (-40°F to 122°F)**
	Dimensions	See PHYSICAL SPECIFICATIONS table on page 3
CERTIFICATION	Certification	DLC 4.2 Premium, UL listed, IP66
	Environment	Wet Location
	Humidity	10% - 90% RH, non condensing
	Warranty	10 years*

*Subject to maximum 12 hours per day operation

**Maximum operating temperature for 150W and 200W models is 40°C (104°F).

MODEL SELECTION Typical order example: QMP-50UT5-50B									
QMP	-	WATTAGE		VOLTAGE	DISTRIBUTION	-	50	B	OPTIONS
FAMILY	-	WATTAGE		VOLTAGE	DISTRIBUTION	-	CCT	FINISH	OPTIONS
QMP	-	50= 24 LEDs, 50W, 150W MH equiv.	U= 120-277V	T2= Type II	-	50= 5000K	BMZ	(BLANK)= None	
		100= 48 LEDs, 100W, 250W MH equiv.	H= 347-480V	T3= Type III				MS= Photo/Motion Sensor	
		150= 72 LEDs, 150W, 320W PSMH equiv.		T4= Type IV				RPC= NEMA 3-Pin Photocell Receptacle	
		200= 96 LEDs, 200W, 400W MH equiv.		T5= Type V				PR7= NEMA 7-Pin Photocell Receptacle	
		250= 120 LEDs, 270W, 400W PSMH equiv.							
		300= 144 LEDs, 317W, 750W PSMH equiv.							

MOUNTINGS¹:

EXAMPLE: QMP-PM-B			
FAMILY	-	MOUNTING	FINISH
QMP	-	PM= Pole Mount ² SK= Slipfitter Knuckle KS= Knuckle Surface TS= Trunnion Swivel WP= Wall Pack	BMZ

HOUSE SIDE SHIELD:

EXAMPLE: QMP-50HS-B				
FAMILY	-	MOUNTING	ACCESSORY	FINISH
QMP	-	50= 50W 100= 100W 150= 150W 200= 200W 250= 250W	HS= House Side Shield	BMZ

NOTES:

1. Mounting options sold separately.
2. Pole mount comes with a 4" round pole adaptor standard.

ACCESSORIES:

ITEM ACCESSORY	ITEM NAME	ITEM DESCRIPTION
Photocontrols	6390LBK	Twist-Lock Electronic Photocontrol 120/208/240/277V
	6394LL	Twist-Lock Electronic Photocontrol 432-528VAC
Round Pole Adapters	QMP-3RPA-B	3" ROUND POLE ADAPTER FOR QMP-PM SERIES, TO BE USED WITH POLE MOUNT, BRONZE
	QMP-5RPA-B	5" ROUND POLE ADAPTER FOR QMP-PM SERIES, TO BE USED WITH POLE MOUNT, BRONZE
Remote Control	FSIR-100	Remote Hand-held Configuration Tool

Premium Area Light QMP Unique Fixture

EPA SPECIFICATIONS:

EFFECTIVE PROJECTED AREA (EPA) IN SQ. FT [SINGLE FIXTURE]									
FIXTURE TILT/AIMING ANGLE									
MODEL NUMBER	10°	20°	30°	40°	50°	60°	70°	80°	90°
QMP-50	0.47	0.71	0.92	1.11	1.27	1.40	1.49	1.54	1.54
QMP-100	0.54	0.84	1.12	1.37	1.57	1.74	1.86	1.93	1.94
QMP-150	0.61	0.98	1.32	1.62	1.87	2.08	2.23	2.31	2.34
QMP-200	0.67	1.11	1.51	1.87	2.18	2.43	2.60	2.70	2.73
QMP-250	0.77	1.31	1.80	2.24	2.61	2.92	3.14	3.26	3.30
QMP-300	0.86	1.44	1.99	2.49	2.91	3.26	3.51	3.65	3.69

PHYSICAL SPECIFICATIONS:

MAIN BODY FIXTURE				
MODEL NUMBER	LENGTH	WIDTH	HEIGHT	WEIGHT
QMP-50	14.26"	13.35"	2.57"	19.8 lbs (9.0kg)
QMP-100	17.90"	13.35"	2.57"	25.4 lbs (12kg)
QMP-150	21.54"	13.35"	2.57"	28.7 lbs (13kg)
QMP-200	25.18"	13.35"	2.57"	33.1 lbs (15kg)
QMP-250	28.82"	13.35"	2.57"	39.7 lbs (18kg)
QMP-300	32.46"	13.35"	2.57"	44.1 lbs (20kg)

PHOTOMETRIC PERFORMANCE:

MODEL NUMBER	INPUT POWER	T3	T4	T5
		LUMENS	LUMENS	LUMENS
QMP-50	50W	5,690	5,615	5,900
QMP-100	100W	11,810	11,700	12,275
QMP-150	150W	17,475	17,165	18,135
QMP-200	200W	24,285	23,180	23,340
QMP-250	270W	32,285	31,840	33,485
QMP-300	317W	38,040	37,315	39,505

BACKLIGHT, UPLIGHT, AND GLARE RATINGS:

MODEL NUMBER	T3			T4			T5		
	B	U	G	B	U	G	B	U	G
QMP-50	B2	U1	G1	B1	U1	G1	B3	U1	G1
QMP-100	B3	U2	G2	B2	U2	G2	B3	U2	G2
QMP-150	B3	U2	G2	B3	U2	G2	B4	U2	G2
QMP-200	B4	U2	G2	B3	U2	G3	B3	U2	G3
QMP-250	B4	U2	G3	B3	U3	G3	B5	U2	G3
QMP-300	B4	U3	G3	B4	U3	G4	B5	U3	G3

Premium Area Light QMP Unique Fixture

ISOFOOTCANDLE:

Each gridline represents one mounting height.

For mounting heights other than noted multiply FC by the below factor.

$$\text{Factor} = \frac{(\text{Chart's Mtg Height})^2}{(\text{Actual Mtg Height})^2}$$

LEGEND

- 0.25 fc
- 0.5 fc
- 1 fc
- 2 fc
- 5 fc

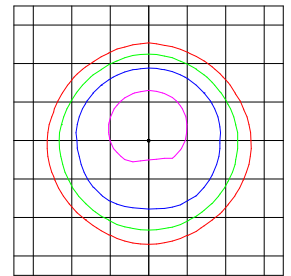
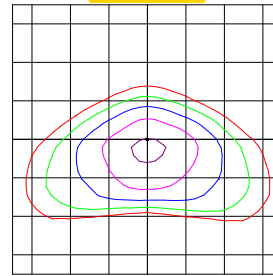
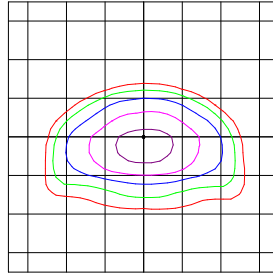
TYPE III

TYPE IV

TYPE V

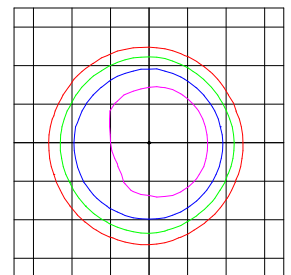
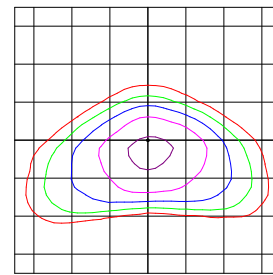
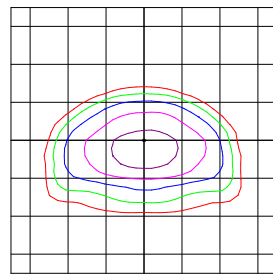
50 WATT

15 ft mounting height



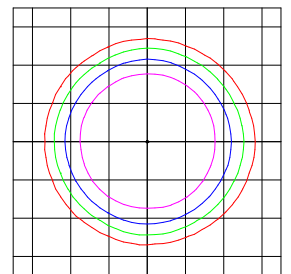
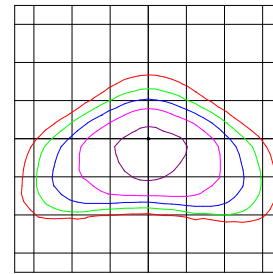
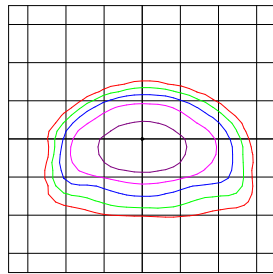
100 WATT

20 ft mounting height



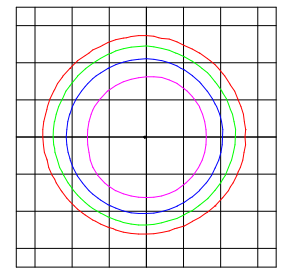
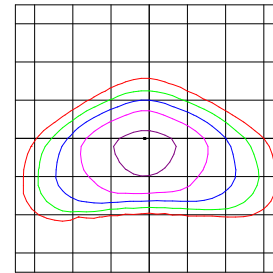
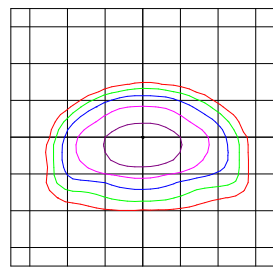
150 WATT

20 ft mounting height



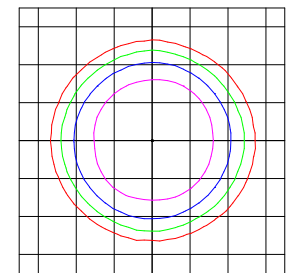
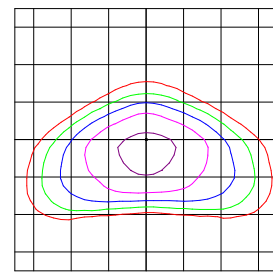
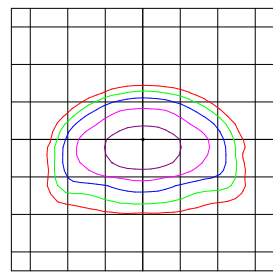
200 WATT

25 ft mounting height



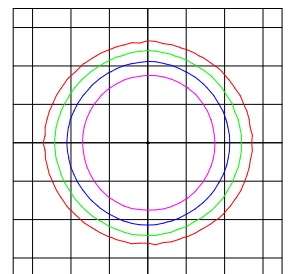
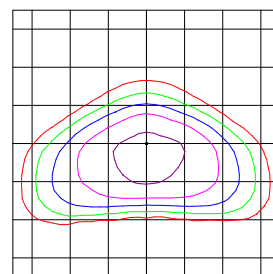
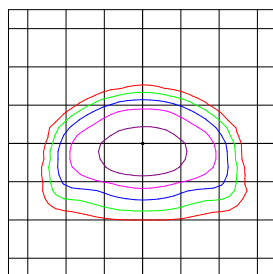
250 WATT

30 ft mounting height



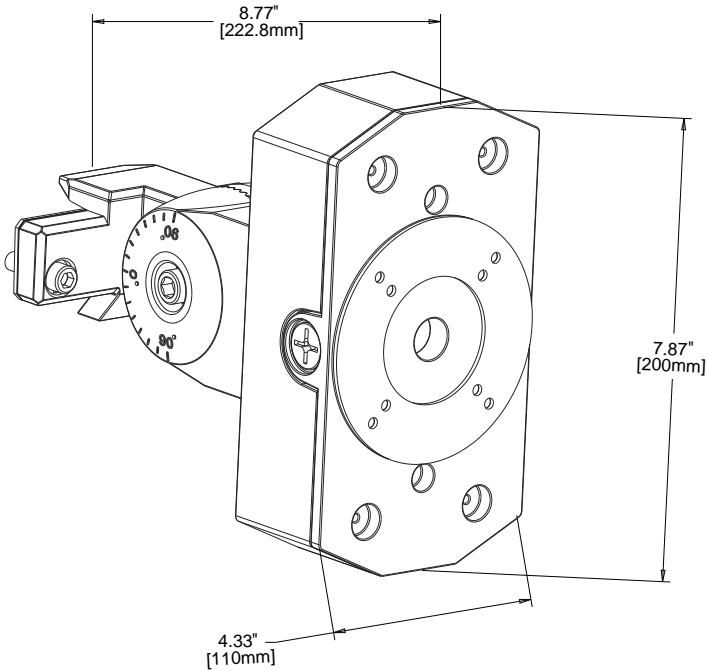
300 WATT

30 ft mounting height

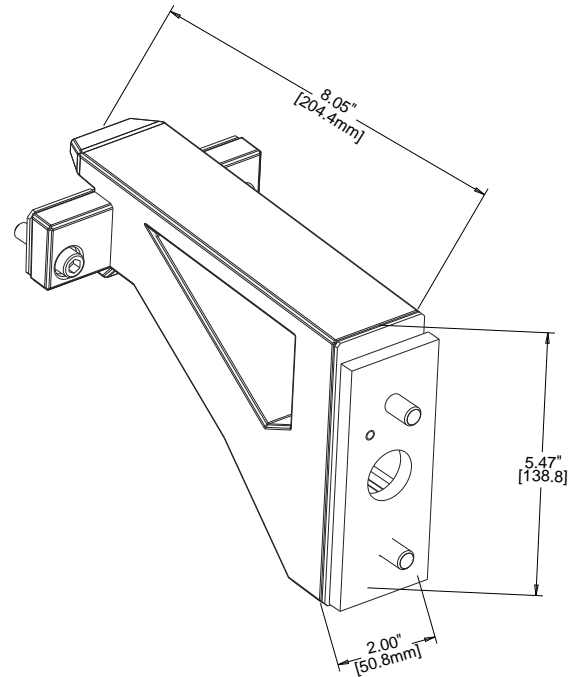


Premium Area Light QMP Unique Fixture

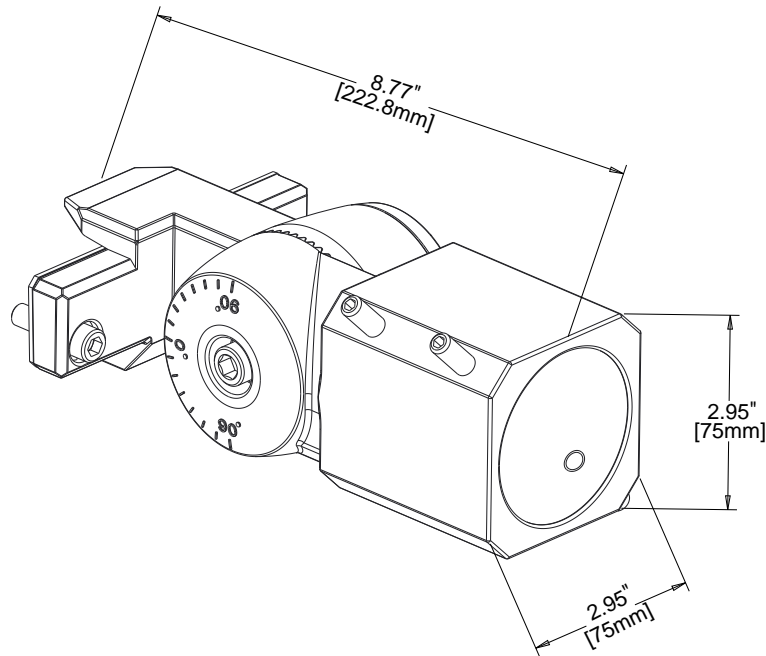
MOUNTING ENGINEERING DRAWINGS:



KNUCKLE SURFACE MOUNT
QMP-KS



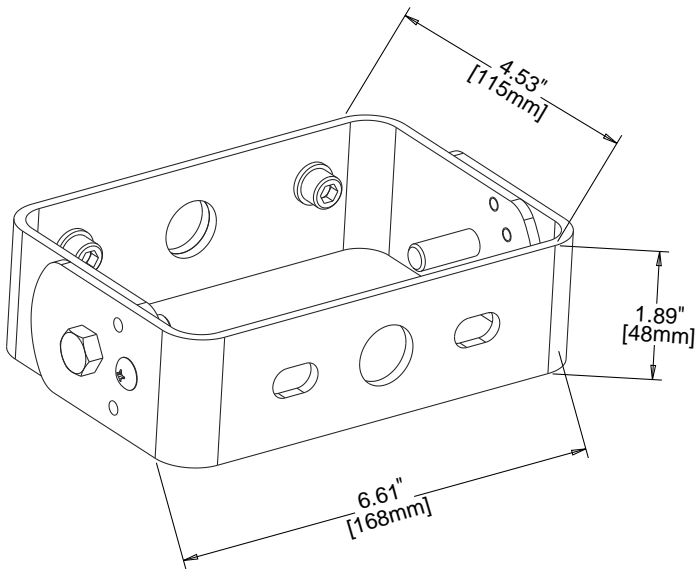
POLE MOUNT
QMP-PM



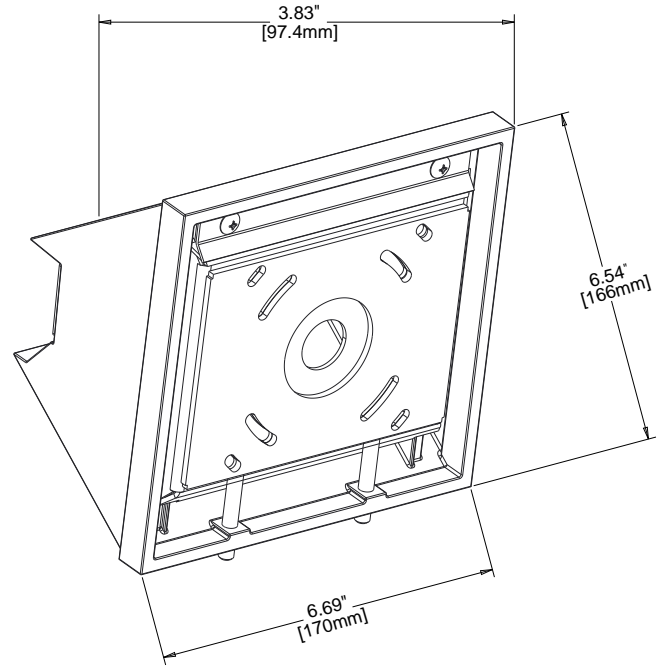
SLIPFITTER MOUNT
QMP-SK

Premium Area Light QMP Unique Fixture

MOUNTING ENGINEERING DRAWINGS:



TRUNNION SWIVEL MOUNT
QMP-TS



WALL PACK MOUNT
QMP-WP