

Premium Area Light QMP Unique Fixture

QuadroMAX Plus is a modular area lighting fixture capable of replacing traditional metal halide solutions from 150W to 750W. Up to six LED modules can be interlocked to create lumen packages from 5,600 to 39,500. QuadroMAX Plus is a premium area lighting fixture with LED modules that interlock to create configurations from 50W to 300W, reaching 39,500+ lumens. Independent modules and drivers enable quick and efficient product maintenance and customization in the field!



PERFORMANCE:

- Available in lumen packages from 5,600 to 39,500 lumens.
- LEDs are rated for greater than 100,000 hour life with calculated lumen maintenance > 90% (L90) at 25°C.
- 0-10V dimmable driver standard available in 120-277V or 347-480V.

DESIGN:

- 20kV Surge Suppression standard
- Field-replaceable driver functionality – head module containing driver can be easily disconnected from fixture and replaced via quick connections.

OPTICS:

- Available in Type II, Type III, Type IV, and Type V optics to allow for a range of asymmetric to symmetric distributions.

CONSTRUCTION:

- Die Cast A380 Aluminum
- Independent LED engine arrays and optics
- High efficiency PC lens optics
- 12" - 18/3 SJTW 3C shielded power feed cord included standard (Power and Control wires)

CONTROLS:

Photo/Motion Sensor: The Wattstopper FSP-211 uses passive infrared (PIR) sensing technology to react to changes in infrared energy (i.e. moving body heat) within the coverage area. This slim, low-profile sensor is designed for installation inside the bottom of a light fixture body and is ideal for outdoor environments. The sensor operates at 120V/230V-240V and single phase 277V. The motion sensor is fully adjustable with dimmed light level options as well as on/off dusk to dawn control. Sensor can be combined with various lenses to operate at mounting heights from 8' to 40'. Factory settings can be adjusted via the FSIR-100, a wireless configuration tool. **Note that the sensor comes with photocell setting disabled and the FSIR-100 must be purchased if photocell functionality is desired.**

RPC or PR7 Options: Allow the use of 3rd party distributed intelligence controllers designed to connect to the fixture via our NEMA standard C136.41 3- or 7-pin twist lock receptacle to provide dimming and On/Off control. Separate Photocontrol options are available, see page 2.

SENSOR DEFAULT SETTINGS:

| FACTORY DEFAULTS | |
|------------------|-------|
| High Mode | 10V |
| Low Mode | 1V |
| Time Delay | 5 Min |
| Cut Off | 1 Hr |
| Sensitivity | Max |

MOUNTING:

- Five different mounting options to address three key areas of lighting: flood, area and wall pack applications.

ENVIRONMENT:

- Listed for use in wet locations to UL standards and meet IP66 rating.

PHOTOMETRICS:

Please see page 4 for Iso-footcandle layouts.

OPTIONS:

- NEMA 3-pin and 7-pin photocontrol receptacle
- High/Low/Off PIR fixture-integrated photo/motion sensor compatible with FSIR-100 remote control

FINISHES:

- Satin bronze finish standard

Premium Area Light QMP Unique Fixture

SPECIFICATIONS:

| ITEM | SPECIFICATION | DETAILS |
|----------------------------|---|---|
| GENERAL PERFORMANCE | Color Temperature (CCT) | 5000K |
| | CRI | >70 |
| | Efficacy | up to 131 lpw |
| | Calculated Lumens Maintenance (L90, TM-21 @ 25°C) | ≥ 100,000 hrs |
| ELECTRICAL | Power Factor | Over 90% |
| | Input Voltage | 120V-277V 50/60 Hz or 347-480V 50/60 Hz |
| PHYSICAL | Housing | Die cast aluminum with powder coat paint |
| | Lens | Polycarbonate |
| | Operating Temperature | -40°C to 50°C (-40°F to 122°F)** |
| | Dimensions | See PHYSICAL SPECIFICATIONS table on page 3 |
| CERTIFICATION | Weight | See PHYSICAL SPECIFICATIONS table on page 3 |
| | Certification | UL listed, IP66 |
| | Environment | Wet Location |
| | Humidity | 10% - 90% RH, non condensing |
| | Warranty | 10 years* |

*Subject to maximum 12 hours per day operation

**Maximum operating temperature for 150W and 200W models is 40°C (104°F).

| MODEL SELECTION Typical order example: QMP-50UT5-50B | | | | | | | | |
|--|---|--|--|--|---|------------------|------------|--|
| QMP | - | | | | - | 50 | B | |
| FAMILY | - | WATTAGE | VOLTAGE | DISTRIBUTION | - | CCT | FINISH | OPTIONS |
| QMP | - | 50= 24 LEDs, 50W, 150W MH equiv. 100= 48 LEDs, 100W, 250W MH equiv. 150= 72 LEDs, 150W, 320W PSMH equiv. 200= 96 LEDs, 200W, 400W MH equiv. 250= 120 LEDs, 270W, 400W PSMH equiv. 300= 144 LEDs, 317W, 750W PSMH equiv. | U= 120-277V H= 347-480V | T2= Type II T3= Type III T4= Type IV T5= Type V | - | 50= 5000K | BMZ | (BLANK)= None MS= Photo/Motion Sensor RPC= NEMA 3-Pin Photocell Receptacle PR7= NEMA 7-Pin Photocell Receptacle |

MOUNTINGS¹:

| EXAMPLE: QMP-PM-B | | | |
|-------------------|---|---|------------|
| FAMILY | - | MOUNTING | FINISH |
| QMP | - | PM= Pole Mount ² SK= Slipfitter Knuckle KS= Knuckle Surface TS= Trunnion Swivel WP= Wall Pack | BMZ |

HOUSE SIDE SHIELD:

| EXAMPLE: QMP-50HS-B | | | | |
|---------------------|---|--|------------------------------|------------|
| FAMILY | - | MOUNTING | ACCESSORY | FINISH |
| QMP | - | 50= 50W 100= 100W 150= 150W 200= 200W 250= 250W | HS= House Side Shield | BMZ |

NOTES:

1. Mounting options sold separately.
2. Pole mount comes with a 4" round pole adaptor standard.

ACCESSORIES:

| ITEM ACCESSORY | ITEM NAME | ITEM DESCRIPTION |
|---------------------|------------|---|
| Photocontrols | 6390LBK | Twist-Lock Electronic Photocontrol 120/208/240/277V |
| | 6394LL | Twist-Lock Electronic Photocontrol 432-528VAC |
| Round Pole Adapters | QMP-3RPA-B | 3" ROUND POLE ADAPTER FOR QMP-PM SERIES, TO BE USED WITH POLE MOUNT, BRONZE |
| | QMP-5RPA-B | 5" ROUND POLE ADAPTER FOR QMP-PM SERIES, TO BE USED WITH POLE MOUNT, BRONZE |
| Remote Control | FSIR-100 | Remote Hand-held Configuration Tool |

Premium Area Light QMP Unique Fixture

EPA SPECIFICATIONS:

| EFFECTIVE PROJECTED AREA (EPA) IN SQ. FT [SINGLE FIXTURE] | | | | | | | | | |
|---|------|------|------|------|------|------|------|------|------|
| FIXTURE TILT/AIMING ANGLE | | | | | | | | | |
| MODEL NUMBER | 10° | 20° | 30° | 40° | 50° | 60° | 70° | 80° | 90° |
| QMP-50 | 0.47 | 0.71 | 0.92 | 1.11 | 1.27 | 1.40 | 1.49 | 1.54 | 1.54 |
| QMP-100 | 0.54 | 0.84 | 1.12 | 1.37 | 1.57 | 1.74 | 1.86 | 1.93 | 1.94 |
| QMP-150 | 0.61 | 0.98 | 1.32 | 1.62 | 1.87 | 2.08 | 2.23 | 2.31 | 2.34 |
| QMP-200 | 0.67 | 1.11 | 1.51 | 1.87 | 2.18 | 2.43 | 2.60 | 2.70 | 2.73 |
| QMP-250 | 0.77 | 1.31 | 1.80 | 2.24 | 2.61 | 2.92 | 3.14 | 3.26 | 3.30 |
| QMP-300 | 0.86 | 1.44 | 1.99 | 2.49 | 2.91 | 3.26 | 3.51 | 3.65 | 3.69 |

PHYSICAL SPECIFICATIONS:

| MAIN BODY FIXTURE | | | | |
|-------------------|--------|--------|--------|------------------|
| MODEL NUMBER | LENGTH | WIDTH | HEIGHT | WEIGHT |
| QMP-50 | 14.26" | 13.35" | 2.57" | 19.8 lbs (9.0kg) |
| QMP-100 | 17.90" | 13.35" | 2.57" | 25.4 lbs (12kg) |
| QMP-150 | 21.54" | 13.35" | 2.57" | 28.7 lbs (13kg) |
| QMP-200 | 25.18" | 13.35" | 2.57" | 33.1 lbs (15kg) |
| QMP-250 | 28.82" | 13.35" | 2.57" | 39.7 lbs (18kg) |
| QMP-300 | 32.46" | 13.35" | 2.57" | 44.1 lbs (20kg) |

PHOTOMETRIC PERFORMANCE:

| MODEL NUMBER | INPUT POWER | T3 | T4 | T5 |
|----------------|-------------|--------|--------|--------|
| | | LUMENS | LUMENS | LUMENS |
| QMP-50 | 50W | 5,690 | 5,615 | 5,900 |
| QMP-100 | 100W | 11,810 | 11,700 | 12,275 |
| QMP-150 | 150W | 17,475 | 17,165 | 18,135 |
| QMP-200 | 200W | 24,285 | 23,180 | 23,340 |
| QMP-250 | 270W | 32,285 | 31,840 | 33,485 |
| QMP-300 | 317W | 38,040 | 37,315 | 39,505 |

BACKLIGHT, UPLIGHT, AND GLARE RATINGS:

| MODEL NUMBER | T3 | | | T4 | | | T5 | | |
|----------------|----|----|----|----|----|----|----|----|----|
| | B | U | G | B | U | G | B | U | G |
| QMP-50 | B2 | U1 | G1 | B1 | U1 | G1 | B3 | U1 | G1 |
| QMP-100 | B3 | U2 | G2 | B2 | U2 | G2 | B3 | U2 | G2 |
| QMP-150 | B3 | U2 | G2 | B3 | U2 | G2 | B4 | U2 | G2 |
| QMP-200 | B4 | U2 | G2 | B3 | U2 | G3 | B3 | U2 | G3 |
| QMP-250 | B4 | U2 | G3 | B3 | U3 | G3 | B5 | U2 | G3 |
| QMP-300 | B4 | U3 | G3 | B4 | U3 | G4 | B5 | U3 | G3 |

Premium Area Light QMP Unique Fixture

ISOFOOTCANDLE:

Each gridline represents one mounting height.

For mounting heights other than noted multiply FC by the below factor.

$$\text{Factor} = \frac{(\text{Chart's Mtg Height})^2}{(\text{Actual Mtg Height})^2}$$

LEGEND

- 0.25 fc
- 0.5 fc
- 1 fc
- 2 fc
- 5 fc

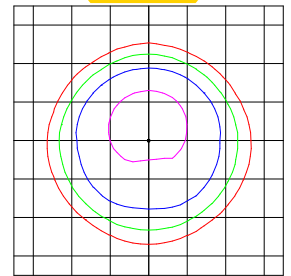
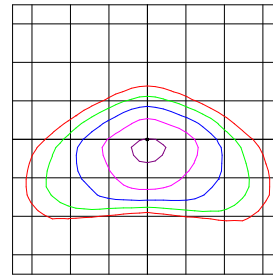
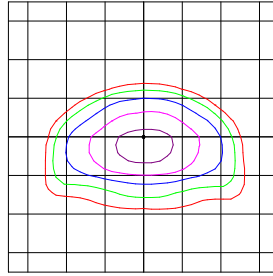
TYPE III

TYPE IV

TYPE V

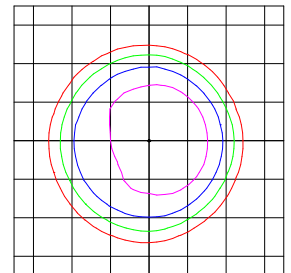
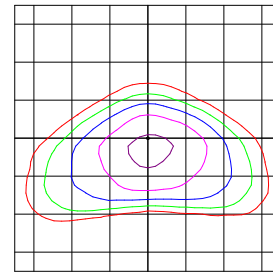
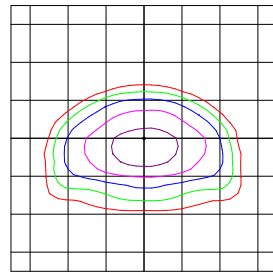
50 WATT

15 ft mounting height



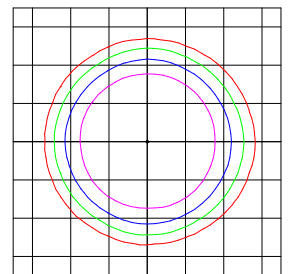
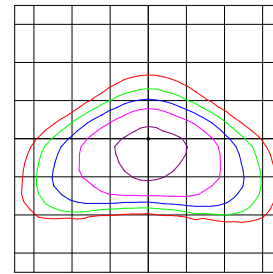
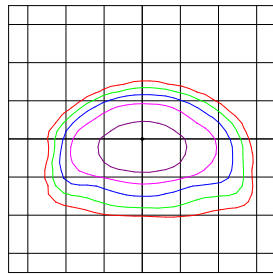
100 WATT

20 ft mounting height



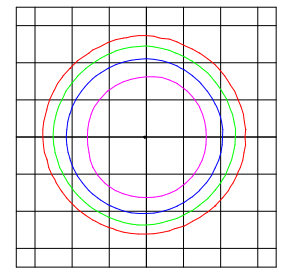
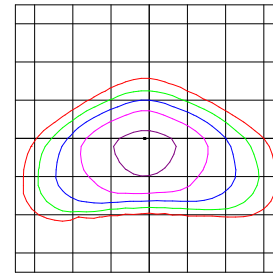
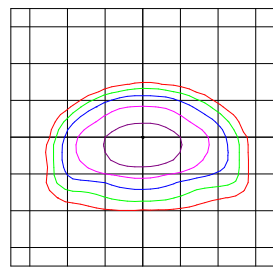
150 WATT

20 ft mounting height



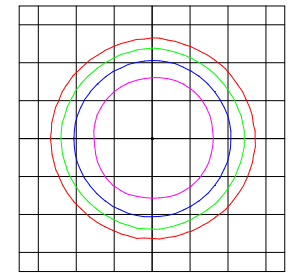
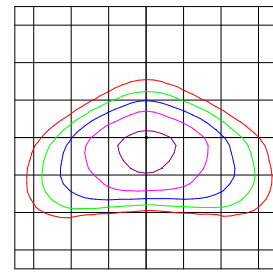
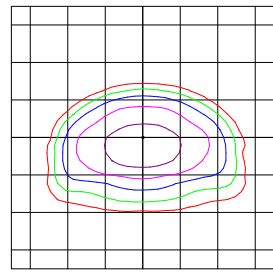
200 WATT

25 ft mounting height



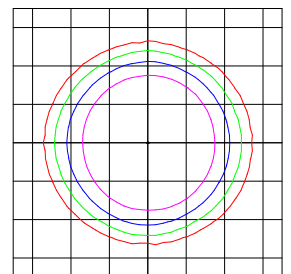
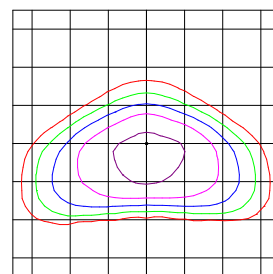
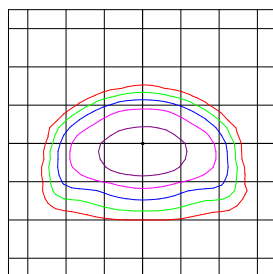
250 WATT

30 ft mounting height



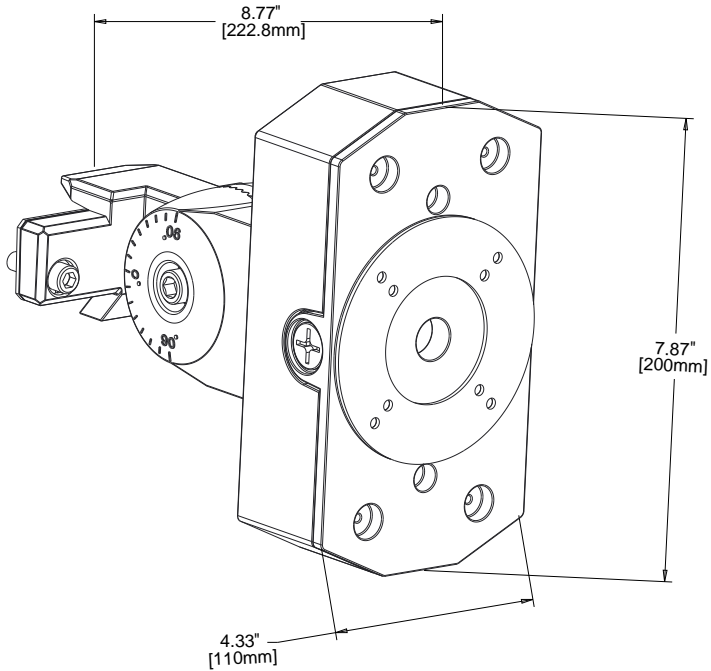
300 WATT

30 ft mounting height

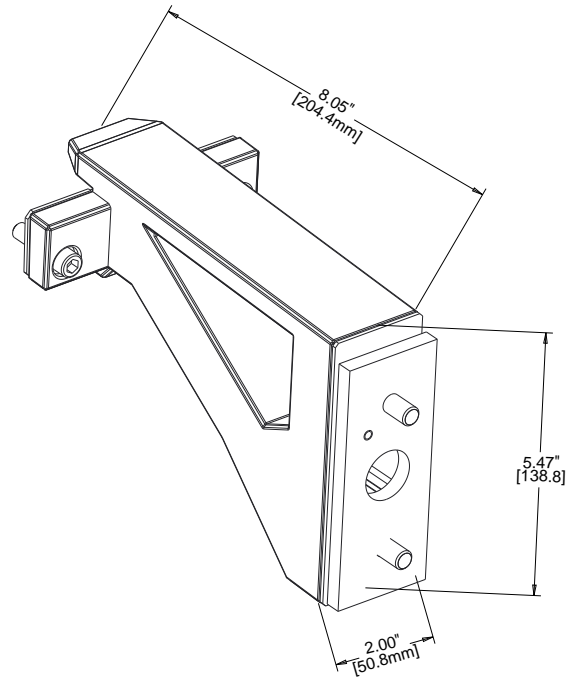


Premium Area Light QMP Unique Fixture

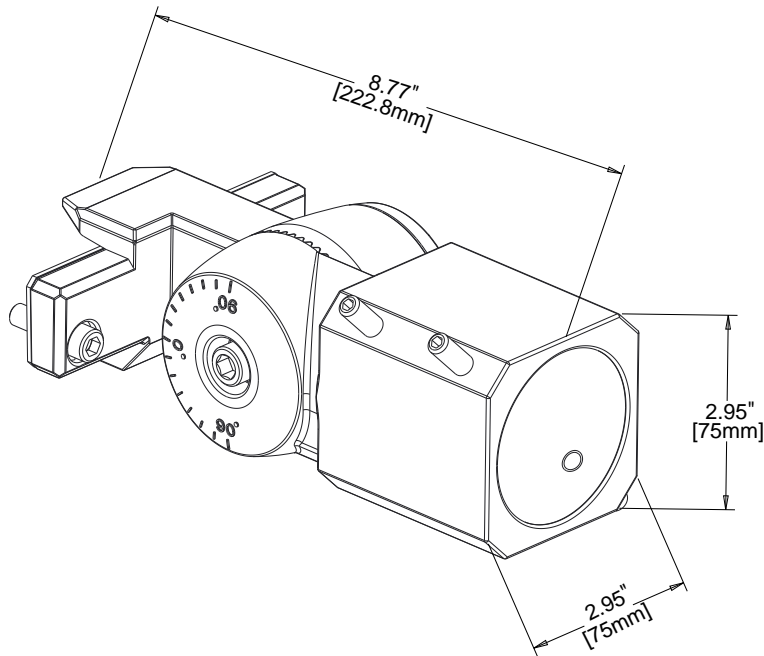
MOUNTING ENGINEERING DRAWINGS:



KNUCKLE SURFACE MOUNT
QMP-KS



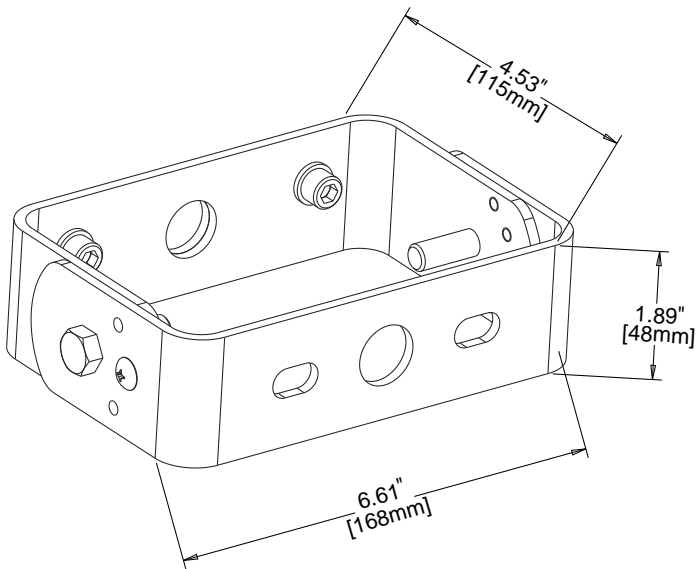
POLE MOUNT
QMP-PM



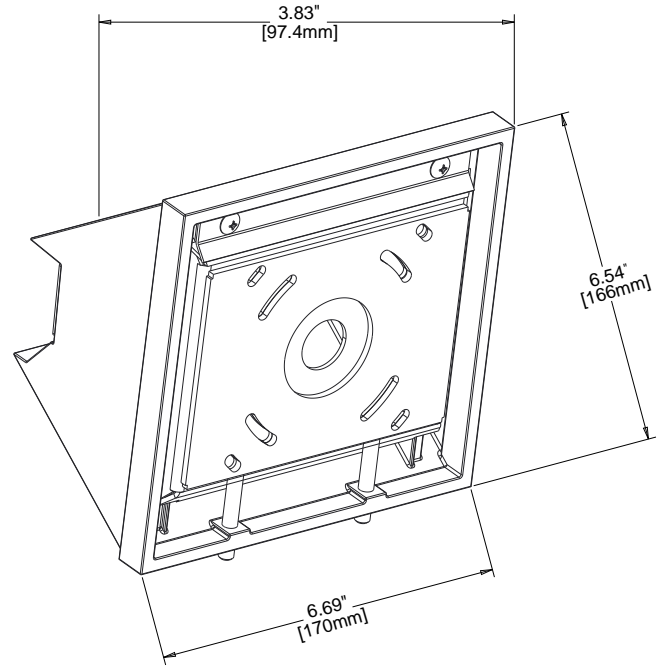
SLIPFITTER MOUNT
QMP-SK

Premium Area Light QMP Unique Fixture

MOUNTING ENGINEERING DRAWINGS:



TRUNNION SWIVEL MOUNT
QMP-TS



WALL PACK MOUNT
QMP-WP