



MaxLite® StaxMAX LED Flood Lights

General Safety Information

- To reduce the risk of death, personal injury or property damage from fire, electric shock, falling parts, cuts/abrasions, and other hazards read all warnings and instructions included with and on the fixture box and all fixture labels.
- Before installing, servicing, or performing routine maintenance upon this equipment, follow these general precautions.
- Commercial installation, service and maintenance of luminaires should be performed by a qualified licensed electrician.
- DO NOT INSTALL DAMAGED PRODUCT!
- This fixture is intended to be connected to a properly installed and grounded UL listed junction box.



Picture is for illustration purposes only. Your model may vary.



WARNING:

RISK OF ELECTRICALSHOCK

- Turn off electrical power at fuse or circuit breaker box before wiring fixture to the power supply.
- Turn off the power when you perform any maintenance.
- Verify that supply voltage is correct by comparing it with the luminaire label information.
- Make all electrical and grounded connections in accordance with the National Electrical Code and any applicable local code requirements.
- All wiring connections should be capped with UL approved wire connectors.

CAUTION:

RISK OF INJURY

- Wear gloves and safety glasses at all times when removing luminaire from carton, installing, servicing or performing maintenance.
- Avoid direct eye exposure to the light source while it is on.
- Account for small parts and destroy packing material, as these may be hazardous to children.

CAUTION:

RISK OF FIRE

- Keep combustible and other materials that can burn away from luminaire and lamp/lens.
- MIN 90°C SUPPLY CONDUCTORS.

Input Rating:120V-277V 50/60Hz (347/480v optional)

Wet Location Rated:P65

Operating Temperature:-22°F to 122°F



MaxLite® StaxMAX LED Flood Lights

Single Head Wiring:

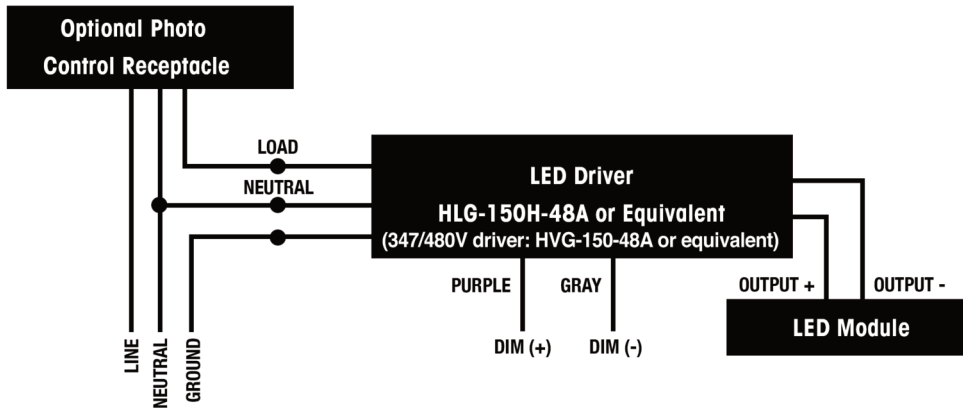
⚠ WARNING

CAUTION: Turn off electrical power at fuse or circuit breaker box before wiring fixture to the power supply.

1. Connect the black fixture wire to the (+) LINE supply wire.
2. Connect the white fixture wire to the (-) COMMON supply wire.
3. Connect the green fixture wire to supply ground wire.

0-10V Dimmable Wiring

1. Connect the black fixture wire to the HOT LINE supply wire.
2. Connect the white fixture wire to the NEUTRAL supply wire.
3. Connect the green fixture wire to supply ground wire.
4. Connect the purple fixture wire to the (V+) DIM wire.
5. Connect the gray fixture wire to the (V-) DIM wire.



Driver Replacements: Contact your local MaxLite® representative or MaxLite® to receive replacements for drivers.

Step 1: Disconnect the power by turning off the circuit breaker or by removing the appropriate fuse at the fuse box. *Turning the power off using the light switch is not sufficient to prevent electrical shock.

Step 2: Disconnect the black LED Module connector to disconnect Module from driver.

Step 3: Remove four (4) screws and front plate from connector box to expose wire connections.

Step 4: Disconnect all wiring connections.

Step 5: Loosen up nylon liquid tight strain relief fitting to remove driver cord.

Step 6: Unscrew two (2) screws to remove driver cover.

Step 7: Remove four (4) screws to dismount driver from driver plate.

Step 8: Remove screw for strain relief clip attached to mounting bracket of driver plate.

Step 9: Replace with new driver.

Step 10: Reverse steps 9 to 3 to assemble fixture.

Step 11: Restore Power.



MaxLite® StaxMAX LED Flood Lights

Double Head Wiring:

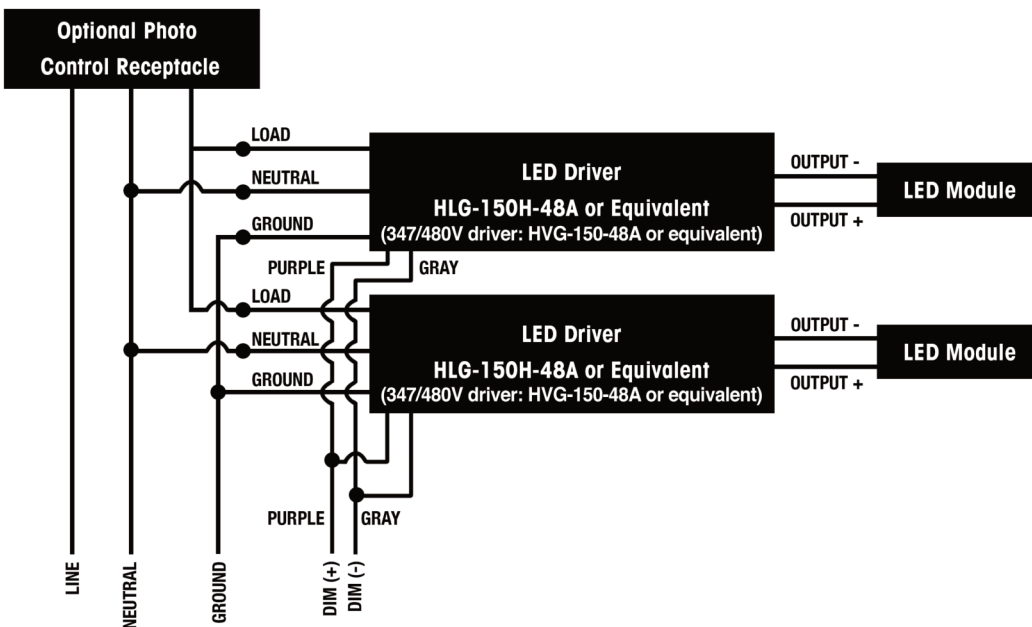
⚠ WARNING

CAUTION: Turn off electrical power at fuse or circuit breaker box before wiring fixture to the power supply.

1. Connect the black fixture wire to the (+) LINE supply wire.
2. Connect the white fixture wire to the (-) COMMON supply wire.
3. Connect the green fixture wire to supply ground wire.

0-10V Dimmable Wiring

1. Connect the black fixture wire to the HOT LINE supply wire.
2. Connect the white fixture wire to the NEUTRAL supply wire.
3. Connect the green fixture wire to supply ground wire.
4. Connect the purple fixture wire to the (V+) DIM wire.
5. Connect the gray fixture wire to the (V-) DIM wire.



Driver Replacements: Contact your local MaxLite® representative or MaxLite® to receive replacements for drivers.

Step 1: Disconnect the power by turning off the circuit breaker or by removing the appropriate fuse at the fuse box. *Turning the power off using the light switch is not sufficient to prevent electrical shock.

Step 2: Disconnect the black LED Module connector to disconnect Module from driver.

Step 3: Remove four (4) screws and front plate from connector box to expose wire connections.

Step 4: Disconnect all wiring connections.

Step 5: Loosen up nylon liquid tight strain relief fitting to remove driver cord.

Step 6: Unscrew two (2) screws to remove driver cover.

Step 7: Remove four (4) screws to dismount driver from driver plate.

Step 8: Remove screw for strain relief clip attached to mounting bracket of driver plate.

Step 9: Replace with new driver.

Step 10: Reverse steps 9 to 3 to assemble fixture.

Step 11: Restore Power.



MaxLite® StaxMAX LED Flood Lights

Triple Head Wiring:

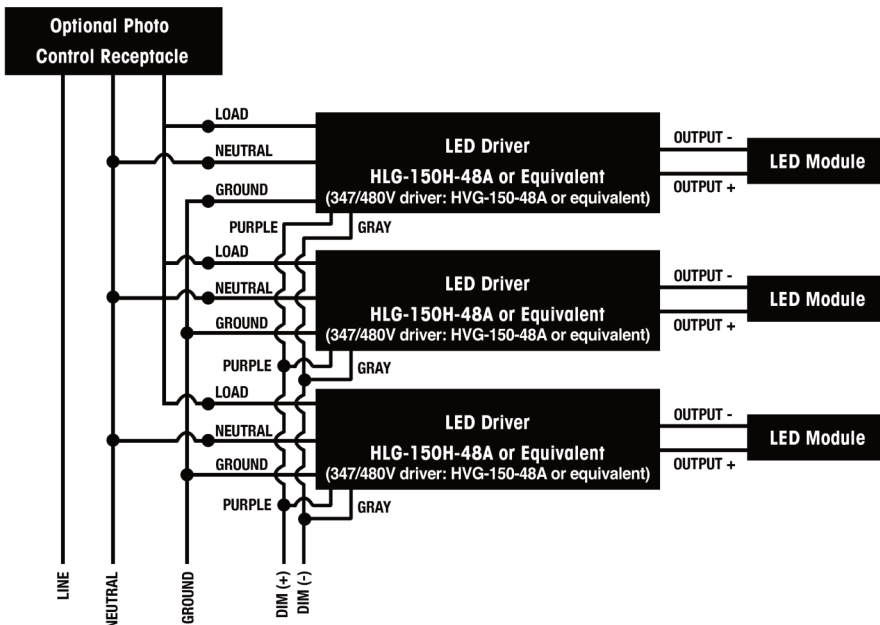
⚠ WARNING

CAUTION: Turn off electrical power at fuse or circuit breaker box before wiring fixture to the power supply.

1. Connect the black fixture wire to the (+) LINE supply wire.
2. Connect the white fixture wire to the (-) COMMON supply wire.
3. Connect the green fixture wire to supply ground wire.

0-10V Dimmable Wiring

1. Connect the black fixture wire to the HOT LINE supply wire.
2. Connect the white fixture wire to the NEUTRAL supply wire.
3. Connect the green fixture wire to supply ground wire.
4. Connect the purple fixture wire to the (V+) DIM wire.
5. Connect the gray fixture wire to the (V-) DIM wire.



Driver Replacements: Contact your local MaxLite® representative or MaxLite® to receive replacements for drivers.

- | | |
|--|---|
| <p>Step 1: Disconnect the power by turning off the circuit breaker or by removing the appropriate fuse at the fuse box. *Turning the power off using the light switch is not sufficient to prevent electrical shock.</p> <p>Step 2: Disconnect the black LED Module connector to disconnect Module from driver.</p> <p>Step 3: Remove four (4) screws and front plate from connector box to expose wire connections.</p> <p>Step 4: Disconnect all wiring connections.</p> <p>Step 5: Loosen up nylon liquid tight strain relief fitting to remove driver cord.</p> | <p>Step 6: Unscrew two (2) screws to remove driver cover.</p> <p>Step 7: Remove four (4) screws to dismount driver from driver plate.</p> <p>Step 8: Remove screw for strain relief clip attached to mounting bracket of driver plate.</p> <p>Step 9: Replace with new driver.</p> <p>Step 10: Reverse steps 9 to 3 to assemble fixture.</p> <p>Step 11: Restore Power.</p> |
|--|---|



MaxLite® StaxMAX LED Flood Lights

Warranty Information

MaxLite Inc. warrants its products for a minimum period of **FIVE (5)** years from the date of original purchase from MaxLite or its authorized distributor/dealer (the "Warranty Period"), as follows: If a Product fails to operate during the Warranty Period as a result of defects in materials or workmanship, MaxLite will, at its option, repair it, replace it with the same or like Product.

Please refer to Maxlite's website for the complete terms and conditions of our warranty.

Limitation of Liability

THE FOREGOING WARRANTY IS EXCLUSIVE, AND IS THE SOLE REMEDY FOR ANY AND ALL CLAIMS, WHETHER IN CONTRACT, IN TORT OR OTHERWISE ARISING FROM THE FAILURE OF PRODUCT AND IS IN LIEU OF ALL OTHER WARRANTIES, EXPRESS OR IMPLIED, INCLUDING ALL WARRANTIES OF MERCHANTABILITY OR FITNESS FOR A PARTICULAR PURPOSE, WHICH WARRANTIES ARE HEREBY EXPRESSLY DISCLAIMED TO THE EXTENT PERMITTED BY LAW AND, IN ANY EVENT, SHALL BE LIMITED TO THE WARRANTY PERIOD SPECIFIED ABOVE. THE LIABILITY OF MAXLITE SHALL BE LIMITED TO THE TERMS OF THE EXPRESS WARRANTY SET FORTH HEREIN. IN NO EVENT WILL MAXLITE BE LIABLE FOR ANY SPECIAL, INCIDENTAL OR CONSEQUENTIAL DAMAGES INCLUDING, WITHOUT LIMITATION, DAMAGES RESULTING FROM LOSS OF USE, PROFITS, BUSINESS OR GOODWILL, LABOR COSTS, REMOVAL OR INSTALLATION COSTS, DECREASE IN THE LIGHT OUTPUT OF THE LAMP, AND/OR DETERIORATION IN THE LAMP'S PERFORMANCE, WHETHER OR NOT MAXLITE HAS BEEN ADVISED OF THE POSSIBILITY THEREOF. UNDER NO CIRCUMSTANCES SHALL MAXLITE'S ENTIRE LIABILITY FOR A DEFECTIVE PRODUCT EXCEED THE PURCHASE PRICE OF THAT PRODUCT. WARRANTY SERVICES PROVIDED UNDER THESE TERMS AND CONDITIONS DO NOT ENSURE THE UNINTERRUPTED OPERATION OF PRODUCTS; MAXLITE SHALL NOT BE LIABLE FOR DAMAGES CAUSED BY ANY DELAYS INVOLVING WARRANTY SERVICE.

This Limited Warranty gives you specific legal rights and you may also have other rights that may vary from state to state. Because some states or jurisdictions do not allow the exclusion or limitation of liability for consequential or incidental damages, this limitation may not apply to you.