

HIGH OUTPUT FLOOD LIGHTS

StaxMAX™ Series



Fixture shown with High Bay Bracket



Fixture shown with Arch Yoke Bracket



Fixture shown with Arch Yoke Bracket

Dimensional Drawings on page 4



PRODUCT DESCRIPTION:

Ideal for car dealerships, sports parks, golf driving ranges, facades, general area and high bay appliance, the StaxMAX™ is a unique and flexible system, comprised of self-contained modular elements, allowing variability in both lumen output and light distributions. The StaxMAX™ can be specified in one-, two- or three- 180 watt module configuration where each module can have a different optical distribution. In total, the StaxMAX™ is capable of replacing up to 1500W metal halide fixtures.

FEATURES:

- Modular housing design – up to three modules can be combined
- Each StaxMAX™ flood fixture module can be configured with either narrow (22°), medium (55°) or wide optics (120°)
- Discreet J-Box on each frame enables easy field install
- > 60,000 hour life (L70)
- Multiple circuits on each module guard against full module light outage
- 4Kv driver integral surge protection standard; 20KV surge protection available
- Heaviest configuration conforms to ANSI C136.31 3G vibration rating standards
- 5 year limited warranty
- Suitable for natatorium environment






CONSTRUCTION:



- Die cast aluminium body with heat sinking across the full module, enabling a long fixture life
- Stainless steel bushing and adjustment plates
- Tempered glass lens
- Polished and plated optical reflectors
- 6'-18/3 shielded power feed cord included standard
- Yoke mount includes 270° pivot base plate and integrated arm with side protractor for field aiming
- Aluminum Ø3.2" Pole Tenon Slipfitter Mount [Requires a 5.5-6" Tenon]

MODEL SELECTION					Typical order example: ELLF180DW50		
ELLF	180	D	W	50			
FAMILY	POWER, EQUIVALENCY	VOLTAGE	DISTRIBUTION	CCT	MOUNTING BRACKET	COLOR	OPTIONS
ELLF= High Output Flood	180= 180W, 400W MH equivalent 360= 360W, 750W PSMH equivalent 540= 540W, 1500W MH equivalent	D= 120-277V, 0-10V dimmable 4= 347-480V	N= Narrow 22° M= Medium 55° W= Wide 120° 'C= Custom	50= 5000K	(OMIT)= Arch Yoke H= High Bay	(OMIT)= Gray, RAL 7045 (Std) 'L= Black	(OMIT)= None 'E= NEMA 3-pin receptacle

1) Please contact MaxLite representative for quantities and lead times.

2) See APS312 in Replacement parts table for more information. NEMA Twist-Lock photocontrol sold separately.

ACCESSORIES			
ORDER CODE	MODEL NUMBER	DESCRIPTION	ACCESSORIES IMAGE
72881	PTMB	Pole Tenon Mount bracket (To be used with High bay mount kit bracket only)	
96375	PTMBC	3-5/16" Cap For Pole Tenon Mount Bracket	
72055	6390LBK	NEMA twist-lock photocontrol 120-277V	
1408292	6394LL	NEMA twist-lock photocontrol 347V-480V	
96268	MLRTLPCRSP	Shorting cap photocontrol 3PIN NEMA twist-lock photocontrol	

REPLACEMENT PARTS			
ORDER CODE	MODEL NUMBER	DESCRIPTION	ACCESSORIES IMAGE
72975	EF1MKITH	High bay mount, Single module	
72976	EF1MKITH	High bay mount, Double module	
72977	EF3MKITH	High bay mount, Triple module	
74671	APS312	Photocontrol Receptacle with an adjustable bracket, 20KV Surge Suppressor and a 3 ft 14 AWG whip	

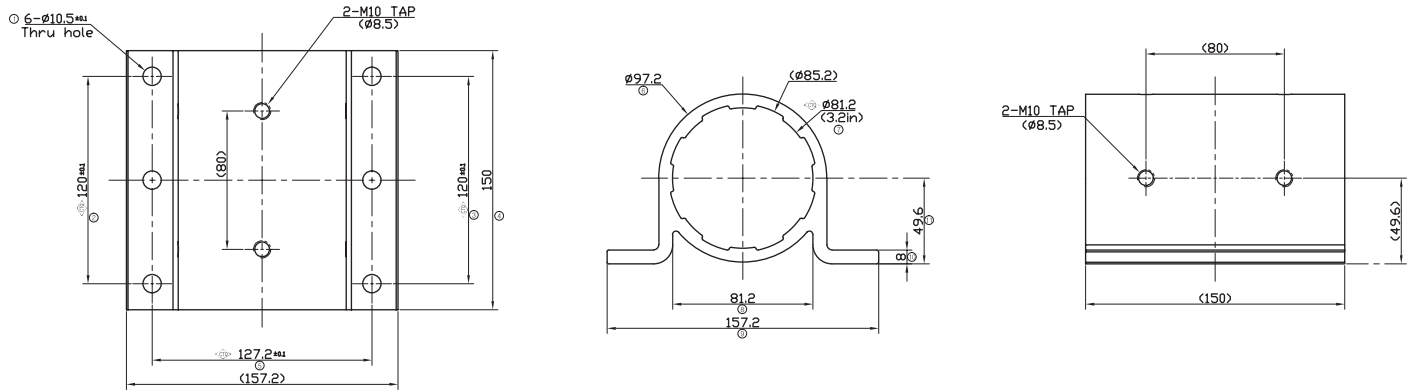
SPECIFICATIONS:

ITEM	SPECIFICATION	DETAILS		
		ELLF180XXX	ELLF360XXX	ELLF540XXX
GENERAL PERFORMANCE	Color Temperature (CCT)	5000K		
	CRI	76		
	Lumens Delivered (lm)	Up to 18,970	Up to 37,940	Up to 56,910
	Efficacy (lm/W)	96 to 105	95 to 105	96 to 105
	L70 lifetime @ 25°C	> 60,000 Hours		
ELECTRICAL	Power Consumption	180W	360W	540W
	Power Factor	>0.9		
	Input Voltage	120V-277V, 347V-480V		
PHYSICAL	Dimensions (H" x W" x L")	7.4" x 21.4" x 21.1"	14.5" x 20.4" x 20.4"	19.6" x 21.1" x 21.1"
	EPA	0.9 sq. ft	1.8 sq. ft	2.7 sq. ft
	Weight	14 lbs	26 lbs	37 lbs
	Housing	Die cast aluminum with powder coat paint		
	Mounting	Module is trunnion mounted to carriage with 270 degree pivoting bolt pattern		
	Max. Ambient Temperature	-40°C to 55°C (-40°F - 131°F)		
QUALIFICATION	Qualification	DLC 4.1 Standard, cULus, FCC		
	Material Usage	RoHS compliant; no mercury		
	Environment	IP66		
	Humidity	5% - 90% RH, non condensing		
	Warranty	5 Year		

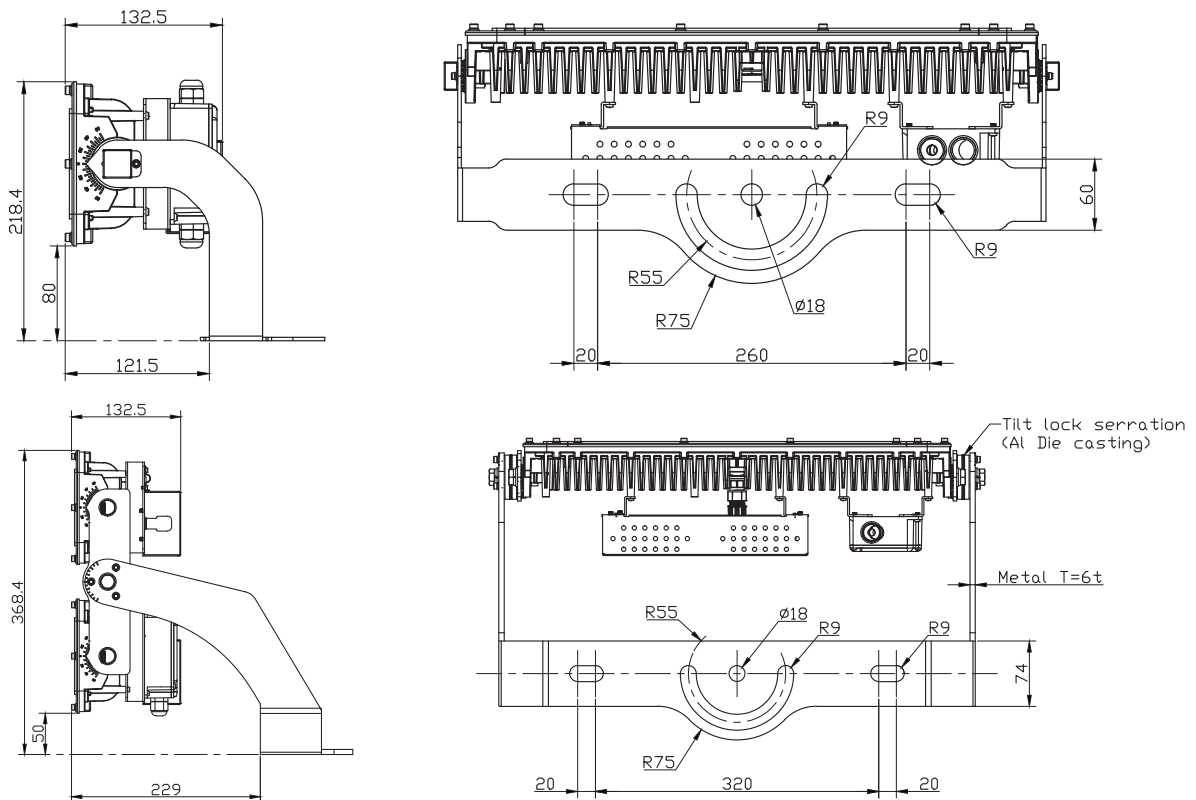
DIMENSIONAL DRAWINGS:

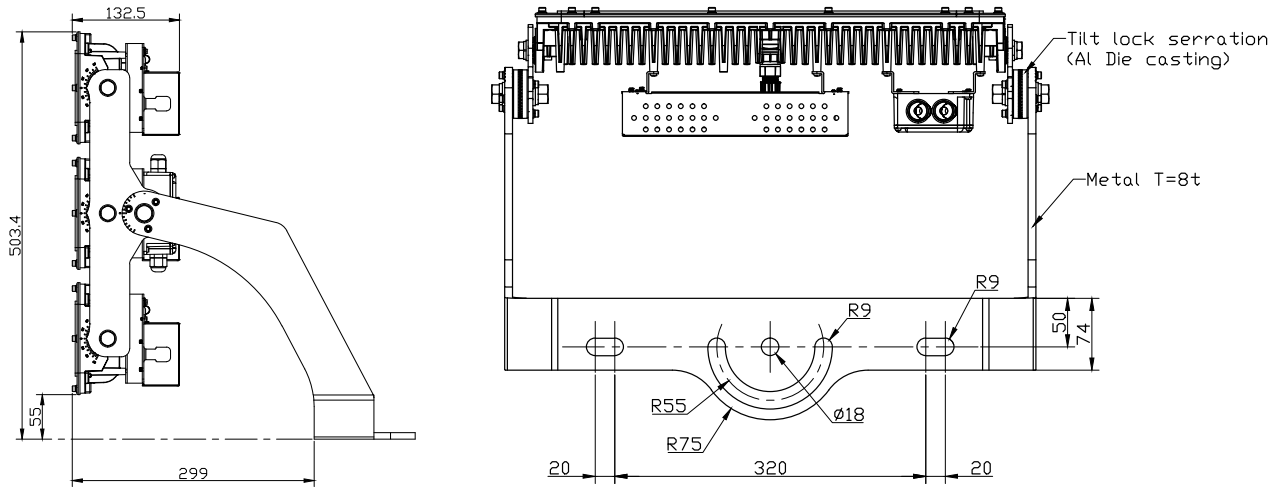
*All measurements are in millimeter

POLE TENON DETAILS



YOKE MOUNT DETAILS





HIGH BAY MOUNT DETAILS

