

READ AND FOLLOW ALL SAFETY INSTRUCTIONS!
SAVE THESE INSTRUCTIONS AND DELIVER TO OWNER AFTER INSTALLATION

- To reduce the risk of death, personal injury or property damage from fire, electric shock, falling parts, cuts/abrasions, and other hazards please read all warnings and instructions included with and on the fixture box and all fixture labels.
- Before installing, servicing, or performing routine maintenance upon this equipment, follow these general precautions.
- Installation and service of luminaires should be performed by a **qualified licensed electrician**.
- Maintenance of the luminaires should be performed by person(s) familiar with the luminaires' construction and operation and any hazards involved. Regular fixture maintenance programs are recommended.
- It will occasionally be necessary to clean the outside of the refractor/lens. Frequency of cleaning will depend on ambient dirt level and minimum light output which is acceptable to user. Refractor/lens should be washed in a solution of warm water and any mild, non-abrasive household detergent, rinsed with clean water and wiped dry. Should optical assembly become dirty on the inside, wipe refractor/lens and clean in above manner, replacing damaged gaskets as necessary.
- **DO NOT INSTALL DAMAGED PRODUCT!** This luminaire has been properly packed so that no parts should have been damaged during transit. Inspect to confirm. Any part damaged or broken during or after assembly should be replaced.
- These instructions do not purport to cover all details or variations in equipment nor to provide every possible contingency to meet in connection with installation, operation, or maintenance. Should further information be desired or should particular problems arise which are not covered sufficiently for the purchaser's or owner's purposes, this matter should be referred to Acuity Brands Lighting, Inc.



WARNING
RISK OF ELECTRIC SHOCK

- ✓ Disconnect or turn off power before installation or servicing.
- ✓ Verify that supply voltage is correct by comparing it with the luminaire label information.
- ✓ Make all electrical and grounded connections in accordance with the National Electrical Code (NEC) and any applicable local code requirements.
- ✓ All wiring connections should be capped with UL approved recognized wire connectors.



WARNING
RISK OF BURN

- ✓ Allow lamp/fixture to cool before handling. Do not touch enclosure or light source.
- ✓ Do not exceed maximum wattage marked on luminaire label.
- ✓ Follow all manufacturer's warnings, recommendations and restrictions for: driver type, burning position, mounting locations/methods, replacement and recycling.



CAUTION
RISK OF INJURY

- ✓ Wear gloves and safety glasses at all times when removing luminaire from carton, installing, servicing or performing maintenance.
- ✓ Avoid direct eye exposure to the light source while it is on.



CAUTION
RISK OF FIRE

- ✓ Keep combustible and other materials that can burn, away from lamp/lens.
- ✓ Do not operate in close proximity to persons, combustible materials or substances affected by heat or drying.



CAUTION: RISK OF PRODUCT DAMAGE

- ✓ Never connect components under load.
- ✓ Do not mount or support these fixtures in a manner that can cut the outer jacket or damage wire insulation.
- ✓ Controls for dimming, auto-sensing, or remote control of a luminaire that are not factory-wired to the luminaire must be checked for compatibility with the luminaire prior to installation. LED fixtures must be powered directly off a switched circuit.
- ✓ Unless individual product specifications deem otherwise: Do not restrict fixture ventilation. Allow for some volume of airspace around fixture. Avoid covering LED fixtures with insulation, foam, or other material that will prevent convection or conduction cooling.
- ✓ Unless individual product specifications deem otherwise: Do not exceed fixtures maximum ambient temperature.
- ✓ Only use fixture in its intended location.
- ✓ LED products are Polarity Sensitive. Ensure proper Polarity before installation.
- ✓ Electrostatic Discharge (ESD): ESD can damage LED fixtures. Personal grounding equipment must be worn during all installation or servicing of the unit.
- ✓ Do not touch individual electrical components as this can cause ESD, shorten lamp life, or alter performance.
- ✓ Some components inside the fixture may not be serviceable. In the unlikely event your unit may require service, stop using the unit immediately and contact an ABL representative for assistance.
- ✓ Always read the fixtures complete installation instructions prior to installation for any additional fixture specific warnings.
- ✓ Always ensure that the electrical distribution system is up to NEC (and any applicable local code) requirements.
- ✓ Verify that power distribution system has proper grounding. Lack of proper earth ground can lead to fixture failure and may void warranty.

Choose either Part 15 OR Part 18 and move to Page 3 Installation Instructions under Delivery. Lithonia Outdoor will always use Part 15. All luminaires that contain electronic devices that generate frequencies above 9kHz from any component within the luminaire comply with Part 15 of the FCC Rules. Operation is subject to the following two conditions:

- (1) This device may not cause harmful interference
- (2) This device must accept any interference received, including interference that may cause undesired operation

This device complies with Part 18 of the FCC Rules but may cause interference with cordless and cell phones, radios, televisions, and other electronic devices. To correct the problem, move the device away from the luminaire or plug into a different outlet. This product may cause interference to radio equipment and should not be installed near maritime safety communications equipment or other critical navigation or communications equipment operating between 0.45-30MHz.

Failure to follow any of these instructions could void product warranties. For a complete listing of product Terms and Conditions.

Our Brands Lithonia Lighting Carandini Holophane RELOC Light Concepts	Indoor/Outdoor Indoor Lighting Gotham Mark Architectural Lighting Peerless Renaissance Lighting Winona Lighting	Outdoor Lighting American Electric Lighting Antique Street Lamps Hydrel Tersen	Controls DARK TO LIGHT LC&D ROAM Sensor Switch Synergy	Daylighting SunOptics
---	--	---	--	---------------------------------

Acuity Brands Lighting, Inc. assumes no responsibility for claims arising out of improper or careless installation or handling of its products.

ABL LED General Warnings, Form No. 503.203

© 2010, 2016 Acuity Brands Lighting, Inc. All rights reserved. 12/01/10

IBE LED HIGHBAY

INSTALLATION INSTRUCTIONS

WARNING: Please read all LED important safety instructions on pages 1-2 prior to installation of this product.

A) Identification of IBE Luminaire- Pages 3-4

1. IBE 2FT LUMINAIRE
2. IBE 4FT LUMINAIRE
3. BPK OPTION
4. WGX OPTION
5. IBE V-HANGER ACCESSORY
6. THUN (SURFACE MOUNT) ACCESSORY
7. PMP (PENDANT MOUNT) OPTION

B) PRE-INSTALLATION FOR ALL MOUNTING- PAGE 4

C) INSTALLATION- SUSPENDED FIXTURE- PAGE 5

D) INSTALLATION- THUN (SURFACE) MOUNT- PAGE 6

E) INSTALLATION- PMP (PENDANT) MOUNT PAGES 6-7

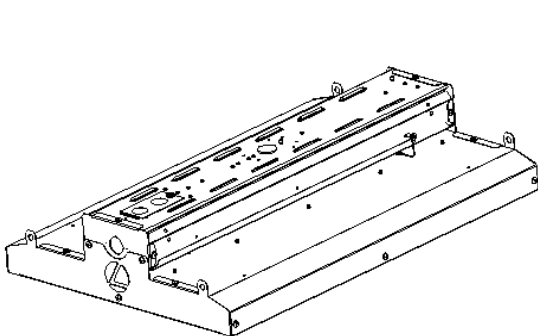
F) INSTALLATION- EXTERNAL OCCUPANCY SENSOR- PAGE 7

G) WIRING- EMERGENCY- PAGE 7

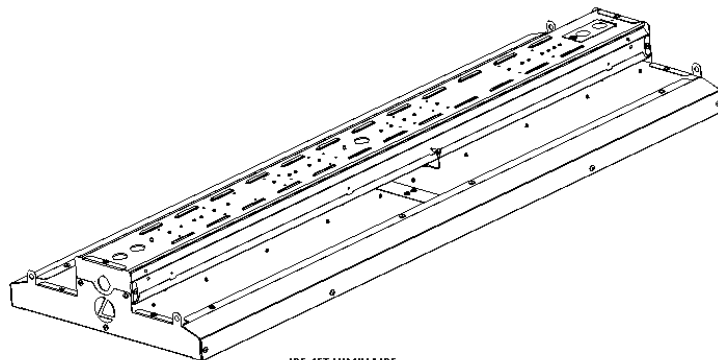
H) WIRING- IMP CONNECTOR- PAGE 7

I) SERVICING- PAGE 8-9

SECTION A: Identification of IBE Luminaire

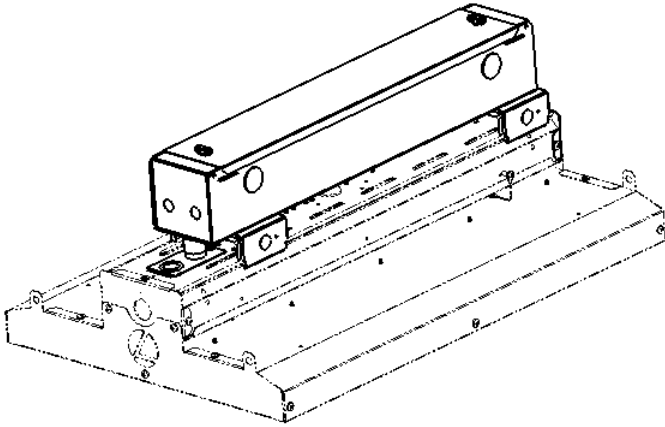


IBE 2FT LUMINAIRE

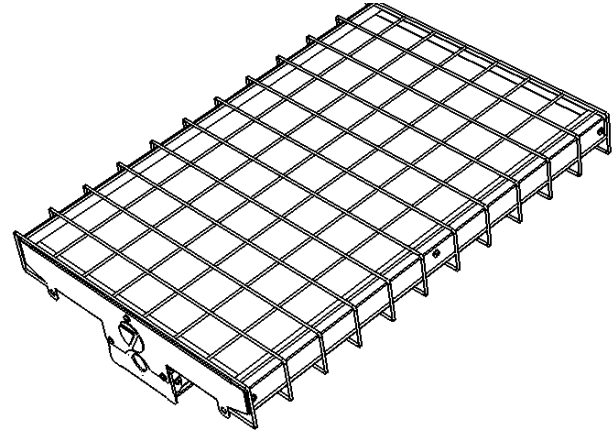


IBE 4FT LUMINAIRE

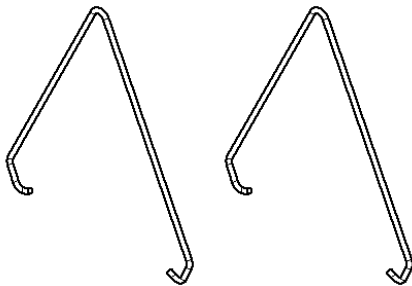
BPK OPTION (Access Plate not removable)



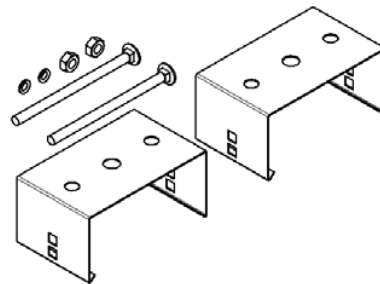
WGX OPTION



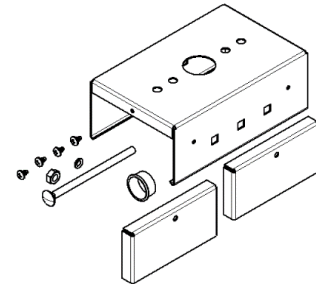
V-HANGER ACCESSORY



THUN ACCESSORY



PMP ACCESSORY



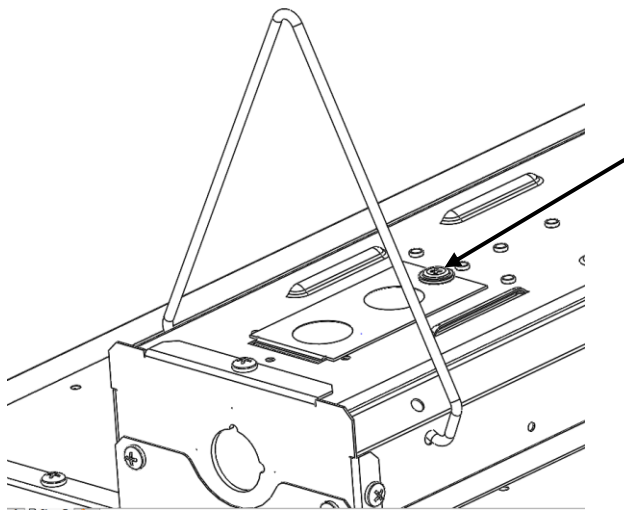
SECTION C: PRE-INSTALLATION FOR ALL MOUNTING

- 1) Ensure power is OFF.
- 2) Disconnect all power to the existing luminaire and remove the existing luminaire from the ceiling. Inspect the existing mounting location for damage before installing the new IBE LED high bay in this location. Ensure mounting structure is properly sized to support the weight of the fixture.
- 3) BPK is not available with THUN (Surface) or PMP (Pendant) mounting.
- 4) Remove the new IBE LED from packaging and inspect for any damages. Handle new LED fixture with care. If damaged do not use; call your local rep for replacement.
- 5) If LED fixture does not have lens option, do not touch the LEDs during installation process. Leave the protective liner on the fixture until final stage of installation. Remove the protective plastic around the LED fixture before turning them ON.
- 6) After installation ensure no wires are pinched or caught outside the electrical channel.

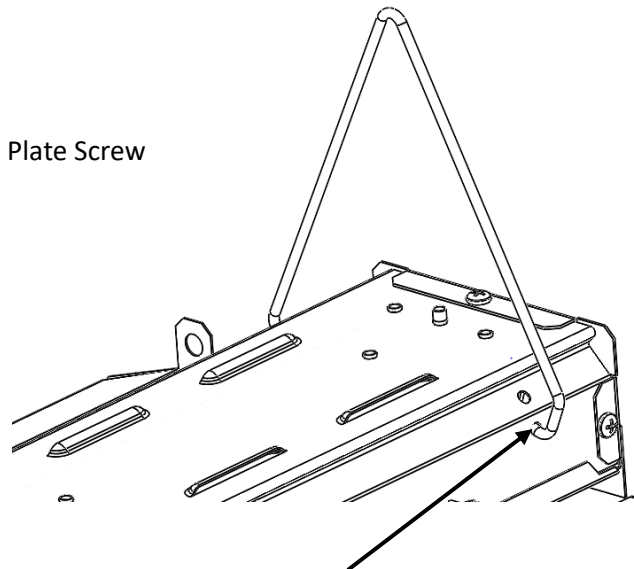
SECTION D: INSTALLATION - SUSPENDED FIXTURE

- 1) If using the V-hanger and chain, feed hanger through chain link.
- 2) If using the HC V-Hanger (supplied with HC36 and ZACVH), hook the hanger through holes in the electrical channel shown below.
- 3) Secure the other end of the chain to a structure using hardware rated for the load. Contact factory or agency for areas that have vibration, overhead cranes and/or high velocity

⚠ Make sure the wiring hangers are fully engaged into the side holes on the electrical channel. If using "S" hooks, make sure all loops are crimped closed if possible. Make sure wire hanger fit snugly into side hole of driver channel.



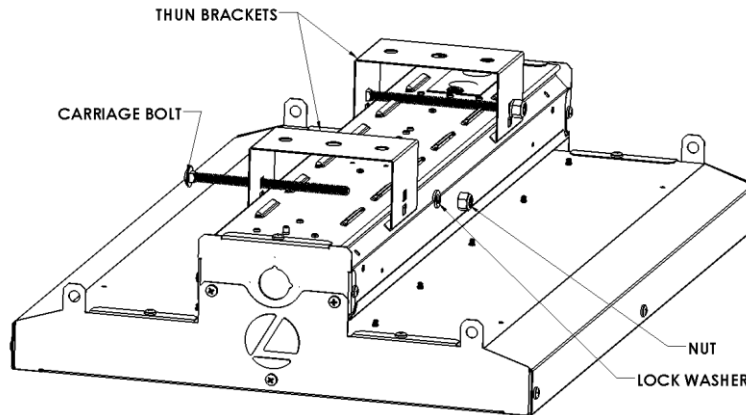
Access Plate Screw



- 4) Remove access plate screw as shown above. Input wires will be attached to the access plate. Remove the necessary knockout(s) and connect input wires black to black, white to white and green to green. Use only UL listed connectors rated 90C or greater. Purple and Gray wires are low voltage dimming leads.
- 5) Make any necessary electrical connections. Supply wire must meet applicable electrical codes and be rated for a minimum of 90°C. Purple and gray leads are 0-10V (low voltage) dimming leads.

SECTION E: INSTALLATION – THUN MOUNT

- 1) Follow Steps 3-4 from Section D
- 2) Attach THUN brackets to structure (not supplied). Two THUN brackets **MUST** be used on all configurations.
- 3) Support fixture while snapping fixture into THUN brackets. Ensure fixture is balanced.
- 4) Use supplied hardware to tighten THUN brackets around center channel as shown below. Tighten bolts to 13 in/lbs.



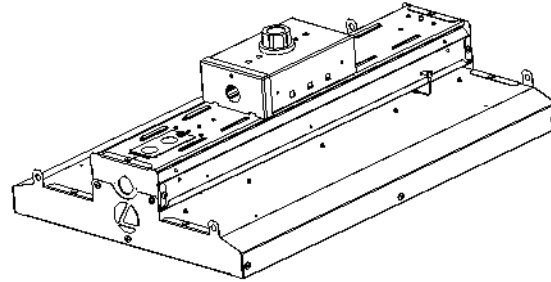
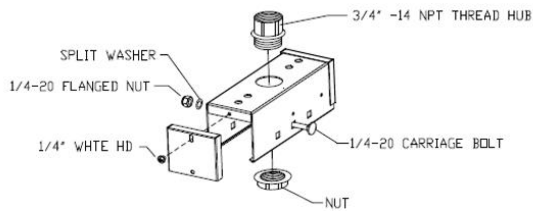
SECTION F: INSTALLATION – PMP MOUNT

Optional IBLPMP mount:

- 1) This option is not available with BPK option.
- 2) Mount the IBLPMP bracket to the existing threaded rod/pipe. Follow all threaded rod/pipe installation instructions. Make sure all parts are securely tightened before hanging the LED fixture.
- 3) Slide the center of fixture along the length of the bracket and snap it into the side slots once “center weight” is determined. Make sure the two tabs on the IBLPMP bracket engage the slots in the side of the channel.
- 4) Use supplied carriage bolt, washer, and nut to tighten PMP mount around center channel. Tighten to 13 in/lbs.
- 5) Input wires will be pulled out of the center of the fixture. Make any necessary electrical connections. Supply wire must meet applicable electrical codes and be rated for a minimum of 90°C. Purple and gray leads are 0-10V (low voltage) dimming leads.
- 6) Attach PMP Bracket sides with screws, one each as shown below. Ensure wires are not pinched.
- 7) **DO NOT LEAN ON FIXTURE ONCE PMP IS ATTACHED.**

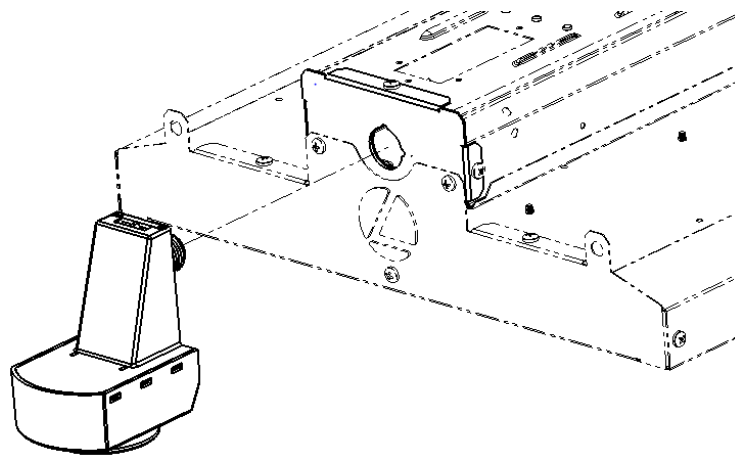
Optional IBLPMPHB (HUB) kit mount:

- 1) This option is not available with BPK option.
- 2) Attach the HUB kit to the IBLPMP bracket using 3/4"- 14 NPT THREAD HUB and Nut (supplied) as shown below. Make sure the threaded nipple is inserted through the HUB from above. Then, ensure the HUB is securely tightened to the bracket.
- 3) Follow steps 2-7 from “Optional IBLPMP mount” LED fixture hanging instruction above.



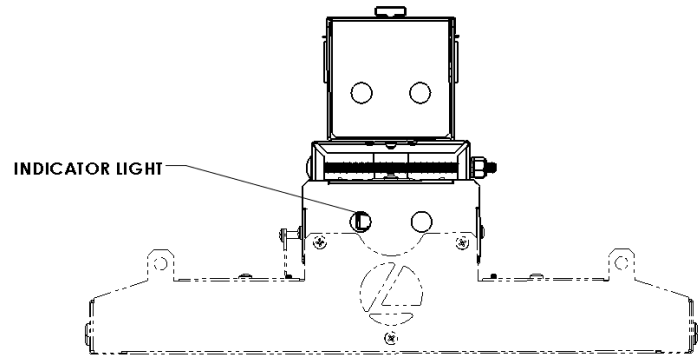
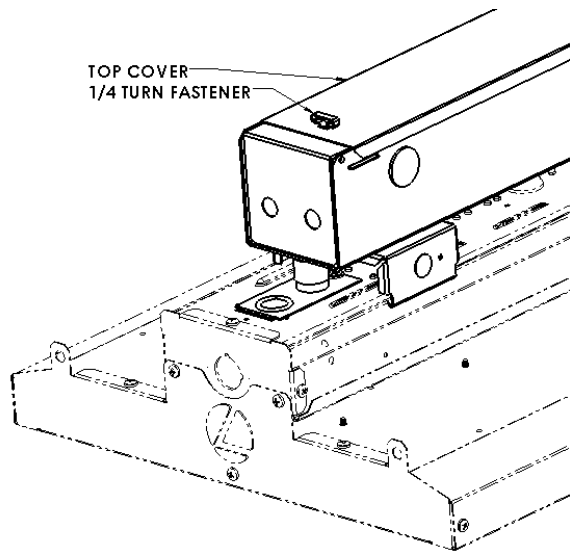
Section G: Installation – External Occupancy Sensor

- 1) External Occupancy sensor will be pre-wired to the fixture.
- 2) Remove the black wire protection bushing from the hole on the fixture end. This is used to protect sensor wiring from being cut during transit.
- 3) Install external occupancy sensor to fixture by snapping into end cap as shown in the fixture below.
- 4) Rotate/Align the sensor head such that the sensor lens is parallel to the floor.
- 5) Install fixture based on specified mounting instructions.



Section I: Wiring – Emergency (PS1555CP)

- 1) Install fixture based on specified mounting instructions.
- 2) Input Wires will be located outside of the access plate. Access plate is not removeable. Connect un-switched power to fixture wires labeled un-switched. Connect un-switched power to white, black, and green wires. Supply wire must meet applicable electrical codes and be rated for a minimum of 90°C. Purple and gray leads are 0-10V (low voltage) dimming leads.
- 3) If using the PSC1555CP, remove the top cover using the two quarter-turn fasteners. Connect the white indicator light connector to battery. Connect wires and push back inside the luminaire as shown in the image below.
- 4) If using the PS1555CP, press the indicator light for testing.



Section J: Wiring – IMP Connector

- 1) Install fixture based on specified mounting instructions.
- 2) A 5/8" knock out is located on the IMP access plate. If dimming is required remove access plate and knock out knockout. Pull dimming wires through access plate and connect to dimming circuit. Reattached access plate to fixture.
- 3) Snap supply power with IMP male connector (not supplied) into luminaire female IMP connector.

SECTION K: SERVICING

- 1) Clean fixture as needed. Double check all mounting hardware.
- 2) After installation, wear protective gloves if the lens needs to be removed.
- 3) The lens rests in the LED channel. To remove lens, remove one of the LED channel's end plates and slide the lens out. NOTE: LED housing is made from aluminum sheets. Do not over tighten screws when re-installing the end cover, this will damage the screw holes. If IBE LED fixture does not come with lens, do not touch the LEDs when servicing the unit. Reinstall the lens and end cover when cleaning is done. Gloss side of lens faces floor.
- 4) If replacing driver, ensure to disconnect all power to the LED high bay being service. Read LED safety instructions on page 1
- 5) To access the driver, remove the two screws at the end opposite the safety cable side.
- 6) Rotate electrical channel to its side and remove screws holding the channel cover.
- 7) Slide the channel cover off its securing clips.
- 8) Tag wiring before removing the bad driver. Install new driver in the same location. Follow wiring diagram on driver.
- 9) Use only UL listed 90C (or greater) wiring and connectors. Make sure to push all wiring back into the driver housing before rotating the driver housing to closed position. Do not let wiring get caught outside the two assemblies.

LED IMPORTANT SAFETY INSTRUCTIONS

