



MaxLite® LED Small Flood Fixtures

General Safety Information

- To reduce the risk of death, personal injury or property damage from fire, electric shock, falling parts, cuts/abrasions, and other hazards read all warnings and instructions included with and on the fixture box and all fixture labels.
- Before installing, servicing, or performing routine maintenance upon this equipment, follow these general precautions.
- Commercial installation, service and maintenance of luminaires should be performed by a qualified licensed electrician.
- For Residential installation: If you are unsure about the installation or maintenance of the luminaires, consult a qualified licensed electrician and check your local electrical code.
- **DO NOT INSTALL DAMAGED PRODUCT!**
- This fixture is intended to be connected to a properly installed and grounded UL listed junction box.



Picture is for illustration purposes only.
Your model may vary.

WARNING:

- Risk of Fire - Supply conductors (power wires) connecting the fixture must be rated minimum 90 . If uncertain consult an electrician.
- Risk of fire or electric shock. installation requires knowledge of luminaires electrical systems.
- Risk of Fire/Electric Shock - If not qualified, do not attempt installation. Contact a qualified electrician.
- Do not use in high humidity conditions.
- Keep away from flammable and explosive environment.
- Don't cover the fixture with insulation liner or similar material.
- Don't install where fixture is loose or only partially supported.
- Don't impact or exert pressure on the fixture surface face or rear, as damage may occur.

CAUTION:

- For your safety read and understand instructions completely before starting installation.
- To prevent wiring damage or abrasion, do not expose wiring to edges of sheet metal or other sharp objects.
- Before attempting installation, check your local electrical code, as it sets the wiring standards for your locality.

NOTES:

- If luminaire (fixture) is to be switched from a wall switch, make sure black power supply wire is connected to the switch. **DO NOT** connect the white supply wire to the switch.
- Make certain no bare wires are exposed outside the wire nut connectors.
- Do not make or alter any open holes in an enclosure of wiring or electrical components during kit installation.

Model:

FLSxx/G2 Series

Operating characteristics:

Operating temperature: -30°C to 40°C
Input voltage range: 120-277V 50/60 HZ



MaxLite® LED Small Flood Fixtures

Installation Instructions

- 1.) Inspect components to ensure that male and female port threads and sealing surfaces are free of burrs, nicks and scratches or any foreign material.
- 2.) Thread fixture into flat mounting surface (**Fig. 1**). Please see detailed diagrams of mounting trunnions below (**Fig. 2**).

- 3.) Using a wrench, adjust luminaire to desired aiming angle and tighten screw (**Fig. 3**)

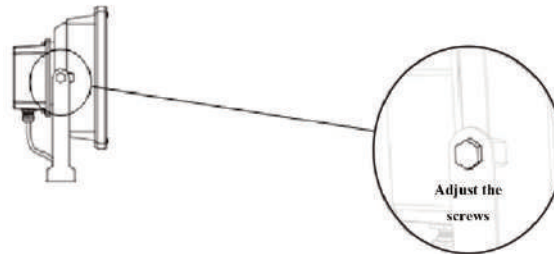


Fig. 3

- 4.) Inspect to ensure that the screw is seated flat on the mounting surface.
- 5.) Connect power to fixture (**Fig. 4**), referencing wiring diagram below. Make sure the power supply is disconnected before installing.

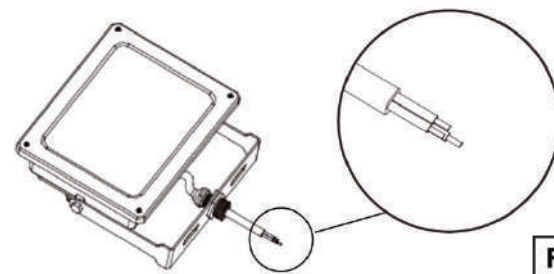


Fig. 4

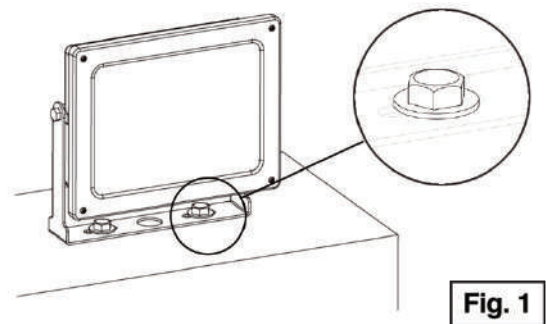


Fig. 1

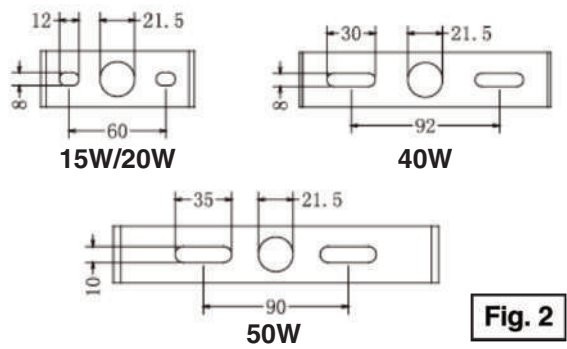
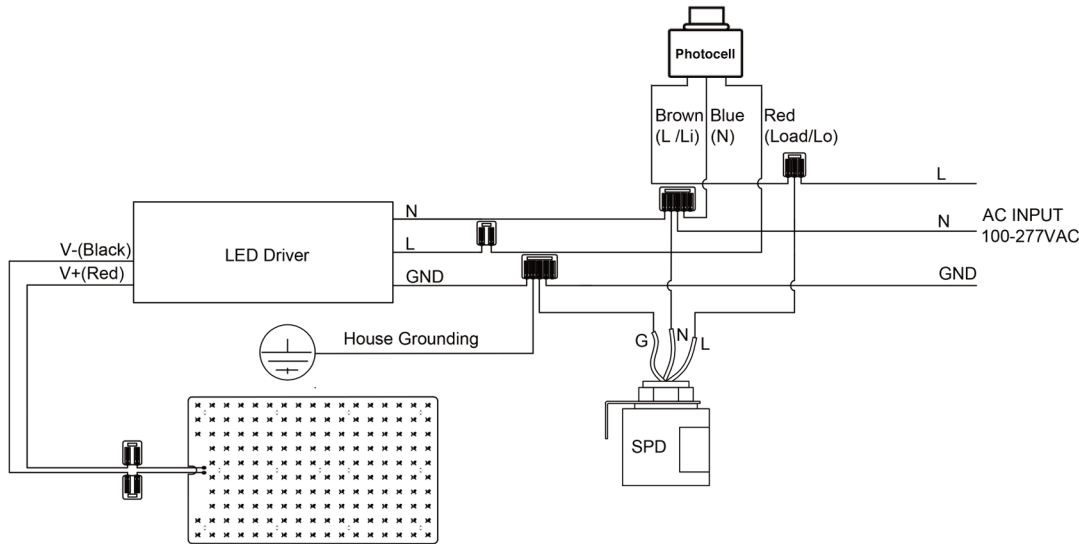


Fig. 2

MaxLite® LED Small Flood Fixtures

Installation Instructions (Continued)

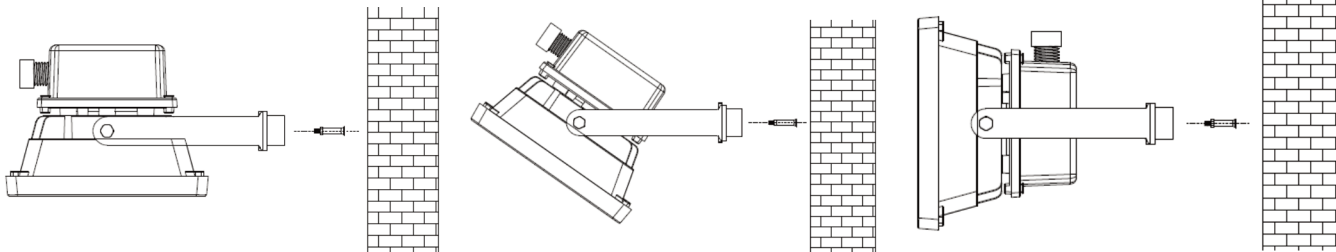
6.) For models with a photocell: Remove black sensor cap to use the photocell. If no photocell is needed the cap can be left in place.



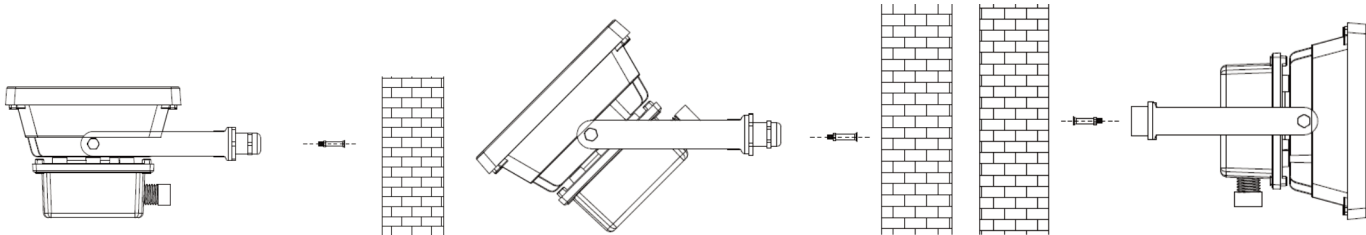
WARNING:

For models with photocell, please make sure the photocell is on the top.

CORRECT:



WRONG:



MaxLite® LED Small Flood Fixtures



Warranty Information

MaxLite Inc. warrants its products for a minimum period of **FIVE (5)** years from the date of original purchase from MaxLite or its authorized distributor/dealer (the "Warranty Period"), as follows: If a Product fails to operate during the Warranty Period as a result of defects in materials or workmanship, MaxLite will, at its option, repair it, replace it with the same or like Product.

Limitation of Liability

THE FOREGOING WARRANTY IS EXCLUSIVE, AND IS THE SOLE REMEDY FOR ANY AND ALL CLAIMS, WHETHER IN CONTRACT, IN TORT OR OTHERWISE ARISING FROM THE FAILURE OF PRODUCT AND IS IN LIEU OF ALL OTHER WARRANTIES, EXPRESS OR IMPLIED, INCLUDING ALL WARRANTIES OF MERCHANTABILITY OR FITNESS FOR A PARTICULAR PURPOSE, WHICH WARRANTIES ARE HEREBY EXPRESSLY DISCLAIMED TO THE EXTENT PERMITTED BY LAW AND, IN ANY EVENT, SHALL BE LIMITED TO THE WARRANTY PERIOD SPECIFIED ABOVE. THE LIABILITY OF MAXLITE SHALL BE LIMITED TO THE TERMS OF THE EXPRESS WARRANTY SET FORTH HEREIN. IN NO EVENT WILL MAXLITE BE LIABLE FOR ANY SPECIAL, INCIDENTAL OR CONSEQUENTIAL DAMAGES INCLUDING, WITHOUT LIMITATION, DAMAGES RESULTING FROM LOSS OF USE, PROFITS, BUSINESS OR GOODWILL, LABOR COSTS, REMOVAL OR INSTALLATION COSTS, DECREASE IN THE LIGHT OUTPUT OF THE LAMP, AND/OR DETERIORATION IN THE LAMP'S PERFORMANCE, WHETHER OR NOT MAXLITE HAS BEEN ADVISED OF THE POSSIBILITY THEREOF. UNDER NO CIRCUMSTANCES SHALL MAXLITE'S ENTIRE LIABILITY FOR A DEFECTIVE PRODUCT EXCEED THE PURCHASE PRICE OF THAT PRODUCT. WARRANTY SERVICES PROVIDED UNDER THESE TERMS AND CONDITIONS DO NOT ENSURE THE UNINTERRUPTED OPERATION OF PRODUCTS; MAXLITE SHALL NOT BE LIABLE FOR DAMAGES CAUSED BY ANY DELAYS INVOLVING WARRANTY SERVICE.

This Limited Warranty gives you specific legal rights and you may also have other rights that may vary from state to state. Because some states or jurisdictions do not allow the exclusion or limitation of liability for consequential or incidental damages, this limitation may not apply to you.