

High quality of light and color rendering (90+ CRI, 50+ R9),
with low flicker, flicker <30%,
Smooth dimming. Dimming lower than 10%.

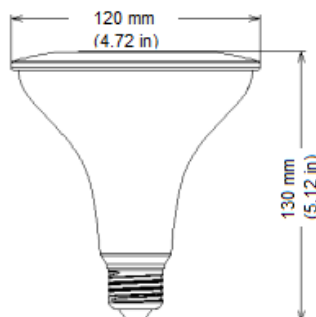


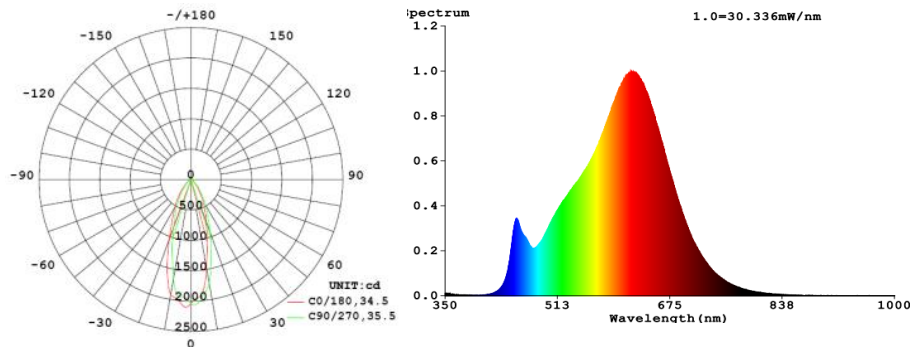
ELECTRICAL SPECIFICATIONS

MODEL NO.	LUMEN	POWER	CCT	BEAM	CRI	PF	CBCP
SE-RL6.CF11.1415G	1050LM	15W	2700K	40°	>90	>0.9	3110cd

MECHANICAL SPECIFICATIONS

MODEL NO.	MEASURES	WEIGHT	OPERATIONAL TEMPERATURE	INNER BOX QTY	MASTER CARTON QTY
SE-RL6.CF11.1415G	4.72in X 5.12in	7.94oz	-20°C - 40°C	6pcs	12pcs

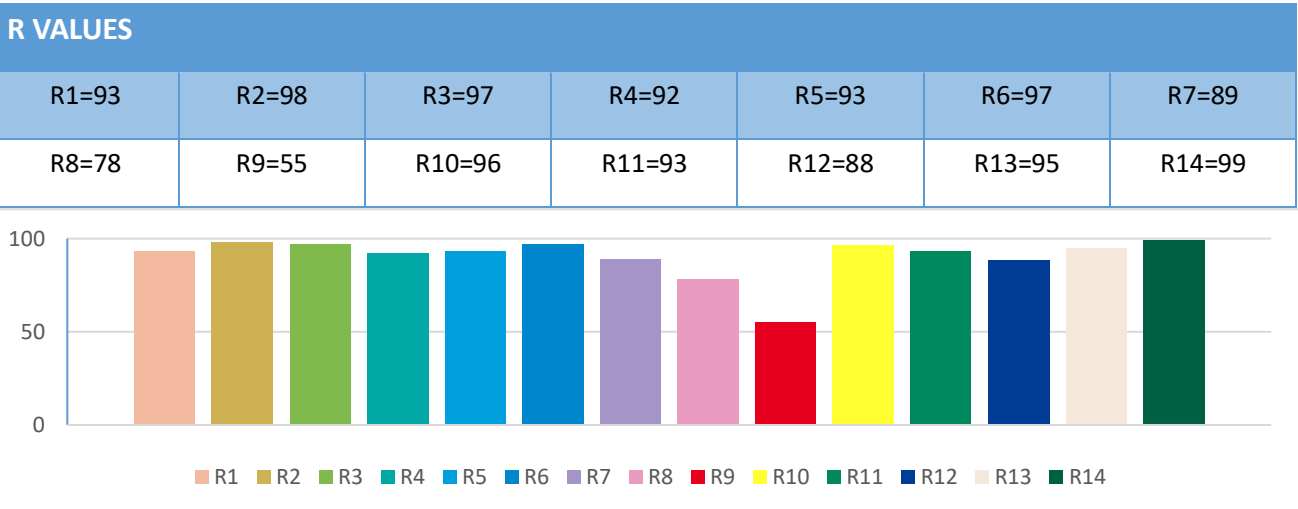




RA – CHART: >90

RA refers to the average value of R1 to R8.

R9 is the score that represents how accurately a light source will reproduce strong red colors. "Accurate" is defined as similarity to daylight or incandescent bulbs, depending on the color temperature.



TM30 GRAPHIC

TM-30 deals with the color rendition of object.

R_f - a fidelity index that is similar to the commonly used CRI

R_g - a gamut index that provides information about saturation

Color vector graphic- a graphical representation of hue and saturation relative to a reference source.

