

## FEATURES & SPECIFICATIONS

**INTENDED USE** — The OneUp™ recessed direct-wire LED downlight includes integrated junction box, trim, pre-installed non-metallic bushings and 3-port push wire quick connectors in one package. The OneUp is the most economical means to create a well lit environment with exceptional energy efficiency and near zero maintenance.

**CONSTRUCTION** — Spun steel, round baffle trim. Integrated galvanized steel junction box with captive door for easy access. Suitable for daisy chaining (pulling wires). Available in 3000K color temperature LEDs.

**OPTICS** — Round baffle recesses optical system into the ceiling to prevent glare and provide a traditional look. Diffused lens provides even light distribution for general illumination, equivalent to 65W incandescent flood lamp. Wide flood beam angle at >90°. CRI >90. Maintains at least 70% light output for 50,000 hours.

**INSTALLATION** — Tool-less installation. Secure trim retention with two side-mounted spring clips for easy installation in plaster, sheet rock, or plywood ceilings. The integrated junction box - with pre-installed non-metallic bushing - allows non-metallic cable to be fed through without the hassle of knockouts. The captive junction box door provides easy access to pre-installed 3-port push wire quick connectors for straight-forward wiring. Rated for Type IC installations. Maximum of 4 No. 12AWG through branch circuit conductor suitable for 90°C permitted in box. Ground wire provided.

**ELECTRICAL SYSTEM** — LED module with high-efficiency on board driver. Dimming down to 10%. For compatible dimmers, refer to: Compatible dimmers chart.

Actual wattage may differ by +/-5% when operating at 120V +/-10%.

**LISTINGS** — ETL certified to US and Canadian safety standards. Can be used to comply with California Title 24 Part 6 High Efficacy LED Light Source Requirements. WSEC ASTM E283 for Air-Tight rated with gasket or caulking between fixture trim and ceiling. ENERGY STAR® certified. Wet location listed\*. Indoor damp location only for items in Brushed Nickel finish.

**WARRANTY** — 5-year limited warranty.

**Note:** Actual performance may differ as a result of end-user environment and application. All values are design or typical values, measured under laboratory conditions at 25 °C. Specifications subject to change without notice.

### Direct-Wire LED Recessed Downlight

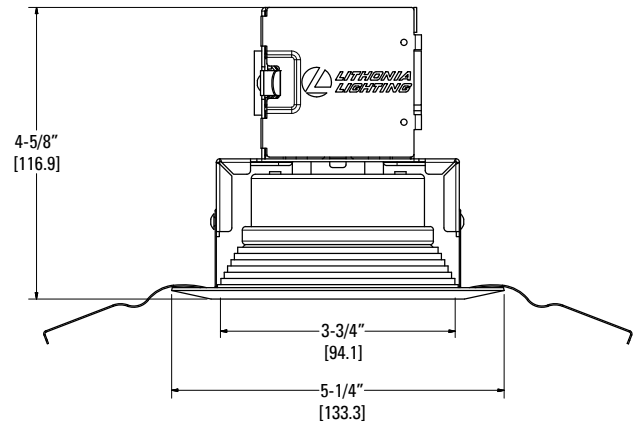
# 4JBK RD

IC  
Remodel



Specifications	
Aperture:	3-3/4" (94.1)
Overlap Trim:	5-1/4" (133.3)
Height:	4-5/8" (116.9)
Ceiling Opening:	4-5/8" (117)
Min Ceiling Thickness:	1/2" (12.7)
Max Ceiling Thickness:	1-1/2" (38.1)

All dimensions are in inches (millimeters).



### ORDERING INFORMATION

For shortest lead times, configure product using **standard options (shown in bold)**.

**Example:** 4JBK RD 30K 90CRI BN

Series	Shape	CCT/ Watts/Lumens <sup>1</sup>	CRI	Finish
<b>4JBK</b>	<b>RD</b> Round	<b>30K</b> 3000K/8.94W/695L	<b>90CRI</b> 90 CRI	<b>MW</b> Matte White <b>BN</b> Brushed Nickel <sup>2</sup> <b>ORB</b> Oil-Rubbed Bronze

#### Notes

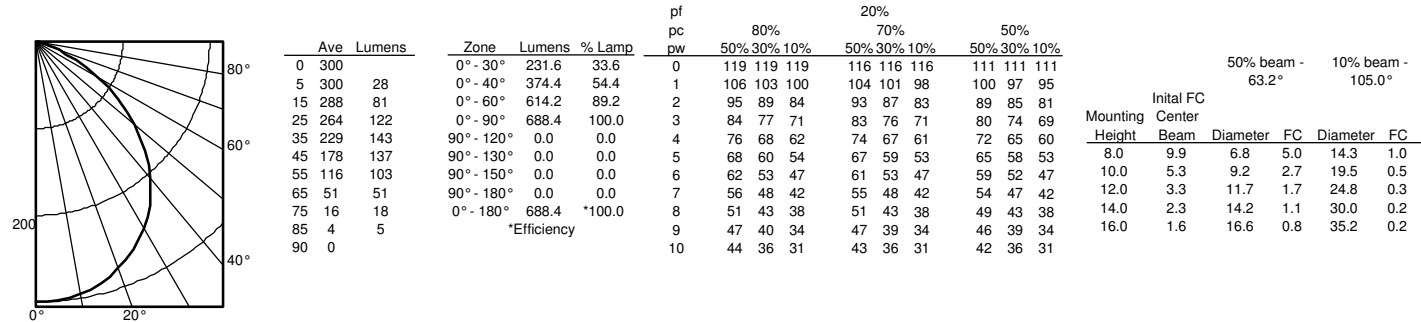
- Total System Delivered Lumens.
- Indoor damp location only for items in Brushed Nickel Finish.

# 4JBK RD OneUP™ Direct-Wire LED

## PHOTOMETRICS

Distribution Curve	Distribution Data	Output Data	Coefficient of Utilization	Illuminance Data at 30" Above Floor for a Single Luminaire
--------------------	-------------------	-------------	----------------------------	--

4JBK RD 30K, 3000 K LEDs, input watts: 8.93, delivered lumens: 689.1, LM/W=77.1, test no. ISF 35033



## ENERGY DATA

4" ENERGY DATA - 3000K	
Lumens	695
Color temperature	3000K
CRI	90
Lumens/Watt	77.74
Min. starting temperature	-18° C (0° F)
EMI/RFI	FCC Title 47 CFR, Part 15, Class B
Sound rating	Class A standards
Input voltage	120V AC
Total Harmonic Distortion	5.56
Min. power factor	.9
Input frequency	50/60 Hz
Rated wattage	8.94
Input power	8.94
Input current	0.07A

## DIMMER COMPATIBILITY

COMPATIBLE DIMMERS				
Lutron	Leviton	Pass & Seymour	Synergy/Leviton	Sensorswitch
DV-603P-LA	6633-PA	HCL453PTCCCV6	ISD 600 I 120 / IPI06	nSP5 PCD 2W
CT-603PR-WH	6615-P	LS 603 PWV	ISD 1000 I 120 / IPI10	nSP5 PCD ELV 120
DVELV-300P			ISD 400 ELV 120 / IPE04	
300P SELV				
DV-600P				
NTELV-300P				
NLV-600				
Caseta PD-6WCL dimmer (requires Lutron Smart Bridge L-BDG2-WH which is sold separately from the dimmer)				

## LIGHTING FACTS

**LED lighting facts**  
A Program of the U.S. DOE

Light Output (Lumens) **695**  
Watts **8.94**  
Lumens per Watt (Efficacy) **77.74**

Color Accuracy **90**  
Color Rendering Index (CRI)

Light Color **3000 (Bright White)**  
Correlated Color Temperature (CCT)

Warm White | Bright White | Daylight  
2700K | 3000K | 4500K | 6500K

All results are according to IESNA LM-79-2008: Approved Method for the Electrical and Photometric Testing of Solid-State Lighting. The U.S. Department of Energy (DOE) verifies product test data and results.

Visit [www.lightingfacts.com](http://www.lightingfacts.com) for the Label Reference Guide.

Registration Number: NJSM-2RBFMP (7/20/2017)  
Model Number: 4JBK RD 30K 90CRI  
Type: Luminaire - Downlight