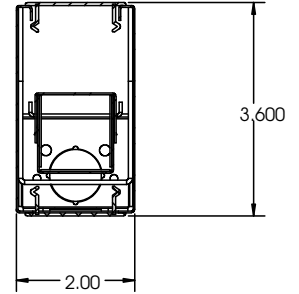


Direct/Indirect/ Recessed Mount/ Wall Mount/ Surface Mount Linear Fixture



FEATURES & SPECIFICATIONS

INTENDED USE

A linear 2 x 3 fixture for distinctive architectural lighting plans. Ideal for corridors, lobbies, and office areas, 2 x 3 Series fixtures can be installed individually or in a continuous run. Specially designed for direct/indirect lighting with snap in lensto hide the lamps or LED arrays. Ideal where downlight and uplight are required. Suitable for Dry and Damp locations.

HOUSING

Die-formed and welded 22-gauge cold rolled steel Knockouts on ends allow continuous wireway mounting. Housing is specially designed for direct/indirect lighting with separating lamps compartments for each.

DIFFUSERS

Fixture accepts various lenses or louvers. 4' and 8' units have a steel mullion to join two individual diffusers. Snap in reflector is ideal for uplight lens.

MOUNTING

Fixtures can be surface mounted to the ceiling or pendant hung by stem or cable.

TYPICAL OPTIONS AND ACCESSORIES Cord sets, whips, occupancy sensors Hanging kits, Wire guards. Contact factory for additional options.

ORDERING INFORMATION

4 FT-UP and DOWN LIGHT

Example: 23WSF48LUR12WD24WDMV40KWH

23W	SF	48L	UR12WD24W	DMV	40K	WH	
Series		Length		Driver			Configuration
23W Wall Mounted		48L 48"		DMV 0-10V Dimming *Field installed-Dimming Wire			Blank Individual
23P Pendant Mounted			Wattage & Lumen	DMVFID 0-10V Dimming *Factory installed-Dimming Wire			-B Beginner Run
			UR12WD24W Up Light 12 System Watts, Down Light 24 System Watts, 3600 Delivered Lumens		Color Temperature	Finish	-E Ender Run
			UR18WD36W Up Light 18 System Watts, Down Light 36 System Watts, 5400 Delivered Lumens		30K 3000K	WH White	-J Joiner
					35K 3500K	BK Black	
					40K 4000K	SI Silver	
					50K 5000K		
	Lens Material			Options			
SF Snap In Frosted Acrylic Lens (85% transmission) Special for LEDs, Only available for uplight and downlight				HC301WH Cable kit with 4' Cable & 3 Wires Power Feed/Cable Incl. and White Canopy			
				HC302WH Cable kit with 12' Cable & 3 Wires Power feed/Cable Incl. and White Canopy			
				HC3015WWH Cable kit with 4' Cable & 5 Wires Power Feed/Cable Incl. and White Canopy			
				HC3025WWH Cable kit with 12' Cable & 5 Wires Power feed/Cable Incl. and White Canopy			
				2SCS24WH Two Stem kits with 24" Stem, Canopy and Mounting hardware for a 4' fixture			

4 FT-UP LIGHT ONLY or DOWN LIGHT ONLY

Example: 23PSF48LUR26W2600LDMV40KWH

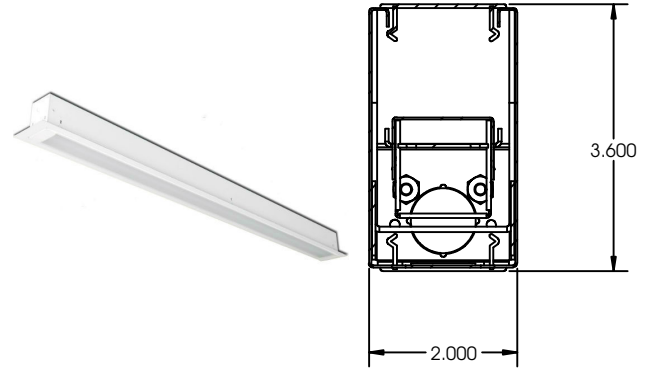
23P	SF	48L	U	R26W2600L	DMV	40K	WH	
Series		Length	Direct/Indirect		Driver			Configuration
23W Wall Mounted		48L 48"	U Up Light Only		DMV 0-10V Dimming *Field installed-Dimming Wire			Blank Individual
23P Pendant Mounted			Blank Down Light Only	Wattage & Lumen	DMVFID 0-10V Dimming *Factory installed-Dimming Wire	Color Temperature	Finish	-B Beginner Run
23R Recess Mounted, Flangeless				R26W2600L 26 System Watts, 2600 Delivered Lumens		30K 3000K	WH White	-E Ender Run
23RR 1/2" Recess Flanged For Before Drywall installation				R38W3800L 38 System Watts, 3800 Delivered Lumens		35K 3500K	BK Black	-J Joiner
23RF Flanged For Exiting Drywall installation	Lens Material			R45W4500L 45 System Watts, 4500 Delivered Lumens		40K 4000K	SI Silver	
	SF Snap In Frosted Acrylic Lens (85% transmission) Special for LEDs, Only available for uplight and downlight					50K 5000K		
					Options			
					HC301WH Cable kit with 4' Cable & 3 Wires Power Feed/Cable Incl. and White Canopy			
					HC302WH Cable kit with 12' Cable & 3 Wires Power feed/Cable Incl. and White Canopy			
					HC3015WWH Cable kit with 4' Cable & 5 Wires Power Feed/Cable Incl. and White Canopy			
					HC3025WWH Cable kit with 12' Cable & 5 Wires Power feed/Cable Incl. and White Canopy			
					2SCS24WH Two Stem kits with 24" Stem, Canopy and Mounting hardware for a 4' fixture			

*23R-Designed for standard 1" grid. Consult factory for custom made grid size.

Catalog Number:
Notes:

DIMENSIONS

All dimensions are inches. Specifications subject to change without notice.



ORDERING INFORMATION

8 FT-UP and DOWN LIGHT

Example: 23WSF96LUR24WD48WDMV40KWH

23W	SF	96L	UR24WD48W	DMV	40K	WH	
Series 23P Pendant Mounted		Length 96L 96"	Wattage & Lumen UR24WD48W Up Light 24 System Watts, Down Light 48 System Watts, 7200 Delivered Lumens UR36WD72W Up Light 36 System Watts, Down Light 72 System Watts, 10800 Delivered Lumens	Driver DMV 0-10V Dimming *Field installed-Dimming Wire DMVFID 0-10V Dimming *Factory installed-Dimming Wire	Color Temperature 30K 3000K 35K 3500K 40K 4000K 50K 5000K	Finish WH White BK Black SI Silver	Configuration Blank Individual -B Beginner Run -E Ender Run -J Joiner
Lens Material SF Snap In Frosted Acrylic Lens (85% transmission) Special for LEDs, Only available for uplight and downlight			Options HC301WH Cable kit with 4' Cable & 3 Wires Power Feed/Cable Incl. and White Canopy HC302WH Cable kit with 12' Cable & 3 Wires Power feed/Cable Incl. and White Canopy HC3015WWH Cable kit with 4' Cable & 5 Wires Power Feed/Cable Incl. and White Canopy HC3025WWH Cable kit with 12' Cable & 5 Wires Power feed/Cable Incl. and White Canopy 2SCS24WH Two Stem kits with 24" Stem, Canopy and Mounting hardware for a 4' fixture				

8 FT-UP LIGHT ONLY or DOWN LIGHT ONLY

Example: 23PSF96LUR52W5200LDMV40KWH

23P	SF	96L	U	R52W5200L	DMV	40K	WH	
Series 23W Wall Mounted 23P Pendant Mounted 23R Recess Mounted, Flangeless 23RR 1/2" Recess Flanged For Before Drywall installation 23RF Flanged For Exiting Drywall installation		Length 96L 96"	Direct/Indirect U Up Light Only Blank Down Light Only	Wattage & Lumen R52W5200L 52 System Watts, 5200 Delivered Lumens R76W7600L 76 System Watts, 7600 Delivered Lumens R90W9000L 90 System Watts, 9000 Delivered Lumens	Driver DMV 0-10V Dimming *Field installed-Dimming Wire DMVFID 0-10V Dimming *Factory installed-Dimming Wire	Color Temperature 30K 3000K 35K 3500K 40K 4000K 50K 5000K	Finish WH White BK Black SI Silver	Configuration Blank Individual -B Beginner Run -E Ender Run -J Joiner
Lens Material SF Snap In Frosted Acrylic Lens (85% transmission) Special for LEDs, Only available for uplight and downlight			Options HC301WH Cable kit with 4' Cable & 3 Wires Power Feed/Cable Incl. and White Canopy HC302WH Cable kit with 12' Cable & 3 Wires Power feed/Cable Incl. and White Canopy HC3015WWH Cable kit with 4' Cable & 5 Wires Power Feed/Cable Incl. and White Canopy HC3025WWH Cable kit with 12' Cable & 5 Wires Power feed/Cable Incl. and White Canopy 2SCS24WH Two Stem kits with 24" Stem, Canopy and Mounting hardware for a 4' fixture					

*23R-Designed for standard 1" grid. Consult factory for custom made grid size.

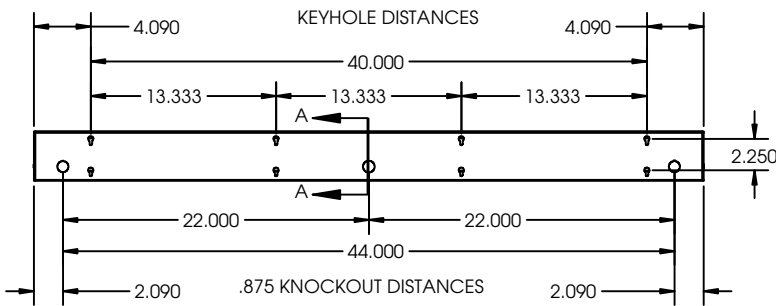
Catalog Number:
Notes:

Dimensions

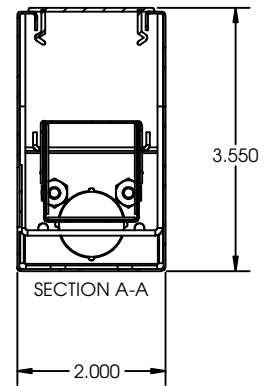
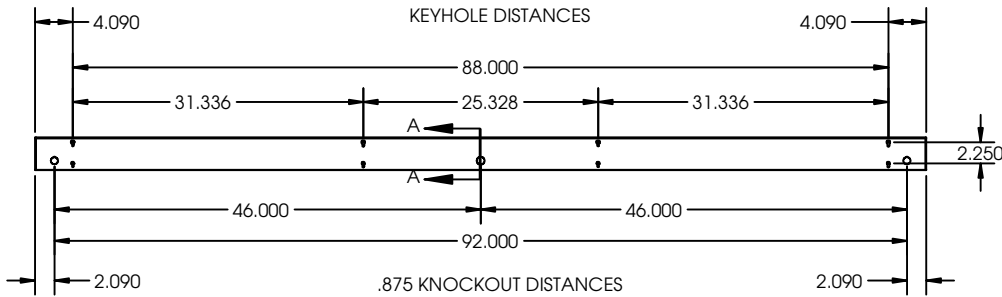
All dimensions are inches. Specifications subject to change without notice



WALL MOUNT 48L Drawing



WALL MOUNT 96L Drawing



*Consult factory for more options.

Plug in system Options - it's for continuous run application by simply plugging in sections together

Part Number	Descriptions
PI1	3 Wires Harness, Including White, Black and Green
PI2	4 Wires Harness, Including White, Black, Green and Blue for Emergency Battery Backup
PI3D	5 Wires Harness, Including White, Black, Green, Violet and Gray

* Add the accessories part numbers at the end to be factory installed

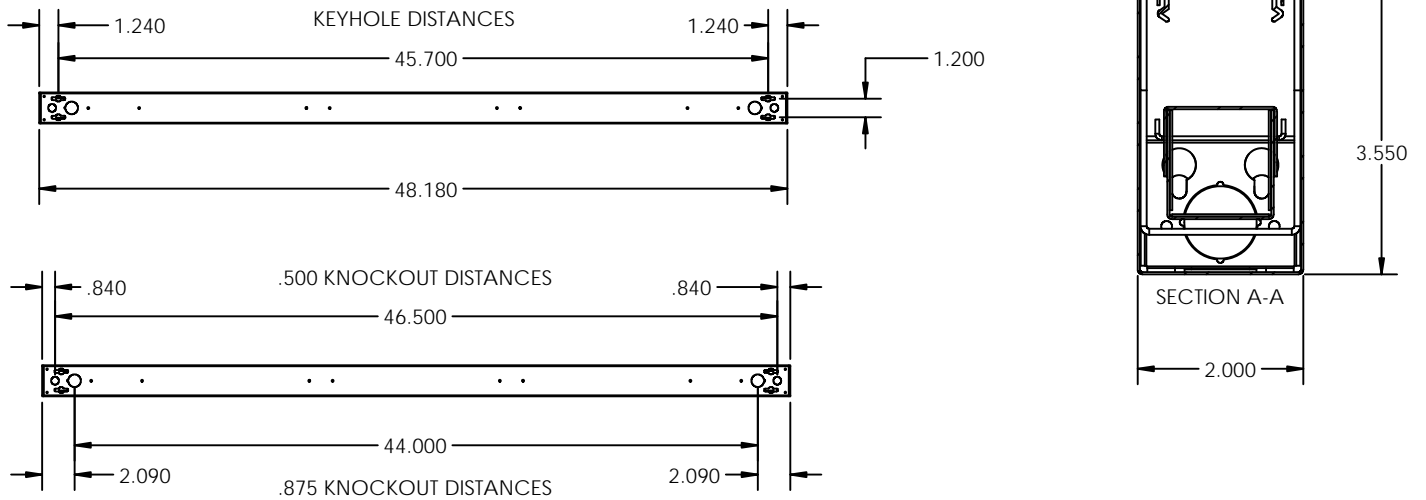
Catalog Number:
Notes:



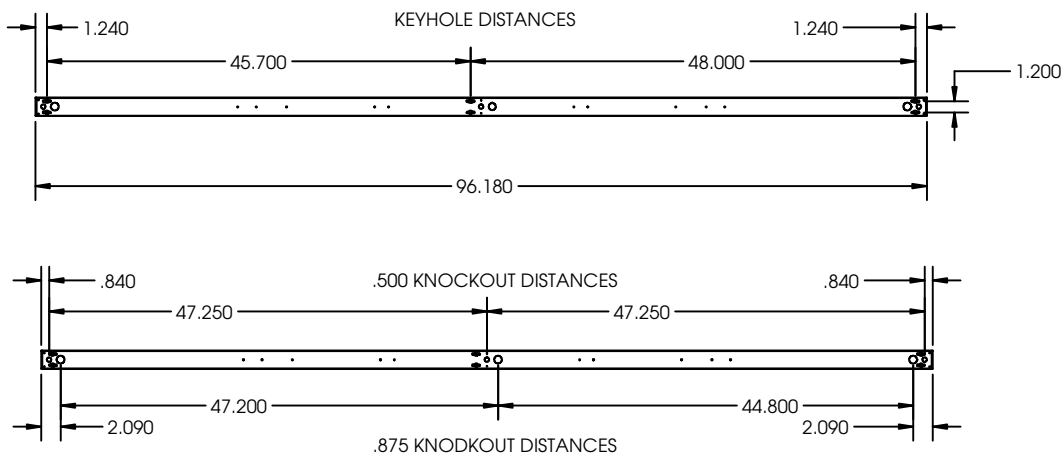
23 Series

Direct/Indirect
Wall Mount/ Surface Mount Linear Fixture

PENDANT/SURFACE MOUNT 48L Drawing

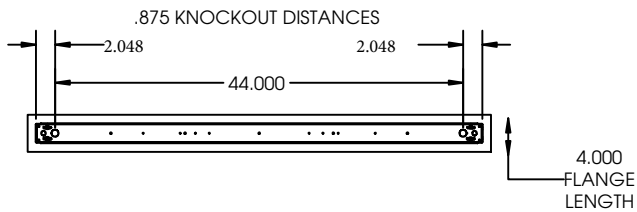
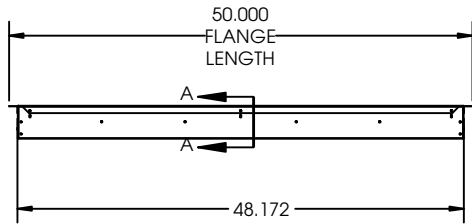


PENDANT/SURFACE MOUNT 96L Drawing

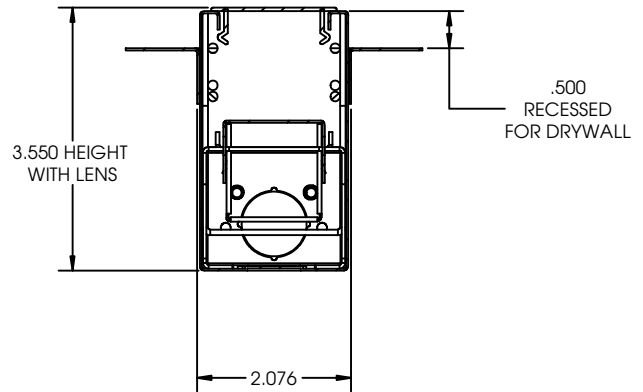


Catalog Number:
Notes:

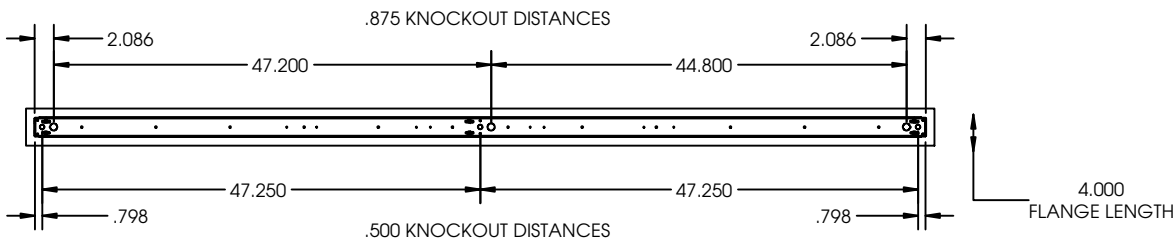
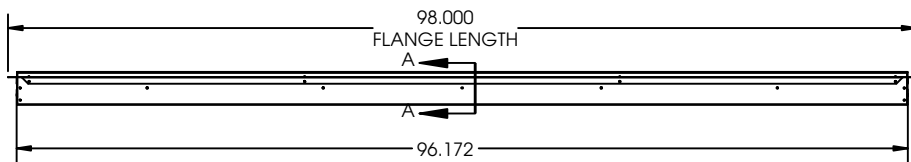
RECESSED MOUNT (RF) 48L Drawing



FLUSH FLANGE RECESS Recessed Mount (RF)



RECESSED MOUNT(RR) 96L Drawing



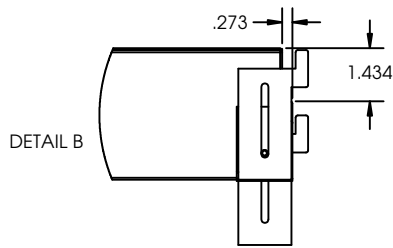
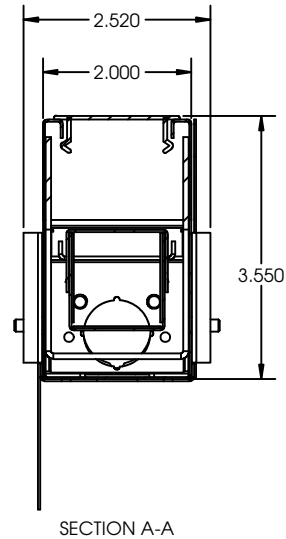
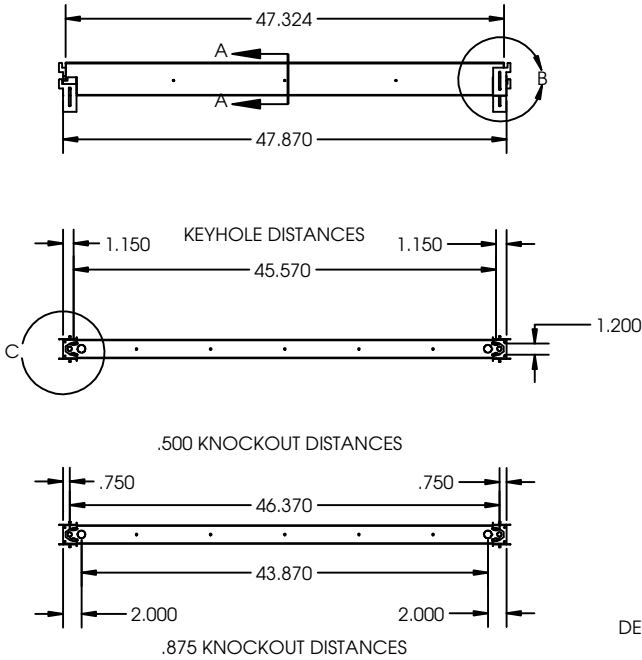
RECESS FOR DRY WALL Recessed Mount (RR)

*consult factory for custom flange depth

Catalog Number:
Notes:

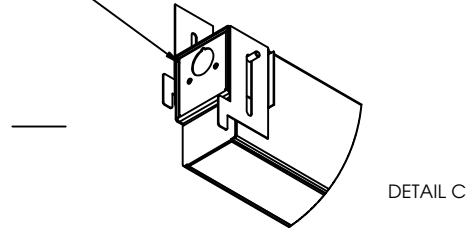
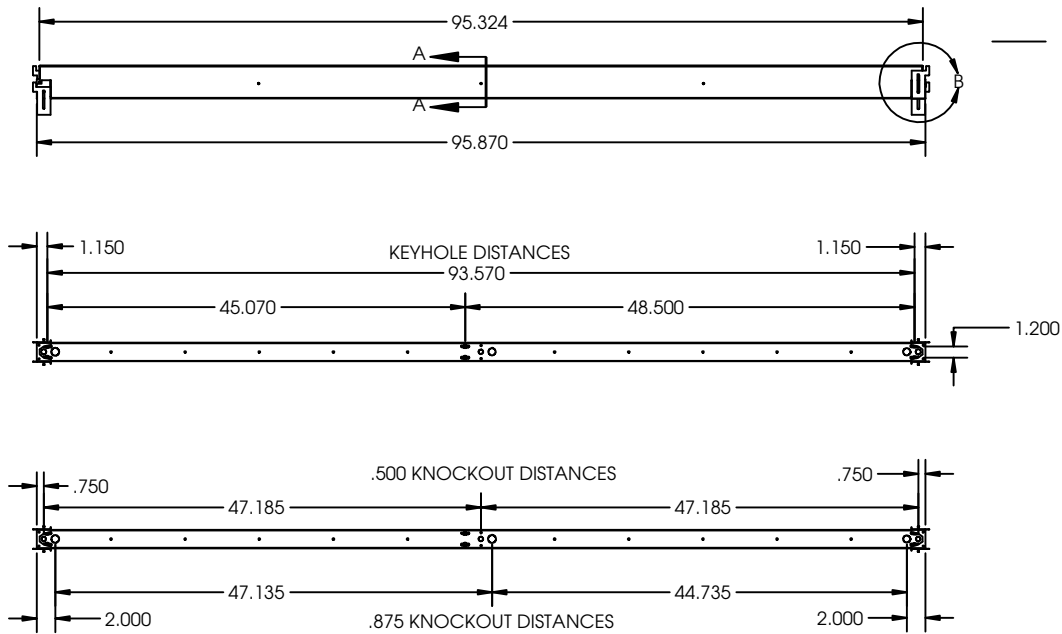
Recessed Mount for T-Bar Ceiling

RECESSED MOUNT (R) 48L Drawing



END BRACKET DESIGNED TO SIT OVER VARIOUS SIZED GRID

RECESSED MOUNT (R) 96L Drawing



Catalog Number:
Notes:

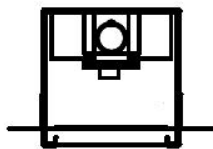
Dimensions

All dimensions are inches. Specifications subject to change without notice



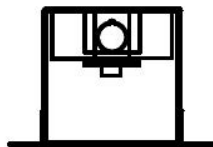
Flange Details

Type RR
Recess for Drywall/
Hard Ceiling
-RR (1/2 inch)
-RR650 (5/8 inch)
-RRxxx (custom depth)



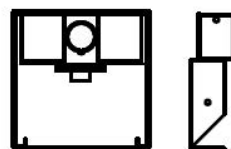
Flangeless
Appearance

Type RF
Flush for Drywall



Flanged
Appearance

Type R
For 1" T-bar



Flangeless

*23R-Designed for standard 1" grid. Consult factory for custom made grid size.

Catalog Number:

Notes: