

23 Series 4ft

Direct/Indirect/ Recessed Mount/
Wall Mount/ Surface Mount Linear Fixture



FEATURES & SPECIFICATIONS

INTENDED USE

A linear 2 x 3 fixture for distinctive architectural lighting plans. Ideal for corridors, lobbies, and office areas, 2 x 3 Series fixtures can be installed individually or in a continuous run. Specially designed for direct/indirect lighting with snap-in lens to hide the lamps or LED arrays. Ideal where downlight and uplight are required. Suitable for Dry and Damp locations.

HOUSING

Die-formed and welded 22-gauge cold rolled steel knockouts on ends allow continuous wireway mounting. Housing is specially designed for direct/indirect lighting with separating lamps compartments for each.

DIFFUSERS

Fixture accepts various lenses or louvers. 4' and 8' units have a steel mullion to join two individual diffusers. Snap in reflector is ideal for uplight lens.



MOUNTING

Fixtures can be surface mounted to the ceiling or pendant hung by stem or cable.

TYPICAL OPTIONS AND ACCESSORIES Cord sets, whips, occupancy sensors Hanging kits, Wire guards. Contact factory for additional options.

ORDERING INFORMATION

4 FT-UP and DOWN LIGHT

Example: 23WSF48LUR12WD24WDMV40KWH

23W	SF	48L	UR12WD24W	DMV	40K	WH	
Series		Length		Driver			Configuration
23W Wall Mounted		48L 48"		DMV 0-10V Dimming *Field installed-Dimming Wire			Blank Individual
23P Pendant Mounted			Wattage & Lumen	DMVFID 0-10V Dimming *Factory installed-Dimming Wire	Color Temperature	Finish	-B Beginner Run
			UR12WD24W Up Light 12 System Watts, Down Light 24 System Watts, 3600 Delivered Lumens		30K 3000K	WH White	-E Ender Run
			UR18WD36W Up Light 18 System Watts, Down Light 36 System Watts, 5400 Delivered Lumens		35K 3500K	BK Black	-J Joiner
					40K 4000K	SI Silver	
					50K 5000K		
	Lens Material				Options		
	SF Snap In Frosted Acrylic Lens (85% transmission) Special for LEDs, Only available for uplight and downlight				HC301WH Cable kit with 4' Cable & 3 Wires Power Feed/Cable Incl. and White Canopy		
					HC302WH Cable kit with 12' Cable & 3 Wires Power feed/Cable Incl. and White Canopy		
					HC3015WWH Cable kit with 4' Cable & 5 Wires Power Feed/Cable Incl. and White Canopy		
					HC3025WWH Cable kit with 12' Cable & 5 Wires Power feed/Cable Incl. and White Canopy		
					2SCS24WH Two Stem kits with 24" Stem, Canopy and Mounting hardware for a 4' fixture		

4 FT-UP LIGHT ONLY or DOWN LIGHT ONLY

Example: 23PSF48LUR26W2600LDMV40KWH

23P	SF	48L	U	R26W2600L	DMV	40K	WH	
Series		Length	Direct/Indirect		Driver			Configuration
23W Wall Mounted		48L 48"	U Up Light Only		DMV 0-10V Dimming *Field installed-Dimming Wire	Color Temperature	Finish	Blank Individual
23P Pendant Mounted			Blank Down Light Only	Wattage & Lumen	DMVFID 0-10V Dimming *Factory installed-Dimming Wire	30K 3000K	WH White	-B Beginner Run
23R Recess Mounted, Flangeless				R26W2600L 26 System Watts, 2600 Delivered Lumens		35K 3500K	BK Black	-E Ender Run
23RR 1/2" Recess Flanged For Before Drywall installation				R38W3800L 38 System Watts, 3800 Delivered Lumens		40K 4000K	SI Silver	-J Joiner
23RF Flanged For Exiting Drywall installation	Lens Material			R45W4500L 45 System Watts, 4500 Delivered Lumens		50K 5000K		
	SF Snap In Frosted Acrylic Lens (85% transmission) Special for LEDs, Only available for uplight and downlight					Options		
						HC301WH Cable kit with 4' Cable & 3 Wires Power Feed/Cable Incl. and White Canopy		
						HC302WH Cable kit with 12' Cable & 3 Wires Power feed/Cable Incl. and White Canopy		
						HC3015WWH Cable kit with 4' Cable & 5 Wires Power Feed/Cable Incl. and White Canopy		
						HC3025WWH Cable kit with 12' Cable & 5 Wires Power feed/Cable Incl. and White Canopy		
						2SCS24WH Two Stem kits with 24" Stem, Canopy and Mounting hardware for a 4' fixture		

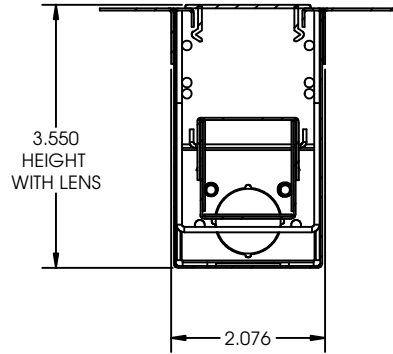
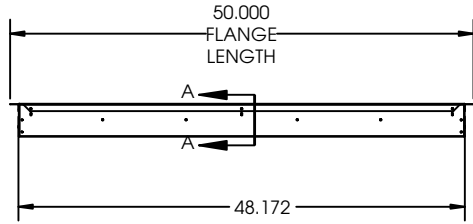
*23R-Designed for standard 1" grid. Consult factory for custom made grid size.

23 Series

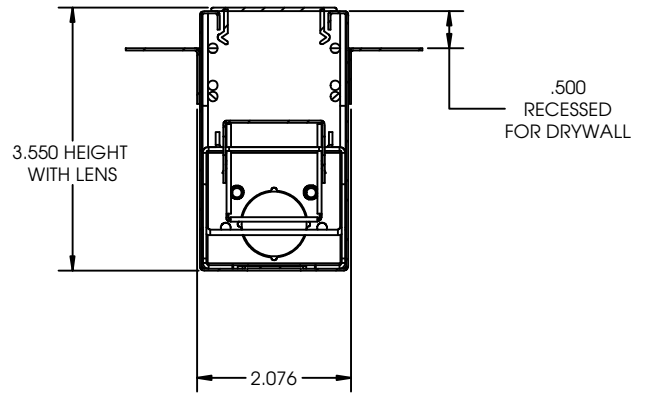
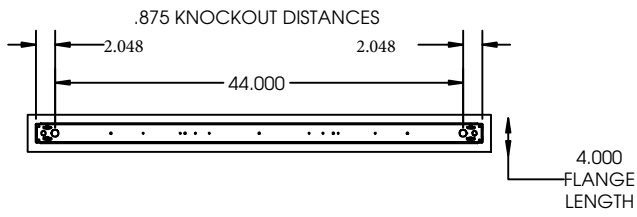
Recessed Mount Linear Fixture



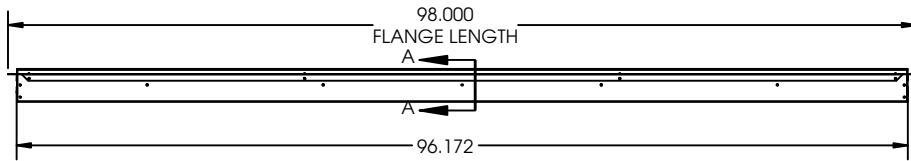
RECESSED MOUNT (RF) 48L Drawing



FLUSH FLANGE RECESS Recessed Mount (RF)



RECESSED MOUNT(RR) 96L Drawing



RECESS FOR DRY WALL Recessed Mount (RR)

*consult factory for custom flange depth

