

# Series UGT

## LED Nlpgct 'Surface Mount



### FEATURES & SPECIFICATIONS

#### INTENDED USE

Full body micro silhouette makes a bold statement with a minimal design in r quv r clpvf 'lp'r qy fgt'eqcvf 'hrv'y j kg'r qn' gvgf finish (consult factory for other finishes). Scaled to the LED module the matte white diffuser surrounds the LEDs for soft lighting. Fixture can be surface mounted on wall or ceiling or pendant mounted with specially engineering cable mounting kit.

#### SIZE H x W x L in inches

- 3.93"H x 3.79"W x 23.60"L

- 3.93"H x 3.79"W x 47.20"L

/ '5Q 5\$J 'z '5Q; \$Y 'z'; 6Q62\$N

#### MATERIALS & FEATURES

- Fully assembled housing is formed and welded, 22 gauge steel, chemically treated to resist corrosion and enhance paint adhesion
- Can be mounted individually or in continuous row
- Available with smooth frosted lens
- Knock-outs on back accept standard electrical fittings (by others) Consult factory for other locations
- Dimming ballast options available (consult factory for availability and system compatibility)



#### MOUNTING

Surface mount or Pendant mount.  
Horizontal or Vertical.

#### TYPICAL OPTIONS AND ACCESSORIES

Whips, fuses, and cord sets. See options page at the end of the T02Strip section, or contact factory for more details.



### ORDERING INFORMATION

Example: SERFR24LR14W1400LDMV40KWH

#### 2FT

Series	Lens	Width	Wattage and Lumen	Driver	Color Temperature	Finish	Configuration
SER LED Linear Surface Mounted	FR Frosted Lens	24L 24" 23.60"	R14W1400L 14 System Watts, 1400 Delivered Lumens  R20W2000L 20 System Watts, 2000 Delivered Lumens	DMV 0-10V Dimming *Field installed-Dimming Wire  DMVFID 0-10V Dimming *Factory installed-Dimming Wire	40K 30K 3000K 35K 3500K 40K 4000K 50K 5000K	WH White (standard)  Option: BK Black BN Brushed Nickel	Blank Individual -B Beginner Run -E Ender Run -J Joiner

#### 4FT

Series	Lens	Width	Wattage and Lumen	Driver	Color Temperature	Finish	Configuration
SER LED Linear Surface Mounted	FR Frosted Lens	48L 48" 47.2"	R28W2800L 28 System Watts, 2800 Delivered Lumens  R40W4000L 40 System Watts, 4000 Delivered Lumens	DMV 0-10V Dimming *Field installed-Dimming Wire  DMVFID 0-10V Dimming *Factory installed-Dimming Wire	40K 30K 3000K 35K 3500K 40K 4000K 50K 5000K	WH White (standard)  Option: BK Black BN Brushed Nickel	Blank Individual -B Beginner Run -E Ender Run -J Joiner

Example: SERFR48LR28W2800LDMV40KWH



### Physical Specs

SIZE 2.25" H x 1.38" W x 0.82" D  
(5.715 cm x 3.51 cm x 2.08 cm)  
WEIGHT 4 oz  
MOUNTING Snaps into 2 3/16" H x 1 5/16" W x 1" D cavity in fixture  
COLOR White

### Occupancy Sensor

Self-Contained Relay,  
No Power Pack Needed  
No Minimum Load Requirements  
Interchangeable Hot & Load Wires,  
Impossible to Wire Backwards  
Push-Button Programmable  
Adjustable Time Delays  
No Field Calibration or Sensitivity  
Adjustments Required  
Convenient Test Mode  
100 hr Lamp Burn-in Timer  
Green LED Indicator



Add "SS" in front of "SER" for Occupancy Sensor

## 8FT

Example: SERFR96LR56W5600LDMV40KWH

<b>SER</b>	<b>FR</b>	<b>96L</b>	<b>R56W5600L</b>		<b>DMV</b>	<b>40K</b>	<b>WH</b>	
<b>Series</b>		<b>Width</b>	<b>Wattage and Lumen</b>		<b>Driver</b>	<b>Color Temperature</b>	<b>Finish</b>	<b>Configuration</b>
SER		96L 94.40"	<b>R56W5600L</b>	56 System Watts, 5600 Delivered Lumens	DMV	30K 3000K 35K 3500K 40K 4000K 50K 5000K	<b>WH</b> White (standard)	<b>Blank</b> Individual
LED Linear Surface Mounted			<b>R80W8000L</b>	80 System Watts, 8000 Delivered Lumens			<b>Option:</b>	<b>-B</b> Beginner Run
	<b>Lens</b>						<b>BK</b> Black	<b>-E</b> Ender Run
	FR Frosted Lens						<b>BN</b> Brushed Nickel	<b>-J</b> Joiner
					DMV 0-10V Dimming *Field installed-Dimming Wire			
					DMVFID 0-10V Dimming *Factory installed-Dimming Wire			

## Accessories-Hanging Kit Options

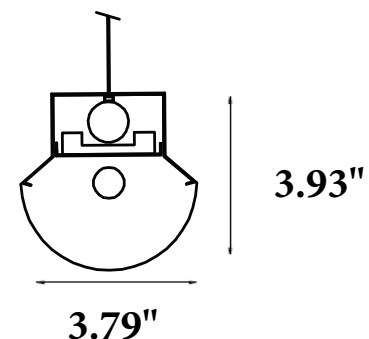
Part Number	Descriptions
HC501WH	Cable kit with 4' Cable & 3 Wires Power Feed/Cable Incl. and White Canopy
HC502WH	Cable kit with 12' Cable & 3 Wires Power feed/Cable Incl. and White Canopy
HC5015WWH	Cable kit with 4' Cable & 5 Wires Power Feed/Cable Incl. and White Canopy
HC5025WWH	Cable kit with 12' Cable & 5 Wires Power feed/Cable Incl. and White Canopy
2SCS24WH	Two Stem kits with 24" Stem, Canopy and Mounting hardware for a 4' fixture

## Plug in system Options - it's for continuous run application by simply plugging in sections together

Part Number	Descriptions
PI1	3 Wires Harness, Including White, Black and Green
PI2	4 Wires Harness, Including White, Black, Green and Blue for Emergency Battery Backup
PI3D	5 Wires Harness, Including White, Black, Green, Violet and Gray

\* Add the accessories part numbers at the end to be factory installed

## DIMENSIONS



### DIMENSIONS

All dimensions are inches. Specifications subject to change without notice.