

Series UGT

LED Nlpgct 'Surface Mount



FEATURES & SPECIFICATIONS

INTENDED USE

Full body micro silhouette makes a bold statement with a minimal design in r quv r clpvf 'lp'r qy fgt'eqcvf 'hrv'y j kg'r qn' gvgf finish (consult factory for other finishes). Scaled to the LED module the matte white diffuser surrounds the LEDs for soft lighting. Fixture can be surface mounted on wall or ceiling or pendant mounted with specially engineering cable mounting kit.

SIZE H x W x L in inches

- 3.93"H x 3.79"W x 23.60"L

- 3.93"H x 3.79"W x 47.20"L

/ '5Q 5\$J 'z '5Q; \$Y 'z'; 6Q62\$N

MATERIALS & FEATURES

- Fully assembled housing is formed and welded, 22 gauge steel, chemically treated to resist corrosion and enhance paint adhesion
- Can be mounted individually or in continuous row
- Available with smooth frosted lens
- Knock-outs on back accept standard electrical fittings (by others) Consult factory for other locations
- Dimming ballast options available (consult factory for availability and system compatibility)



MOUNTING

Surface mount or Pendant mount.
Horizontal or Vertical.

TYPICAL OPTIONS AND ACCESSORIES

Whips, fuses, and cord sets. See options page at the end of the T02Strip section, or contact factory for more details.



ORDERING INFORMATION

Example: SERFR24LR14W1400LDMV40KWH

2FT

Series	Lens	Width	Wattage and Lumen	Driver	Color Temperature	Finish	Configuration
SER LED Linear Surface Mounted	FR Frosted Lens	24L 24" 23.60"	R14W1400L 14 System Watts, 1400 Delivered Lumens R20W2000L 20 System Watts, 2000 Delivered Lumens	DMV 0-10V Dimming *Field installed-Dimming Wire DMVFID 0-10V Dimming *Factory installed-Dimming Wire	40K 30K 3000K 35K 3500K 40K 4000K 50K 5000K	WH White (standard) Option: BK Black BN Brushed Nickel	Blank Individual -B Beginner Run -E Ender Run -J Joiner

4FT

Series	Lens	Width	Wattage and Lumen	Driver	Color Temperature	Finish	Configuration
SER LED Linear Surface Mounted	FR Frosted Lens	48L 48" 47.2"	R28W2800L 28 System Watts, 2800 Delivered Lumens R40W4000L 40 System Watts, 4000 Delivered Lumens	DMV 0-10V Dimming *Field installed-Dimming Wire DMVFID 0-10V Dimming *Factory installed-Dimming Wire	40K 30K 3000K 35K 3500K 40K 4000K 50K 5000K	WH White (standard) Option: BK Black BN Brushed Nickel	Blank Individual -B Beginner Run -E Ender Run -J Joiner

Example: SERFR48LR28W2800LDMV40KWH



Physical Specs

SIZE 2.25" H x 1.38" W x 0.82" D
(5.715 cm x 3.51 cm x 2.08 cm)
WEIGHT 4 oz
MOUNTING Snaps into 2 3/16" H x 1 5/16" W x 1" D cavity in fixture
COLOR White

Occupancy Sensor

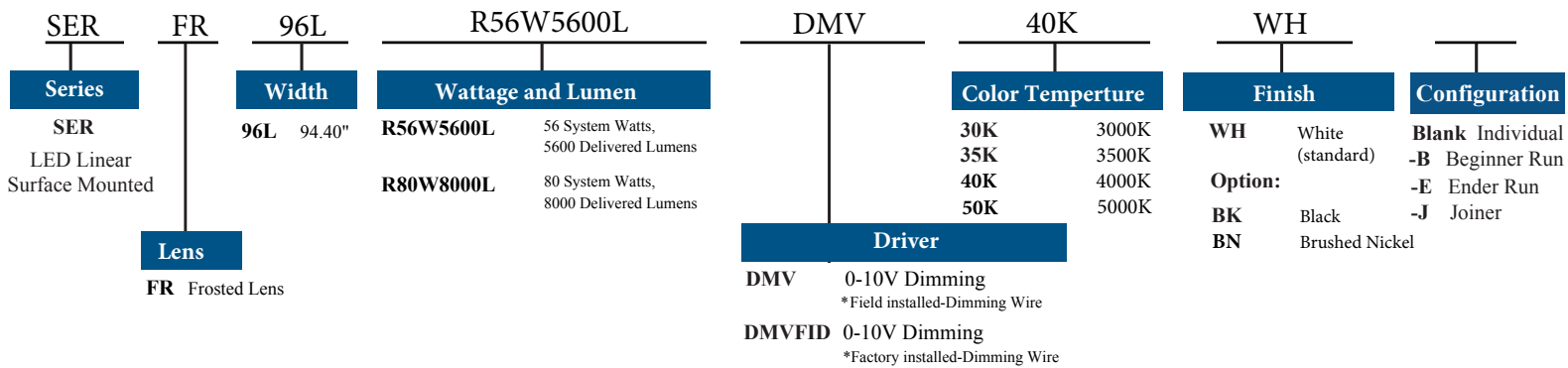
Self-Contained Relay,
No Power Pack Needed
No Minimum Load Requirements
Interchangeable Hot & Load Wires,
Impossible to Wire Backwards
Push-Button Programmable
Adjustable Time Delays
No Field Calibration or Sensitivity
Adjustments Required
Convenient Test Mode
100 hr Lamp Burn-in Timer
Green LED Indicator



Add "SS" in front of "SER" for Occupancy Sensor

8FT

Example: SERFR96LR56W5600LDMV40KWH



Accessories-Hanging Kit Options

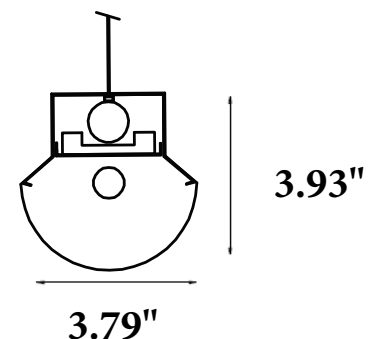
Part Number	Descriptions
HC501WH	Cable kit with 4' Cable & 3 Wires Power Feed/Cable Incl. and White Canopy
HC502WH	Cable kit with 12' Cable & 3 Wires Power feed/Cable Incl. and White Canopy
HC5015WWH	Cable kit with 4' Cable & 5 Wires Power Feed/Cable Incl. and White Canopy
HC5025WWH	Cable kit with 12' Cable & 5 Wires Power feed/Cable Incl. and White Canopy
2SCS24WH	Two Stem kits with 24" Stem, Canopy and Mounting hardware for a 4' fixture

Plug in system Options - it's for continuous run application by simply plugging in sections together

Part Number	Descriptions
PI1	3 Wires Harness, Including White, Black and Green
PI2	4 Wires Harness, Including White, Black, Green and Blue for Emergency Battery Backup
PI3D	5 Wires Harness, Including White, Black, Green, Violet and Gray

* Add the accessories part numbers at the end to be factory installed

DIMENSIONS



DIMENSIONS

All dimensions are inches. Specifications subject to change without notice.