



Series UGS25

Recessed Mount LED Strip with Optional Sensor



FEATURES & SPECIFICATIONS

INTENDED USE

Full body micro silhouette makes a bold statement with a minimal design in r quv r clpvgf "kp'r qy f gt"eqcvgf "hrcv'y j kg'r qn[gvgt finish (consult factory for other finishes). Scaled to the LED module the matte white diffuser surrounds the LEDs for soft lighting. Fixture can be recessed mounted on wall or ceiling.

SIZE H x W x L in inches

- 3.25"H x 2.375"W x 48"L
/'3.25\$J 'z'2.375\$Y 'z'96\$N

MATERIALS & FEATURES

- Fully assembled housing is formed and welded, 22 gauge steel, chemically treated to resist corrosion and enhance paint adhesion
- Can be mounted individually or in continuous row
- Available with smooth frosted lens
- Knock-outs on back accept standard electrical fittings (by others) Consult factory for other locations
- Dimming ballast options available (consult factory for availability and system compatibility)

MOUNTING

Recessed mount. Horizontal or Vertical.

TYPICAL OPTIONS AND ACCESSORIES

Occupancy Sensor, Whips, fuses, and custom finish.

ORDERING INFORMATION

Example: SES25RFSF48LR26W2600LDMV40KWH

4FT

Series	Series	Width	Wattage and Lumen	Color Temperture	Finish
SS Occupancy Sensor (ON WHEN OCCUPIED, OFF WHEN NOT)	SES25RF LED Linear Recessed Mounted	48L 47.20"	R26W2600L 26 System Watts, 2600 Delivered Lumens	30K 3000K 35K 3500K 40K 4000K 50K 5000K	WH White (standard)
SD Daylight Harvesting Sensor	Lens SF Snap in Frosted Acrylic Lens		R38W3800L 38 System Watts, 3800 Delivered Lumens		Option: BK Black BN Brushed Nickel
Blank Metal Plate Cover			R45W4500L 45 System Watts, 4500 Delivered Lumens		
				Driver DMV 0-10V Dimming *Field installed-Dimming Wire STMV* Step Dimming *Dimming Range 50%/100% Output current	

*Step Dim Recommended for bi-level lighting when using the SS occupancy sensor version.

Catalog Number:
Notes:

Occupancy Sensor

- Self-Contained Relay,
- No Power Pack Needed
- No Minimum Load Requirements
- Interchangeable Hot & Load Wires,
- Impossible to Wire Backwards
- Push-Button Programmable
- Adjustable Time Delays
- No Field Calibration or Sensitivity
- Adjustments Required
- Convenient Test Mode
- 100 hr Lamp Burn-in Timer
- Green LED Indicator

Physical Specs

- SIZE 2.25" H x 1.38" W x 0.82" D
(5.715 cm x 3.51 cm x 2.08 cm)
- WEIGHT 4 oz
- MOUNTING Snaps into 2 3/16" H x 1 5/16" W x 1" D cavity in fixture
- COLOR White



8FT

Example: SES25RFSF96LR52W5200LDMV40KWH

Series	Series	Width	Wattage and Lumen		Color Temperature		Finish	
SS Occupancy Sensor (ON WHEN OCCUPIED, OFF WHEN NOT)	SES25RF LED Linear Recessed Mounted	96L 96"	R52W5200L 52 System Watts, 5200 Delivered Lumens		30K 3000K	3500K	WH White (standard)	
SD Daylight Harvesting Sensor			R76W7600L 76 System Watts, 7600 Delivered Lumens		40K 4000K	5000K	Option:	
Blank Metal Plate Cover	Lens SF Snap in Frosted Acrylic Lens		R90W9000L 90 System Watts, 9000 Delivered Lumens		Driver		BK	
					DMV 0-10V Dimming *Field installed-Dimming Wire		BN	
					STMV* Step Dimming			
					*Dimming Range 50%/100% Output current			

*Step Dim Recommended for bi-level lighting when using the SS occupancy sensor version.

Plug in system Options - it's for continuous run application by simply plugging in sections together

Part Number	Descriptions
PI1	3 Wires Harness, Including White, Black and Green
PI2	4 Wires Harness, Including White, Black, Green and Blue for Emergency Battery Backup
PI3D	5 Wires Harness, Including White, Black, Green, Violet and Gray

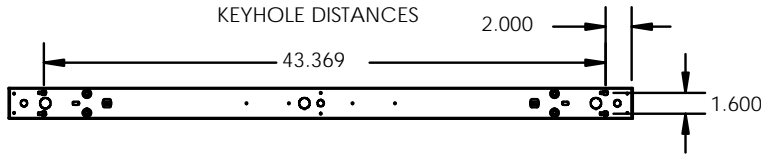
* Add the accessories part numbers at the end to be factory installed

Catalog Number:
Notes:

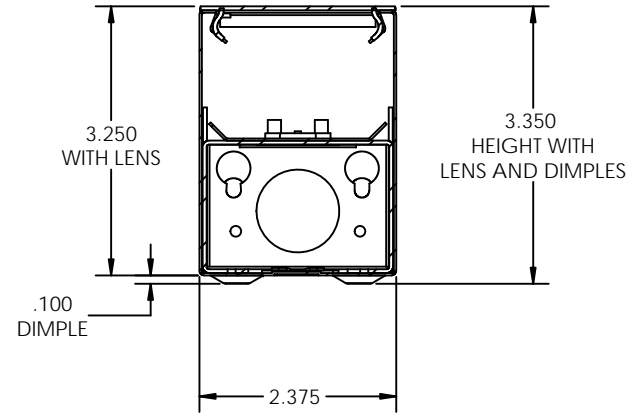
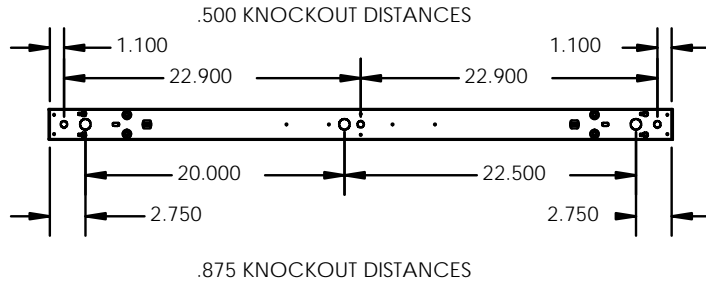
DIMENSIONS

All dimensions are inches. Specifications subject to change without notice.

4ft Fixture Dimensions

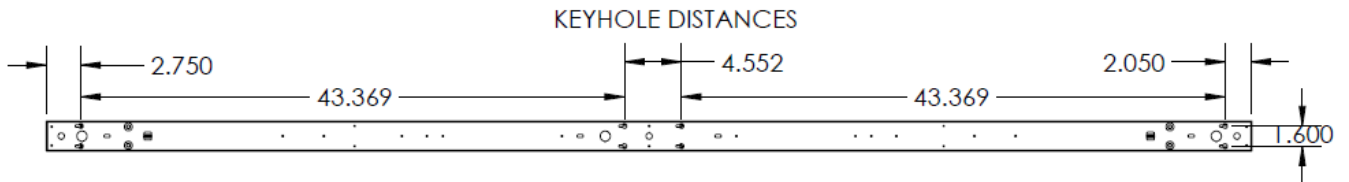


BOTTOM VIEW

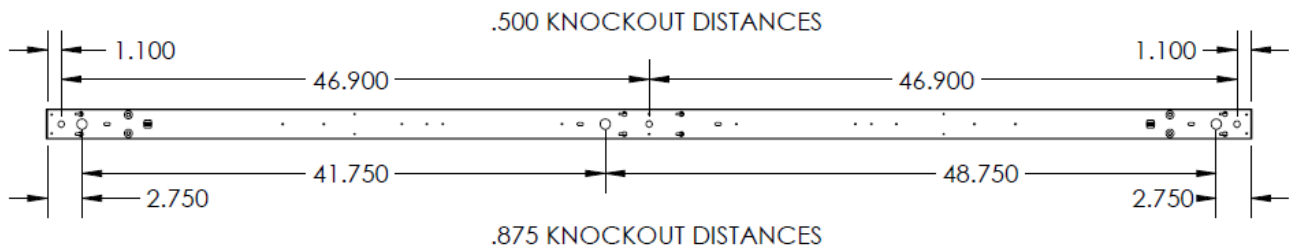


END VIEW

8ft Fixture Dimensions



BOTTOM VIEW



Catalog Numbe: