

### INTENDED USE

A linear 4 x 4 fixture for distinctive architectural lighting plans. Ideal for corridors, lobbies, and office areas, 4 x 4 Series fixtures can be installed individually or in group patterns. Suitable for Dry and Damp locations.

### SIZE W x L x H in inches (mm)

4ft. - 4" x 48" x 4"

8ft. - 4" x 96" x 4"

### HOUSING

Die-formed and welded 22-gauge cold rolled steel Knockouts on ends allow continuous wireway mounting. A 1/2" regressed flange at the bottom insures uniformity and rigidity. Uplight fixtures have 1/2" x 4" apertures along the top of the housing to provide approximately uniform ambient uplight for ceiling illumination.

### DRIVER

120V-277V Input Voltage, 50-60Hz, 0-10V Dimming Control, 10-100% Dimming Range, -30C to 50C Operating Temperature

### DIFFUSERS (not included)

Fixture accepts various lenses or louvers. 4' and 8' units have a steel mullion to join two individual diffusers.



### MOUNTING

Fixtures can be surface mounted to the ceiling or pendant hung by stem or cable.

### TYPICAL OPTIONS AND ACCESSORIES

Cord sets, whips, occupancy sensors Hanging kits, Wire guards. Contact factory for additional options.

## ORDERING INFORMATION

### 4FT

Example: 44SMW48LUR24W2400LDMV40KWH

<b>44S</b>	<b>MW</b>	<b>48L</b>	<b>U</b>	<b>R24W2400L</b>	<b>DMV</b>	<b>40K</b>	<b>WH</b>
<b>Series</b>		<b>Length</b>		<b>Wattage &amp; Lumen</b>		<b>Color Temperature</b>	<b>Finish</b>
44W Wall Mount		48L 48" 48L 48"		R24W2400L 24 System Watts, 2400 Delivered Lumens		30K 3000K 35K 3500K 40K 4000K 50K 5000K	WH White BK Black SI Silver
44WW Wall Mount Wall Wash			<b>Direct/Indirect</b>	R48W4800L 48 System Watts, 4800 Delivered Lumens			
44P Pendant Mount Direct Only			U Up Light Only Blank Down Light Only		<b>Driver</b>		
44PW Pendant Mount Wall Wash Direct Only					DMV 0-10V Dimming *Field installed-Dimming Wire		
	<b>Lens Material</b>				DMVFID 0-10V Dimming *Factory installed-Dimming Wire		
	SP1 Specular Parabolic Louver						
	PLA White Cubed Acrylic Louver						
	BL Bladed Louver Semi Specular						
	A Prismatic Acrylic #12 pattern						
	MW Matte White Lens						
	SF Snap In Frosted Acrylic Lens (85% transmission) *Special for LEDs						
					<b>Options</b>		
				HC301WH Cable kit with 4' Cable & 3 Wires Power Feed/Cable Incl. and White Canopy			
				HC302WH Cable kit with 12' Cable & 3 Wires Power feed/Cable Incl. and White Canopy			
				HC3015WWH Cable kit with 4' Cable & 5 Wires Power Feed/Cable Incl. and White Canopy			
				HC3025WWH Cable kit with 12' Cable & 5 Wires Power feed/Cable Incl. and White Canopy			
				2SCS24WH Two Stem kits with 24" Stem, Canopy and Mounting hardware for a 4' fixture			
				EM 10W Battery Backup for 90mins			
				HC3014WH Cable kit with 4' Cable & 4 Wires Power Feed/Cable Incl. and White Canopy ( for EM unit only)			
				HC3016WWH Cable kit with 4' Cable & 6 Wires Power feed/Cable Incl. and White Canopy ( for EM unit only)			

## Plug in system Options - it's for continuous run application by simply plugging in sections together

Part Number	Descriptions
PI1	3 Wires Harness, Including White, Black and Green
PI2	4 Wires Harness, Including White, Black, Green and Blue for Emergency Battery Backup
PI3D	5 Wires Harness, Including White, Black, Green, Violet and Gray

\* Add the accessories part numbers at the end to be factory installed

Notes \*Custom length available. Consult factory for additional information.

# 44 Series 8ft

Wall Mount/ Surface Mount Linear Fixture

## FEATURES & SPECIFICATIONS

### Occupancy Sensor

- Self-Contained Relay,
- No Power Pack Needed
- No Minimum Load Requirements
- Interchangeable Hot & Load Wires,
- Impossible to Wire Backwards
- Push-Button Programmable
- Adjustable Time Delays
- No Field Calibration or Sensitivity Adjustments Required
- Convenient Test Mode
- 100 hr Lamp Burn-in Timer
- Green LED Indicator

### Physical Specs

- SIZE 2.25" H x 1.38" W x 0.82" D (5.715 cm x 3.51 cm x 2.08 cm)
- WEIGHT 4 oz
- MOUNTING Snaps into 2 3/16" H x 1 5/16" W x 1" D cavity in fixture
- COLOR White



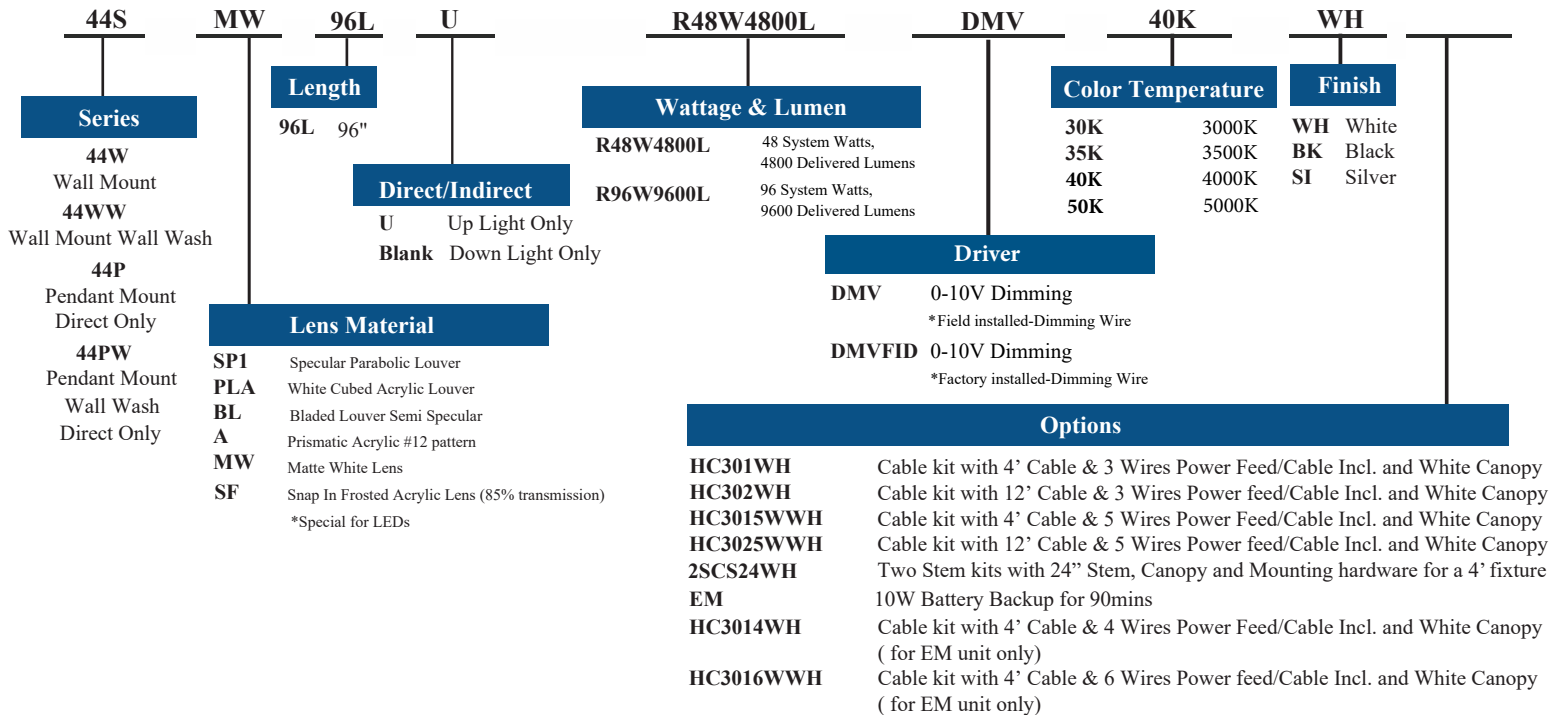
## ORDERING INFORMATION

Add "SS" in front of **44** for Occupancy Sensor



## ORDERING INFORMATION STANDARD

Example: 44SMW96LR48W4800LDMV40KWH



## Plug in system Options - it's for continuous run application by simply plugging in sections together

Part Number	Descriptions
PI1	3 Wires Harness, Including White, Black and Green
PI2	4 Wires Harness, Including White, Black, Green and Blue for Emergency Battery Backup
PI3D	5 Wires Harness, Including White, Black, Green, Violet and Gray

\* Add the accessories part numbers at the end to be factory installed

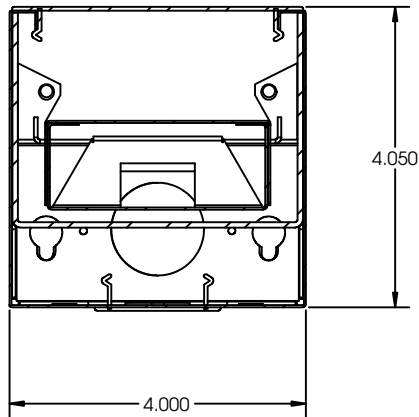
## Pendant Mount Up and Down Light Drawing



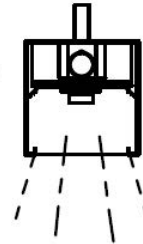
### DIMENSIONS

All dimensions are inches. Specifications subject to change without notice

### Side View

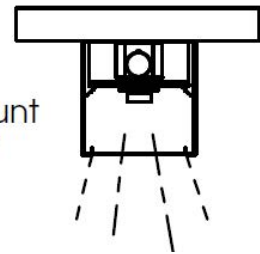


Type **P**  
Pendant Mount

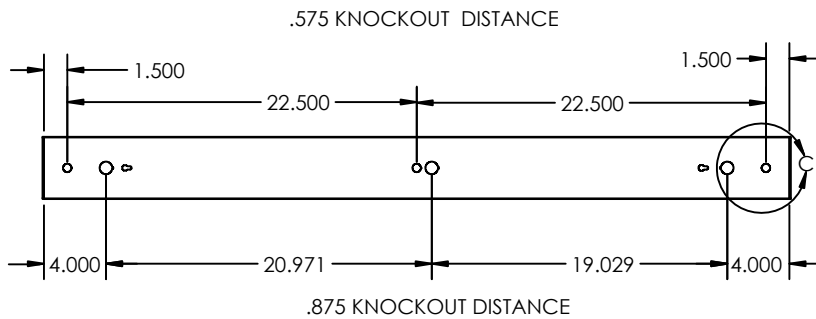


or

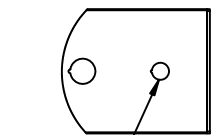
Surface Mount  
Direct only



### 4FT Dimensions

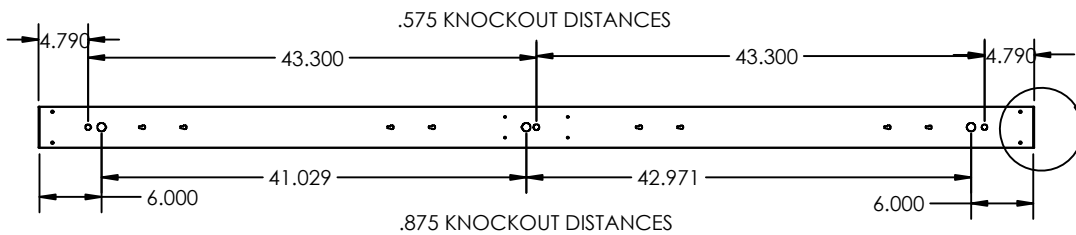


DETAIL C

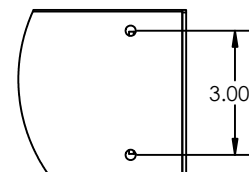


.575" KO

### 8FT Dimensions



DETAIL B



3.000  
Ø.250 CABLE  
MOUNTINGHOLES



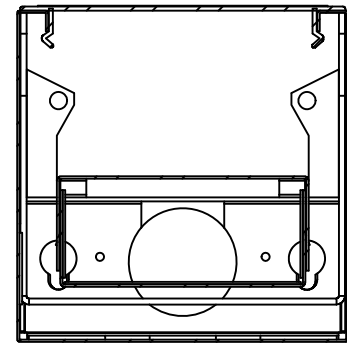
Notes \*Custom length available. Consult factory for additional information.



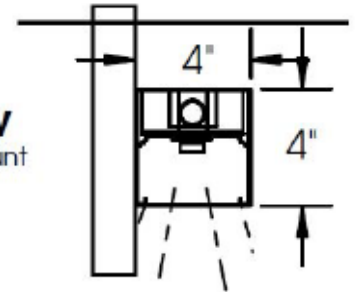
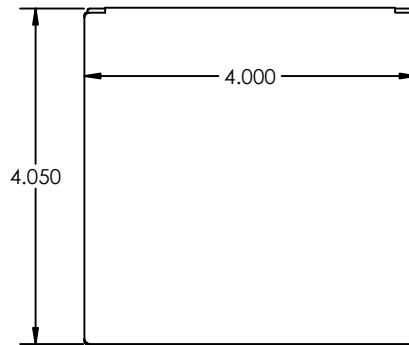
### DIMENSIONS

All dimensions are inches. Specifications subject to change without notice

### Side View

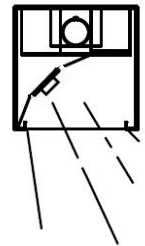


SECTION B-B

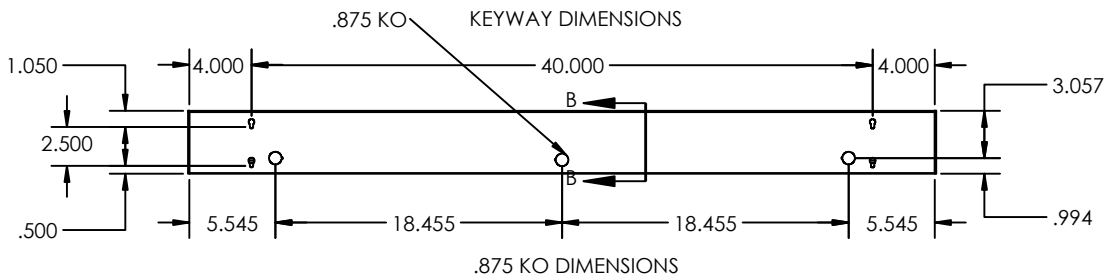


Type **W**  
wallmount

Type **WW**  
Wall Wash



### 4FT Dimensions



### 8FT Dimensions

