

### INTENDED USE

A linear 4 x 4 fixture for distinctive architectural lighting plans. Ideal for corridors, lobbies, and office areas, 4 x 4 Series fixtures can be installed individually or in group patterns. Suitable for Dry and Damp locations.

### SIZE W x L x H in inches (mm)

4ft. - 4" x 48" x 4"

8ft. - 4" x 96" x 4"

### HOUSING

Die-formed and welded 22-gauge cold rolled steel Knockouts on ends allow continuous wireway mounting. A 1/2" regressed flange at the bottom insures uniformity and rigidity. Uplight fixtures have 1/2" x 4" apertures along the top of the housing to provide approximately uniform ambient uplight for ceiling illumination.

### DRIVER

120V-277V Input Voltage, 50-60Hz, 0-10V Dimming Control, 10-100% Dimming Range, -30C to 50C Operating Temperature

### DIFFUSERS (not included)

Fixture accepts various lenses or louvers. 4' and 8' units have a steel mullion to join two individual diffusers.



### MOUNTING

Fixtures can be surface mounted to the ceiling or pendant hung by stem or cable.

### TYPICAL OPTIONS AND ACCESSORIES

Cord sets, whips, occupancy sensors Hanging kits, Wire guards. Contact factory for additional options.

## ORDERING INFORMATION

### 4FT

Example: 44SMW48LUR24W2400LDMV40KWH

<b>44S</b>	<b>MW</b>	<b>48L</b>	<b>U</b>	<b>R24W2400L</b>	<b>DMV</b>	<b>40K</b>	<b>WH</b>
<b>Series</b>		<b>Length</b>		<b>Wattage &amp; Lumen</b>		<b>Color Temperature</b>	<b>Finish</b>
44W Wall Mount		48L 48" 48L 48"		R24W2400L 24 System Watts, 2400 Delivered Lumens		30K 3500K 40K 5000K	WH White BK Black SI Silver
44WW Wall Mount Wall Wash			<b>Direct/Indirect</b>	R48W4800L 48 System Watts, 4800 Delivered Lumens	<b>Driver</b>		
44P Pendant Mount			U Up Light Only Blank Down Light Only		DMV 0-10V Dimming *Field installed-Dimming Wire		
44PW Pendant Mount					DMVFID 0-10V Dimming *Factory installed-Dimming Wire		
<b>Lens Material</b>					<b>Options</b>		
SP1 Specular Parabolic Louver					HC301WH Cable kit with 4' Cable & 3 Wires Power Feed/Cable Incl. and White Canopy		
PLA White Cubed Acrylic Louver					HC302WH Cable kit with 12' Cable & 3 Wires Power feed/Cable Incl. and White Canopy		
BL Bladed Louver Semi Specular					HC3015WWH Cable kit with 4' Cable & 5 Wires Power Feed/Cable Incl. and White Canopy		
A Prismatic Acrylic #12 pattern					HC3025WWH Cable kit with 12' Cable & 5 Wires Power feed/Cable Incl. and White Canopy		
MW Matte White Lens					2SCS24WH Two Stem kits with 24" Stem, Canopy and Mounting hardware for a 4' fixture		
SF Snap In Frosted Acrylic Lens (85% transmission) *Special for LEDs					EM 10W Battery Backup for 90mins		
					HC3014WH Cable kit with 4' Cable & 4 Wires Power Feed/Cable Incl. and White Canopy ( for EM unit only)		
					HC3016WWH Cable kit with 4' Cable & 6 Wires Power feed/Cable Incl. and White Canopy ( for EM unit only)		

**Plug in system Options** - it's for continuous run application by simply plugging in sections together

Part Number	Descriptions
PI1	3 Wires Harness, Including White, Black and Green
PI2	4 Wires Harness, Including White, Black, Green and Blue for Emergency Battery Backup
PI3D	5 Wires Harness, Including White, Black, Green, Violet and Gray

\* Add the accessories part numbers at the end to be factory installed

**Notes** \*Custom length available. Consult factory for additional information.

# 44 Series 8ft

Wall Mount/ Surface Mount Linear Fixture

## FEATURES & SPECIFICATIONS

### Occupancy Sensor

- Self-Contained Relay,
- No Power Pack Needed
- No Minimum Load Requirements
- Interchangeable Hot & Load Wires,
- Impossible to Wire Backwards
- Push-Button Programmable
- Adjustable Time Delays
- No Field Calibration or Sensitivity Adjustments Required
- Convenient Test Mode
- 100 hr Lamp Burn-in Timer
- Green LED Indicator

### Physical Specs

- SIZE 2.25" H x 1.38" W x 0.82" D (5.715 cm x 3.51 cm x 2.08 cm)
- WEIGHT 4 oz
- MOUNTING Snaps into 2 3/16" H x 1 5/16" W x 1" D cavity in fixture
- COLOR White



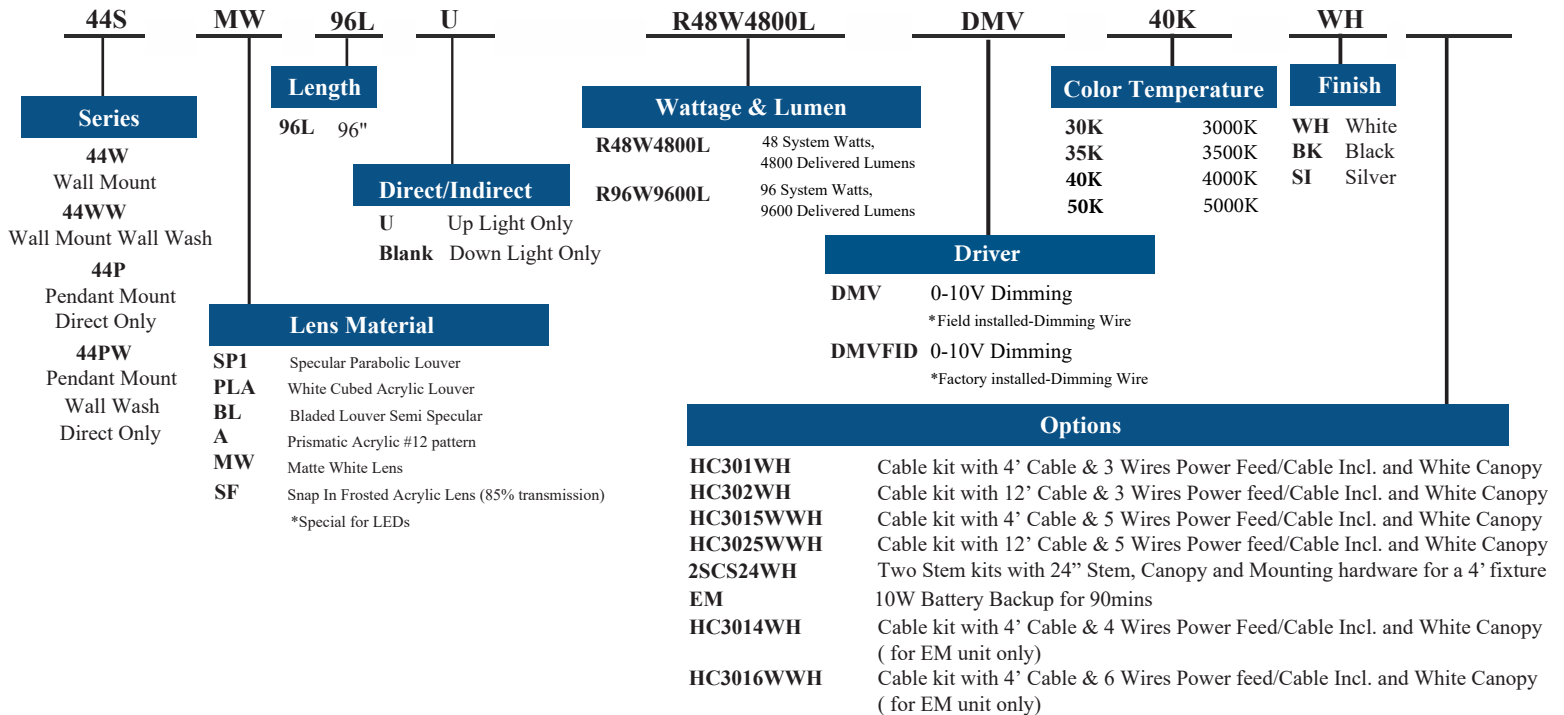
## ORDERING INFORMATION

Add "SS" in front of **44** for Occupancy Sensor



## ORDERING INFORMATION STANDARD

Example: 44SMW96LR48W4800LDMV40KWH



**Plug in system Options** - it's for continuous run application by simply plugging in sections together

Part Number	Descriptions
PI1	3 Wires Harness, Including White, Black and Green
PI2	4 Wires Harness, Including White, Black, Green and Blue for Emergency Battery Backup
PI3D	5 Wires Harness, Including White, Black, Green, Violet and Gray

\* Add the accessories part numbers at the end to be factory installed

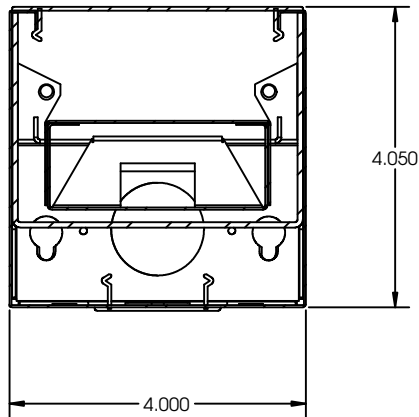
## Pendant Mount Up and Down Light Drawing



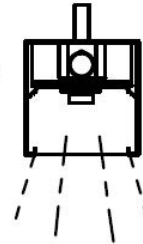
### DIMENSIONS

All dimensions are inches. Specifications subject to change without notice

**Side View**

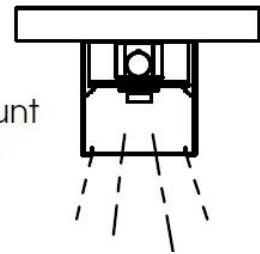


Type **P**  
Pendant Mount

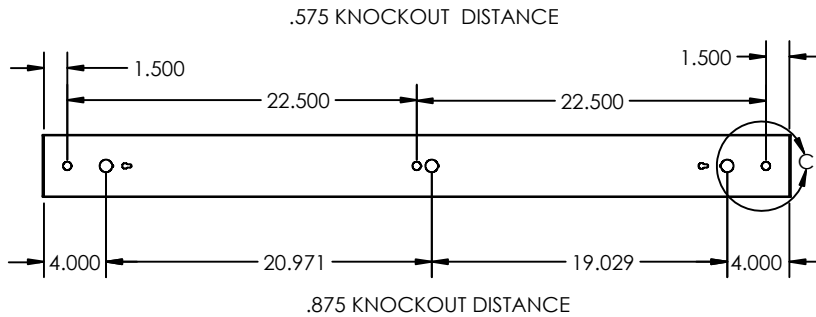


or

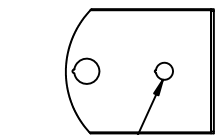
Surface Mount  
Direct only



### 4FT Dimensions

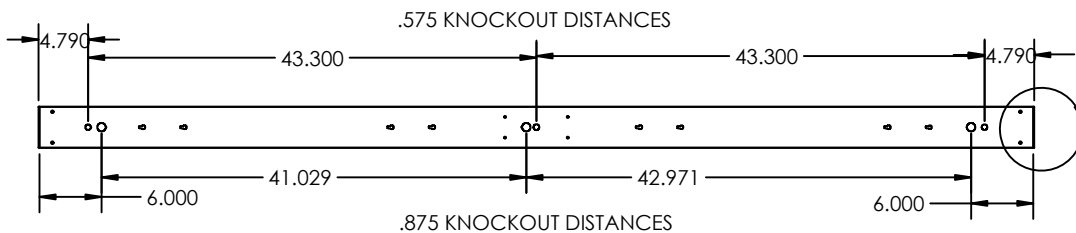


DETAIL C

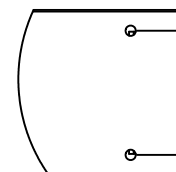


.575" KO

### 8FT Dimensions



DETAIL B



3.000

Ø.250 CABLE  
MOUNTINGHOLES



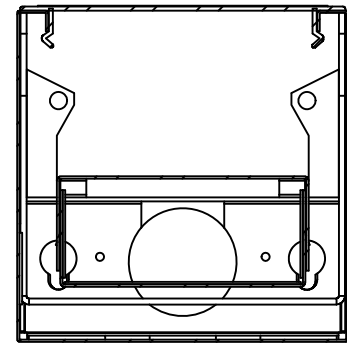
Notes \*Custom length available. Consult factory for additional information.



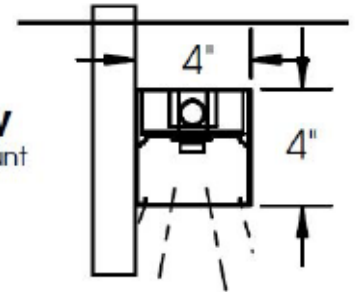
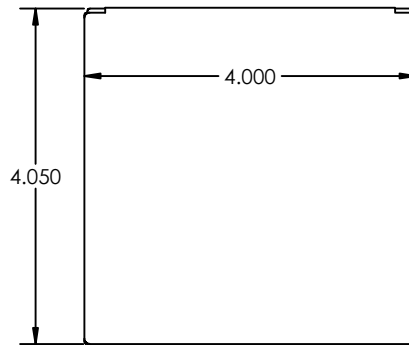
### DIMENSIONS

All dimensions are inches. Specifications subject to change without notice

### Side View

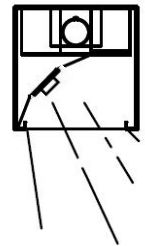


SECTION B-B

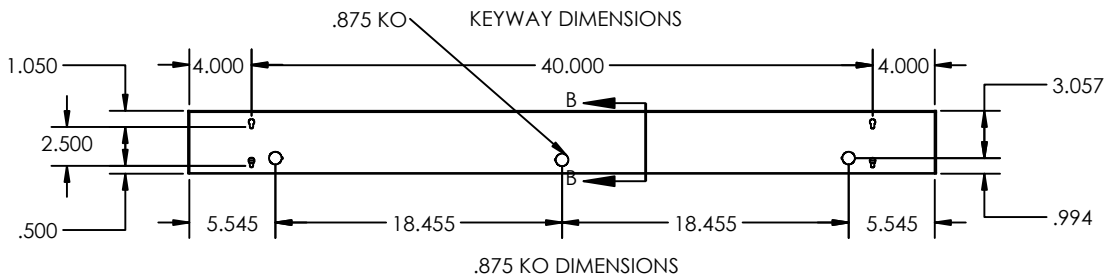


Type **W**  
wallmount

Type **WW**  
Wall Wash



### 4FT Dimensions



### 8FT Dimensions

