

50-2671-99

Lampholders

Item Description

Slimline Base, Single Pin, Standard Fluorescent Lampholder, Snap-In, Stationary, , Quickwire 18AWG Solid or Str Tinned - White



UPC Code: 816150022874

Technical Information

Electrical Specifications

Voltage: 600 Volt

Rated Wattage: 660W

Material Specifications

Body Material: Thermoplastic

Contact Material: Silver-Plated Copper-Alloy

Color: White

Availability: Distribution

Mechanical Specifications

Mounting Type: Snap-In

Panel Thickness: .035 - .050

Contact Type: Stationary

Termination: Quickwire 18AWG Solid or Str Tinned

Product Features

Lamp Base: Slimline

Lamp Contacts: Single Pin

Mounting Type: Snap-In

Panel Thickness: .035 - .050

Contact Type: Stationary

Termination: Quickwire 18AWG Solid or Str Tinned

Rated Wattage: 660W

Color: White

Standards and Certifications: UL/CSA

Warranty: 1 Year Limited

Availability: Distribution

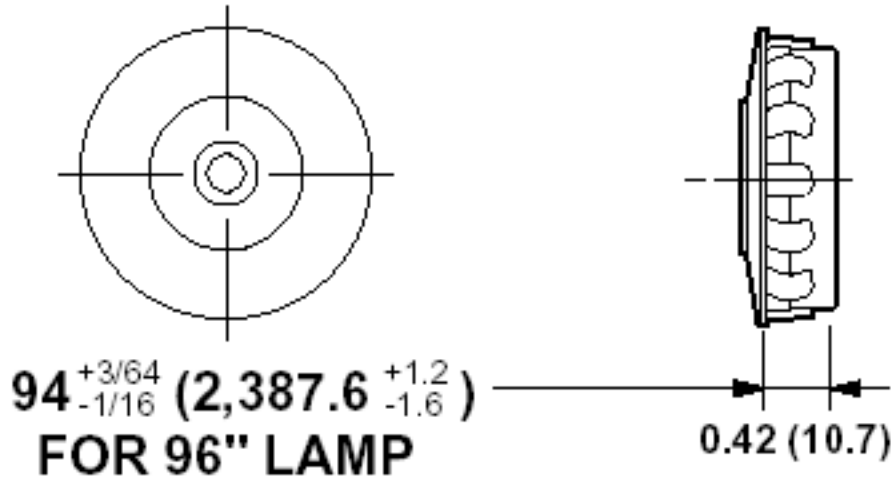
Standards and Certifications

UL Listed: File E5833

CSA Certified: File LR-5863



SLIMLINE



Cat. No. 517



**Buy American Compliant Logo -- The American Recovery And Reinvestment Act of 2009 ("ARRA") provides federal grants and loans for projects throughout the country. Section 1605 of the Act, named the "Buy American" provision, requires that certain materials and manufactured products used in projects funded by the Act be manufactured in the United States. The appearance of the Recovery Act Logo in relation to a Leviton product is only intended to reflect that such product may be used in an ARRA funded project. It does not mean that such product or Leviton is sponsored or endorsed by, or that Leviton receives funds from, the federal government or the Recovery Accountability and Transparency Board. Nothing in Leviton's use of the logo is intended to suggest anything regarding the requirements for funding under ARRA.*