



Series UGS25

Wall bracket & Surface Mount
LED w/Optional Sensor



MOUNTING

Surface mount or Pendant mount.
Horizontal or Vertical.

TYPICAL OPTIONS AND ACCESSORIES

Occupancy Sensor, Whips, fuses, and cord sets. See options page at the end of the T02Strip section, or contact factory for more details.

FEATURES & SPECIFICATIONS

INTENDED USE

Full body micro silhouette makes a bold statement with a minimal design in a quiet, low-profile, and energy-efficient finish (consult factory for other finishes). Scaled to the LED module the matte white diffuser surrounds the LEDs for soft lighting. Fixture can be surface mounted on wall or ceiling or pendant mounted with specially engineering cable mounting kit.

SIZE H x W x L in inches

- 3.25"H x 2.375"W x 48"L
/3.25\$J 'z'2.375\$Y 'z'96\$N

MATERIALS & FEATURES

- Fully assembled housing is formed and welded, 22 gauge steel, chemically treated to resist corrosion and enhance paint adhesion
- Can be mounted individually or in continuous row
- Available with smooth frosted lens
- Knock-outs on back accept standard electrical fittings (by others) Consult factory for other locations
- Dimming ballast options available (consult factory for availability and system compatibility)

ORDERING INFORMATION

Example: SES25PFR48LR26W2600LDMV40KWH

4FT

Series	Series	Width	Wattage and Lumen		Color Temperture	Finish
SS Occupancy Sensor (ON WHEN OCCUPIED, OFF WHEN NOT)	SES25P LED Linear Surface Mounted	48L 47.20"	R26W2600L 26 System Watts, 2600 Delivered Lumens	R38W3800L 38 System Watts, 3800 Delivered Lumens	30K 3000K 35K 3500K 40K 4000K 50K 5000K	WH White (standard) Option: BK Black BN Brushed Nickel
SD Daylight Harvesting Sensor	Lens FR Frosted Lens		R45W4500L 45 System Watts, 4500 Delivered Lumens		Driver DMV 0-10V Dimming *Field installed-Dimming Wire STMV* Step Dimming *Dimming Range 50%/100% Output current	
Blank Metal Plate Cover						

*Step Dim Recommended for bi-level lighting when using the SS occupancy sensor version.

Occupancy Sensor

- Self-Contained Relay,
- No Power Pack Needed
- No Minimum Load Requirements
- Interchangeable Hot & Load Wires,
- Impossible to Wire Backwards
- Push-Button Programmable
- Adjustable Time Delays
- No Field Calibration or Sensitivity
- Adjustments Required
- Convenient Test Mode
- 100 hr Lamp Burn-in Timer
- Green LED Indicator

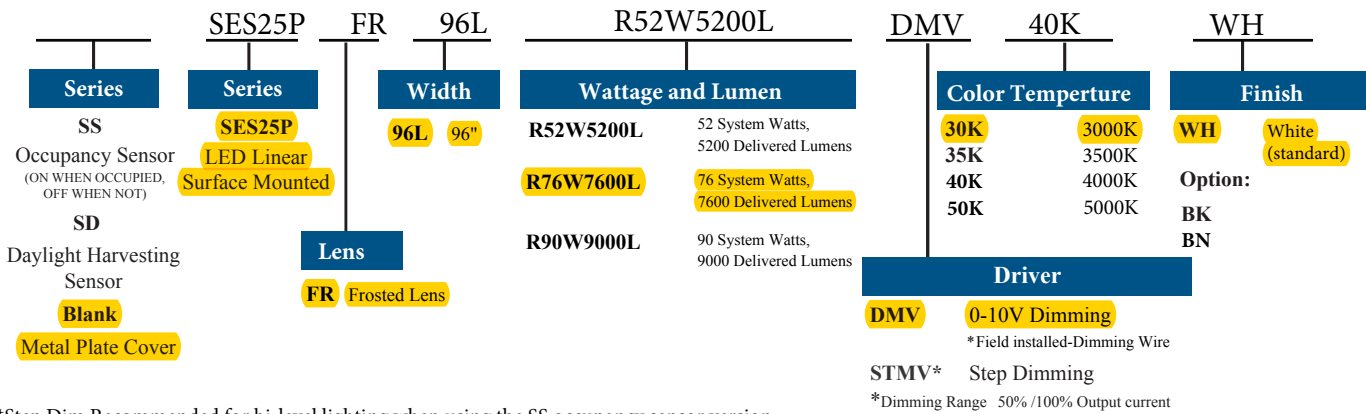
Physical Specs

- SIZE 2.25" H x 1.38" W x 0.82" D
(5.715 cm x 3.51 cm x 2.08 cm)
- WEIGHT 4 oz
- MOUNTING Snaps into 2 3/16" H x 1 5/16" W x 1" D cavity in fixture
- COLOR White



8FT

Example: SES25PFR96LR52W5200LDMV40KWH



*Step Dim Recommended for bi-level lighting when using the SS occupancy sensor version.

Accessories-Hanging Kit Options

Part Number	Descriptions
HC501WH	Cable kit with 4' Cable & 3 Wires Power Feed/Cable Incl. and White Canopy
HC502WH	Cable kit with 12' Cable & 3 Wires Power feed/Cable Incl. and White Canopy
HC5015WWH	Cable kit with 4' Cable & 5 Wires Power Feed/Cable Incl. and White Canopy
HC5025WWH	Cable kit with 12' Cable & 5 Wires Power feed/Cable Incl. and White Canopy
2SCS24WH	Two Stem kits with 24" Stem, Canopy and Mounting hardware for a 4' fixture

Plug in system Options - it's for continuous run application by simply plugging in sections together

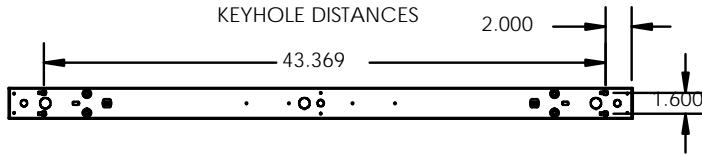
Part Number	Descriptions
PI1	3 Wires Harness, Including White, Black and Green
PI2	4 Wires Harness, Including White, Black, Green and Blue for Emergency Battery Backup
PI3D	5 Wires Harness, Including White, Black, Green, Violet and Gray

* Add the accessories part numbers at the end to be factory installed

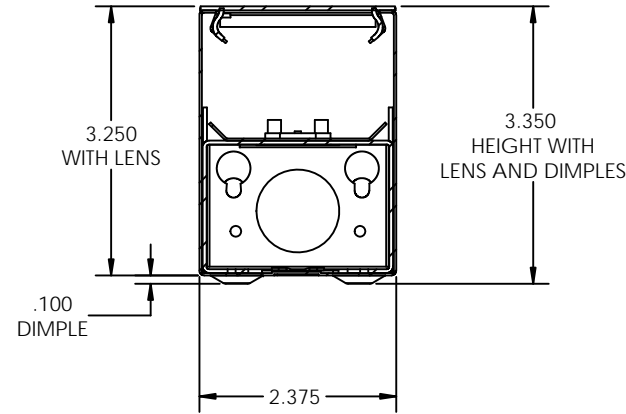
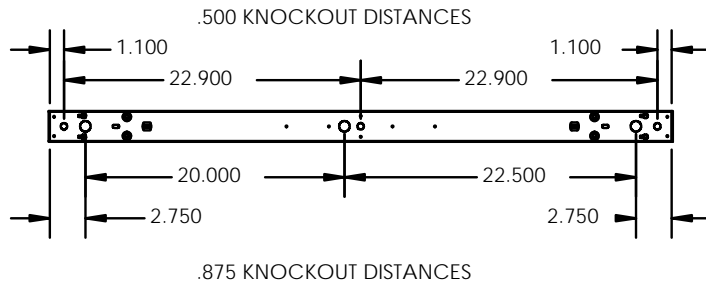
DIMENSIONS

All dimensions are inches. Specifications subject to change without notice.

4ft Fixture Dimensions

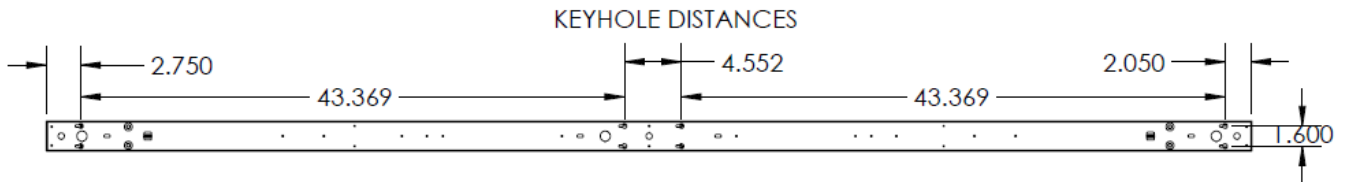


BOTTOM VIEW



END VIEW

8ft Fixture Dimensions



BOTTOM VIEW

