

### FEATURES & SPECIFICATIONS

#### INTENDED USE

Full body micro silhouette makes a bold statement with a minimal design in a quiet, clean, and modern finish (consult factory for other finishes). Scaled to the LED module the matte white diffuser surrounds the LEDs for soft lighting. Fixture can be surface mounted on wall or ceiling or pendant mounted with specially engineering cable mounting kit.

#### SIZE H x W x L in inches

- 3.25"H x 2.375"W x 48"L  
/3.25\$J 'z'2.375\$Y 'z'96\$N

#### MATERIALS & FEATURES

- Fully assembled housing is formed and welded, 22 gauge steel, chemically treated to resist corrosion and enhance paint adhesion
- Can be mounted individually or in continuous row
- Available with smooth frosted lens
- Knock-outs on back accept standard electrical fittings (by others) Consult factory for other locations
- Dimming ballast options available (consult factory for availability and system compatibility)



#### MOUNTING

Surface mount or Pendant mount.  
Horizontal or Vertical.

#### TYPICAL OPTIONS AND ACCESSORIES

Occupancy Sensor, Whips, fuses, and cord sets. See options page at the end of the T02Strip section, or contact factory for more details.

### ORDERING INFORMATION

## 4FT

Example: SES25PFR48LR26W2600LDMV40KWH

Series	Series	Width	Wattage and Lumen	Color Temperature	Finish
SS Occupancy Sensor (ON WHEN OCCUPIED, OFF WHEN NOT)	SES25P LED Linear Surface Mounted	48L 47.20'	R26W2600L 26 System Watts, 2600 Delivered Lumens	30K 3000K 35K 3500K 40K 4000K 50K 5000K	WH White (standard)  Option: BK Black BN Brushed Nickel
SD Daylight Harvesting Sensor	FR Frosted Lens		R38W3800L 38 System Watts, 3800 Delivered Lumens		
Blank Metal Plate Cover			R45W4500L 45 System Watts, 4500 Delivered Lumens		
				Driver DMV 0-10V Dimming *Field installed-Dimming Wire	
				STMV* Step Dimming *Dimming Range 50%/100% Output current	

\*Step Dim Recommended for bi-level lighting when using the SS occupancy sensor version.

### Occupancy Sensor

- Self-Contained Relay,
- No Power Pack Needed
- No Minimum Load Requirements
- Interchangeable Hot & Load Wires,
- Impossible to Wire Backwards
- Push-Button Programmable
- Adjustable Time Delays
- No Field Calibration or Sensitivity
- Adjustments Required
- Convenient Test Mode
- 100 hr Lamp Burn-in Timer
- Green LED Indicator

### Physical Specs

- SIZE 2.25" H x 1.38" W x 0.82" D  
(5.715 cm x 3.51 cm x 2.08 cm)
- WEIGHT 4 oz
- MOUNTING Snaps into 2 3/16" H x 1 5/16" W x 1" D cavity in fixture
- COLOR White



## 8FT

Example: SES25PFR96LR52W5200LDMV40KWH

Series	Series	Width	Wattage and Lumen		Color Temperature		Finish	
SS Occupancy Sensor (ON WHEN OCCUPIED, OFF WHEN NOT)	SES25P LED Linear Surface Mounted	96L 96"	R52W5200L	52 System Watts, 5200 Delivered Lumens	30K	3000K	WH	White (standard)
SD Daylight Harvesting Sensor			R76W7600L	76 System Watts, 7600 Delivered Lumens	35K	3500K	<b>Option:</b>	
Blank Metal Plate Cover			R90W9000L	90 System Watts, 9000 Delivered Lumens	40K	4000K	BK	
					50K	5000K	BN	
					<b>Driver</b>			
					DMV	0-10V Dimming *Field installed-Dimming Wire		
					STMV*	Step Dimming		
						*Dimming Range 50%/100% Output current		

\*Step Dim Recommended for bi-level lighting when using the SS occupancy sensor version.

## Accessories-Hanging Kit Options

Part Number	Descriptions
HC501WH	Cable kit with 4' Cable & 3 Wires Power Feed/Cable Incl. and White Canopy
HC502WH	Cable kit with 12' Cable & 3 Wires Power feed/Cable Incl. and White Canopy
HC5015WWH	Cable kit with 4' Cable & 5 Wires Power Feed/Cable Incl. and White Canopy
HC5025WWH	Cable kit with 12' Cable & 5 Wires Power feed/Cable Incl. and White Canopy
2SCS24WH	Two Stem kits with 24" Stem, Canopy and Mounting hardware for a 4' fixture

## Plug in system Options - it's for continuous run application by simply plugging in sections together

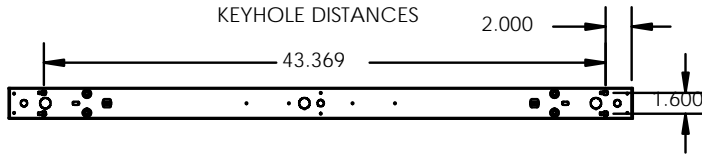
Part Number	Descriptions
PI1	3 Wires Harness, Including White, Black and Green
PI2	4 Wires Harness, Including White, Black, Green and Blue for Emergency Battery Backup
PI3D	5 Wires Harness, Including White, Black, Green, Violet and Gray

\* Add the accessories part numbers at the end to be factory installed

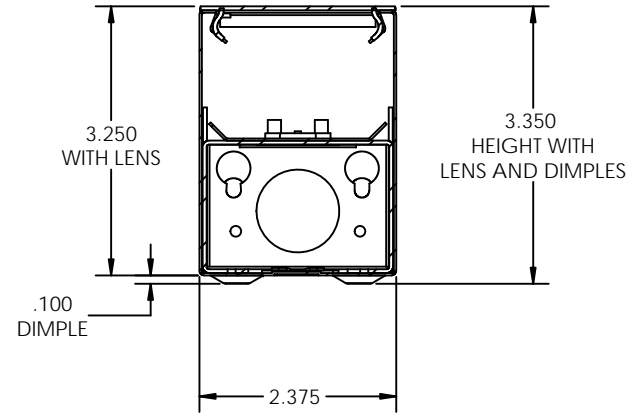
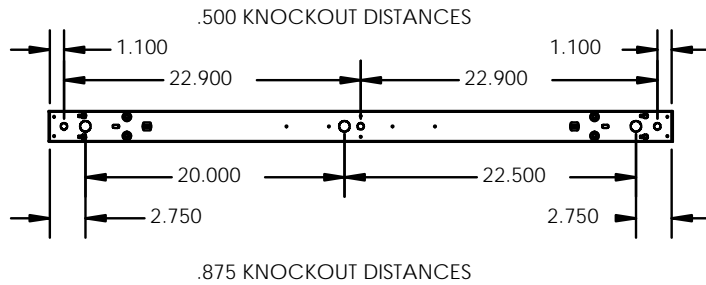
### DIMENSIONS

All dimensions are inches. Specifications subject to change without notice.

#### 4ft Fixture Dimensions

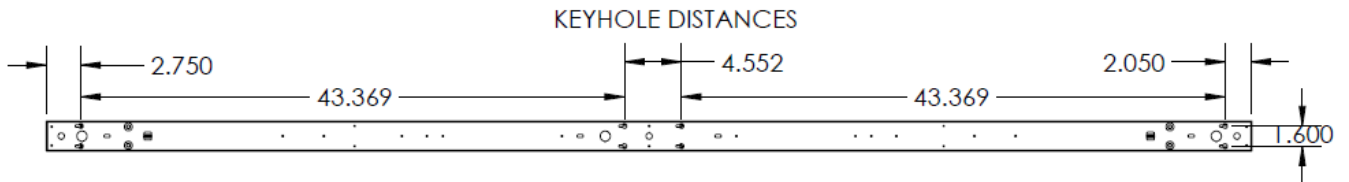


#### BOTTOM VIEW



#### END VIEW

#### 8ft Fixture Dimensions



#### BOTTOM VIEW

