

Series SKD

2"W Low Profile LED Surface Mount



FEATURES & SPECIFICATIONS

INTENDED USE

Full body micro silhouette makes a bold statement with a minimal design in brushed nickel powder coated finish (consult factory for other finishes). Scaled to the LED module the matte white diffuser surrounds the LEDs for soft lighting. Brushed nickel fixture can be surface mounted on wall or ceiling or pendant mounted with specially engineering cable mounting kit.

SIZE L x W x D in inches

- 22.5" or 46" or 92"L x 2"W x 2.6"D
- 22.5" or 46" or 92"L x 3"W x 3"D



MATERIALS & FEATURES

- Fully assembled housing is formed and welded, 22 gauge steel, chemically treated to resist corrosion and enhance paint adhesion
- Available in brushed nickel. Consult for other finishes
- Available with smooth frosted lens
- Clean body - No knock-outs on sides or ends
- Knock-outs on back accept standard electrical fittings (by others) Consult factory for other locations
- Dimming ballast options available (consult factory for availability and system compatibility)

MOUNTING

Surface mount or Pendant mount.
Horizontal or Vertical.

TYPICAL OPTIONS AND ACCESSORIES

Whips, hanging kits, and cord sets. See options page at the end of the T02Strip section, or contact factory for more details.

ACCESSORIES

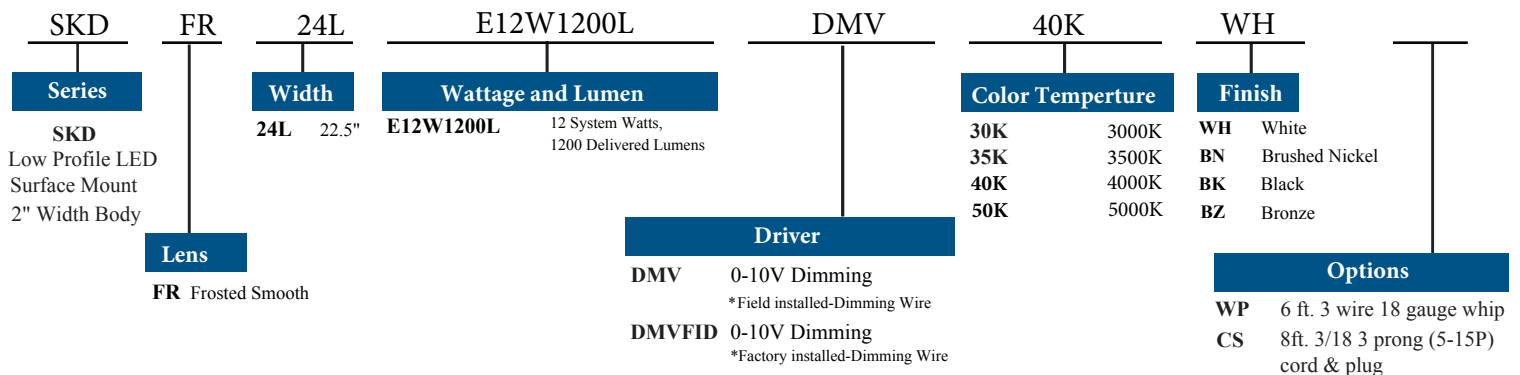
- SKD-HC301WH - 5' cable kit w/white canopy*
- SKD-HC301BN - 5' cable kit w/brushed nickel*
- SKD-HC501BN - 4' Cable Mounting Kit*

*Includes canopy for cable only and a canopy for cable & power chord.

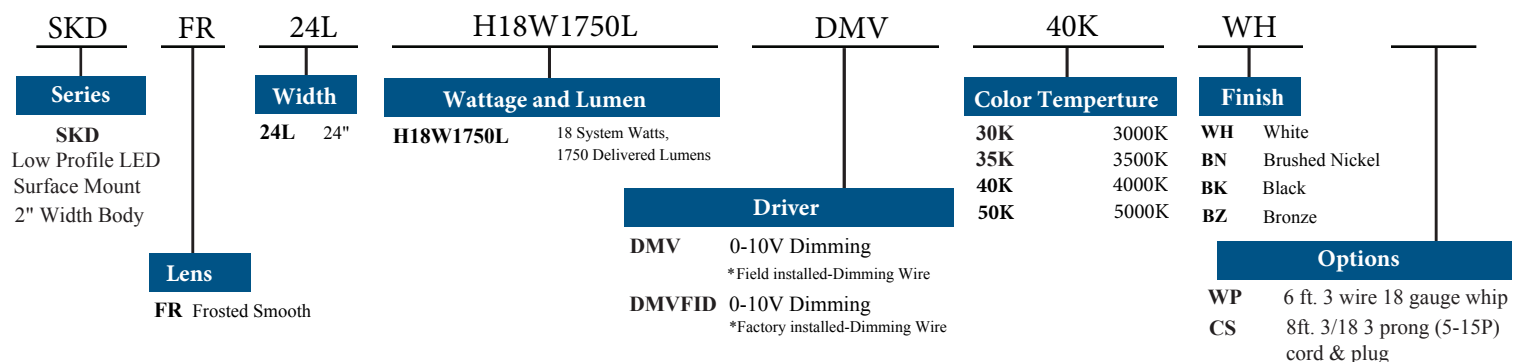
ORDERING INFORMATION

Example: SKDFR24LE12W1200LDMV40KWH

2FT - STANDARD



2FT - HIGH OUTPUT



SKD-HC301WH - 5' cable kit w/white canopy*
SKD-HC301BN - 5' cable kit w/brushed nickel*
SKD-HC501BN - 4' Cable Mounting Kit*

*Includes canopy for cable only and a canopy for cable & power chord.



Series SKD

3"W Low Profile LED Surface Mount



Example: SKDWBMW48LE48W4800LDMV40KBN

4FT - STANDARD

SKDWB	MW	48L	E48W4800L	DMV	40K	BN
Series SKDWB Low Profile LED Surface Mount 3" Width Body	Lens MW White Lens FR Frosted Lens	Size 48L 46"	Wattage and Lumen E32W3450L 32 System Watts, 3450 Delivered Lumens E48W4800L 48 System Watts, 4800 Delivered Lumens E57W5400L 57 System Watts, 5400 Delivered Lumens	Driver DMV 0-10V Dimming *Field installed-Dimming Wire DMVFID 0-10V Dimming *Factory installed-Dimming Wire	Color Temperature 30K 3000K 35K 3500K 40K 4000K 50K 5000K	Finish WH White BN Brushed Nickel BK Black BZ Bronze
			Options WP 6 ft. 3 wire 18 gauge whip CS 8ft. 3/18 3 prong (5-15P) cord & plug			

4FT - HIGH OUTPUT

SKDWB	MW	48L	R72W7000L	DMV	40K	BN
Series SKDWB Low Profile LED Surface Mount 3" Width Body	Lens MW White Lens FR Frosted Lens	Size 48L 46"	Wattage and Lumen R72W7000L 72 System Watts, 7000 Delivered Lumens	Driver DMV 0-10V Dimming *Field installed-Dimming Wire DMVFID 0-10V Dimming *Factory installed-Dimming Wire	Color Temperature 30K 3000K 35K 3500K 40K 4000K 50K 5000K	Finish WH White BN Brushed Nickel BK Black BZ Bronze
			Options WP 6 ft. 3 wire 18 gauge whip CS 8ft. 3/18 3 prong (5-15P) cord & plug			

8FT - STANDARD

SKDWB	MW	96L	E114W10800L	DMV	40K	BN
Series SKDWB Low Profile LED Surface Mount 3" Width Body	Lens MW White Lens FR Frosted Lens	Size 96L 92"	Wattage and Lumen H80W8000L 80 System Watts, 8000 Delivered Lumens E114W10800L 114 System Watts, 10800 Delivered Lumens	Driver DMV 0-10V Dimming *Field installed-Dimming Wire DMVFID 0-10V Dimming *Factory installed-Dimming Wire	Color Temperature 30K 3000K 35K 3500K 40K 4000K 50K 5000K	Finish WH White BN Brushed Nickel BK Black BZ Bronze
			Options WP 6 ft. 3 wire 18 gauge whip CS 8ft. 3/18 3 prong (5-15P) cord & plug			

8FT - HIGH OUTPUT

SKDWB	MW	96L	R144W14000L	DMV	40K	BN
Series SKDWB Low Profile LED Surface Mount 3" Width Body	Lens MW White Lens FR Frosted Lens	Size 96L 92"	Wattage and Lumen R144W14000L 144 System Watts, 14000 Delivered Lumens	Driver DMV 0-10V Dimming *Field installed-Dimming Wire DMVFID 0-10V Dimming *Factory installed-Dimming Wire	Color Temperature 30K 3000K 35K 3500K 40K 4000K 50K 5000K	Finish WH White BN Brushed Nickel BK Black BZ Bronze
			Options WP 6 ft. 3 wire 18 gauge whip CS 8ft. 3/18 3 prong (5-15P) cord & plug			



Series SKD

Low Profile LED Surface Mount



DIMENSIONS

All dimensions are inches.

Specifications subject to change without notice.

