



8RB Series

96 in. LED Retrofit Kit



FEATURES & SPECIFICATIONS

INTENDED USE

Ballast retrofit kit, 96 in. long, converts an existing strip to carry standard lamps. Material is die-formed 22 gage steel, with high reflectance baked white enamel finish.



ORDERING INFORMATION

STANDARD

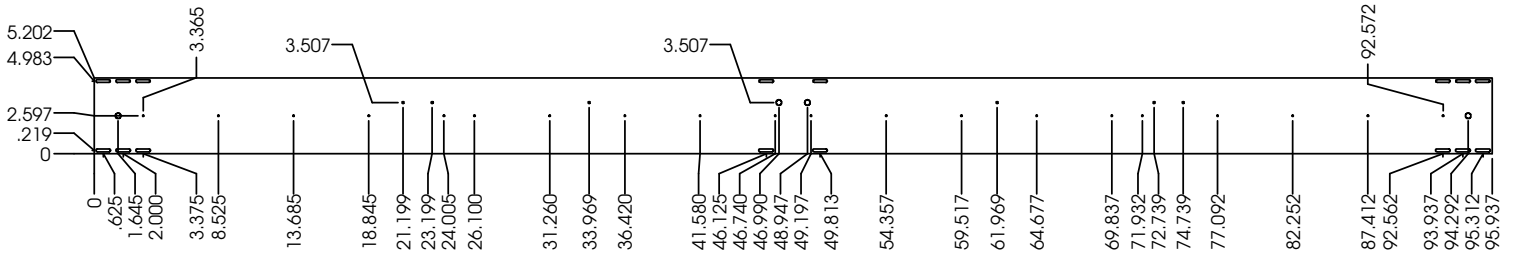
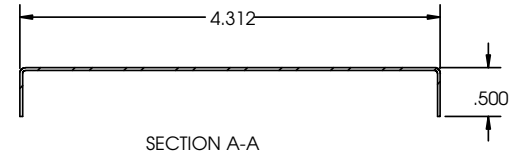
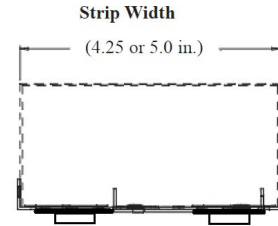
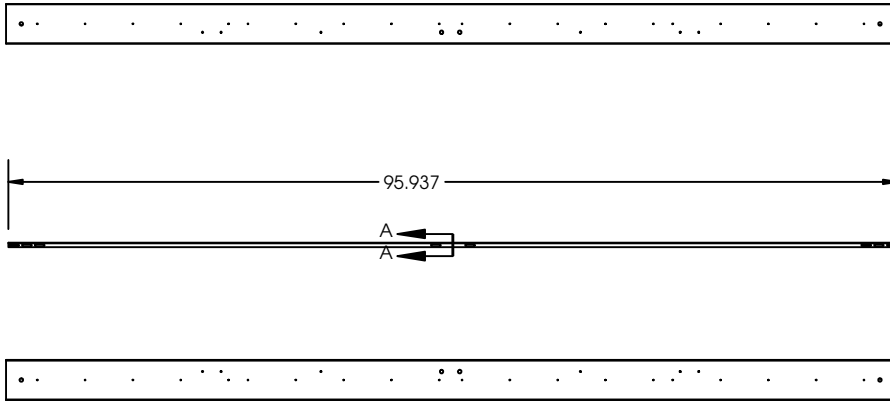
Example: **8RB421F48W4800LDMV40K**

8RB		421		F97W13000L		DMV		40K	
Series		Width		Wattage and Lumen		Driver		Kelvin Temperature	
8RB	96 in.	421	4.25 in.	F32W3450L	32 System Watts, 3450 Delivered Lumens	DMV	0-10V Dimming *Field installed-Dimming Wire	30K	3000K
		501	5.00 in.	F48W5650L	48 System Watts, 5650 Delivered Lumens	DMVFID	0-10V Dimming *Factory installed-Dimming Wire	35K	3500K
				F97W11300L	97 System Watts, 11300 Delivered Lumens			40K	4000K
				F114W12800L	114 System Watts, 12800 Delivered Lumens			50K	5000K
				F118W15500L	118 System Watts, 15500 Delivered Lumens				

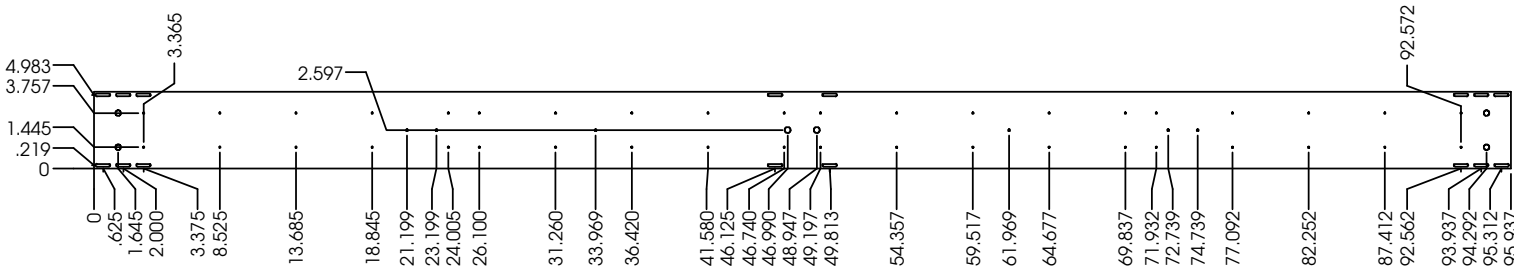
* Consult for more options

DIMENSIONS

All dimensions are inches. Specifications subject to change without notice.



1 Row LED boards



2 Rows LED boards