

LED Rope Light Kit



Installation instructions

WARNING: These products may represent a possible shock or fire hazard if improperly installed or attached in any way. Products should be installed in accordance with these instructions, current electrical codes and/or the current National Electric Code (NEC). Only use this fixture with the plug-in power cord that is supplied with the fixture. Any other power cord or feed may damage the fixture.

READ ALL INSTRUCTIONS

CAUTION - To reduce risk of fire, electric shock or injury to persons:

1. Do not cover this product with any materials that impede necessary heat dissipation.
2. Do not operate rope light while it is tightly coiled.
3. Do not puncture, cut, shorten or splice!
4. Do not route the cord or flexible lighting through walls, doors, windows or any like part of the building structure. Do not install into any channel or molding other than approved mounting devices.
5. Do not use if there is any damage to the light or cord insulation. Inspect periodically.
6. Do not submerge flexible light in liquids, or use the product in the vicinity of standing water or other liquids.
7. Secure this flexible light using only the clips or UL Listed mounting clips provided. Do not secure this product or its cord with staples, nails, or like means that may damage the insulation.
8. Do not subject flexible lighting to continuous flexing.
9. All units must be unplugged before adding additional segment(s). Only add sections by interconnecting mating connections that are factory installed on each end.
10. When adding additional rope light extension segments, use only LR-LED series type.
11. Ensure that all connections, including the end cap on the last segment, are tightly secured to preclude the entry of water.
12. Do not install on gates or doors, where subject to flexing.
13. Do not install inside closed-door cabinets or sealed enclosures where heat cannot dissipate when Rope Light is on. Do not install above or inside fish tanks.
14. Do not mount or secure rope light in a manner that can cut the outer jacket or damage cord insulation. Inspect the rope light carefully before use and discard any rope light that has a broken outer jacket, loose connection or frayed wire insulation.
15. Risk of fire. Do not replace attachment plug. Discard product if attachment plug is damaged.
16. This product has a polarized plug (one blade is wider than the other) as a safety feature to reduce the risk of electric shock. This plug will fit in a polarized outlet only one way. If the plug does not fit fully in the outlet, reverse the plug; if it still does not fit, contact a qualified electrician. Never use with an extension cord unless plug can be fully inserted. Do not alter plug.

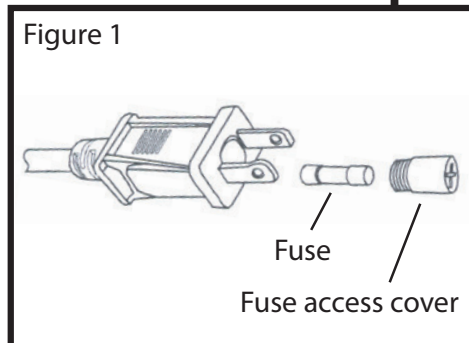
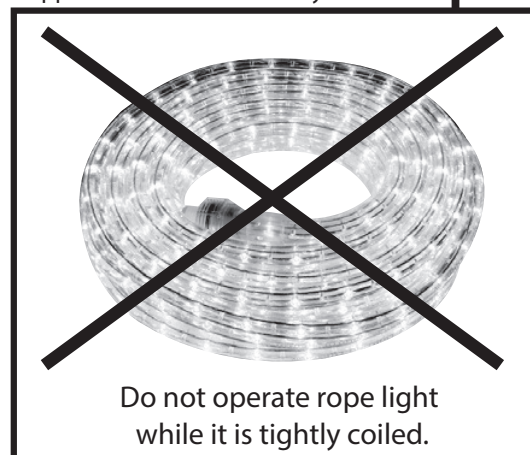
WARNING - When using outdoor portable lighting products, basic safety precautions should always be followed to reduce the risk of fire, electric shock and personal injury, including the following:

1. Use Ground Fault Circuit Interrupter (GFCI) protection on the circuits or outlet when using the product outdoors.
2. Use only UL approved outdoor extension cords, such as type SW, SOW, STW, STOW, SJW, SJOW, SJTW or SJTC. This designation is marked on the wire of the extension cord.

This plug contains an electrical fuse as a safety feature.

To replace the fuse (see Figure 1):

1. Disconnect power before replacing the fuse.
2. Grasp plug and remove from the receptacle or other outlet device.
3. Do not unplug by pulling on the cord.
4. Unscrew the fuse access cover on top of the attachment plug.
5. Remove old fuse carefully.
6. Never attempt to replace the fuse with a higher wattage fuse. Use only 5 Amp 125 Volt fuse. Failure to do so may be a fire hazard.
7. Set new fuse in holder.
8. Reinstall the fuse access cover.



LED Rope Light Kit

Installation instructions



HOW TO EXTEND ROPELIGHT

NOTE: Do not exceed 192' maximum run distance when interconnecting multiple LR-LED kits together.

1. Turn the plastic end cap counter-clockwise to remove from the first rope light.
2. Remove power cord from the second piece of rope light.
3. Connect both ends of the ropes (the male and female halves plug into each other). Make sure all connectors are firmly tightened and secured. See Figure 2.
4. Repeat steps 1, 2 and 3 for any additional kits.
5. Turn the plastic end cap clockwise until it is firmly tightened and secured on the last rope light.

HOW TO INSTALL ROPE LIGHT

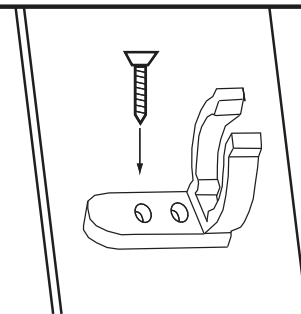
1. Attach mounting clips with nails or screws onto wooden surfaces. Be sure that the mounting surface is mechanically sound. See Figure 3.
2. Mounting clips should be evenly spaced and be a maximum of 12" apart.
3. Make sure that the distance between two separate/nearby lines of LED Rope Light are at least 1/2" apart.
4. Gently press Rope Light into clips so that it snaps into place.

Figure 2



Interconnecting Sections: Connect male and female halves together and firmly tighten and secured.

Figure 3



Attaching mounting clips

PROP 65 WARNING

Handling the coated electrical wires of this product exposes you to lead, a chemical known to the State of California to cause cancer, birth defects and other reproductive harm.

Wash hands after use.