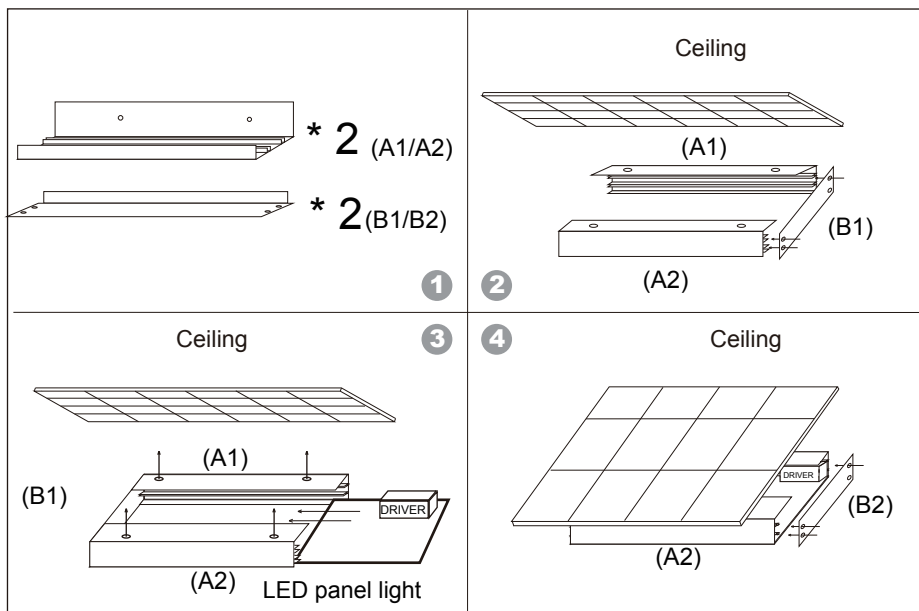


Surface Mount



1. Parts A1,A2, B1,B2;
2. First install A1, A2, and B1(as illustrated);
3. As is shown in the figure,fix A1 and A2 on the ceiling or on the roof,and then insert the panel light directly (the end with power source enters later);
4. Install B2, finish installation.

Product description

Product Introduction

The ultra slim panels illuminate over their complete surface brightly and highly homogeneous in white or warm white (according to version). They are out-standingly suited for coffered ceilings but can also be used as elegant interior design elements directly on walls or ceilings. The panel will not produce too much heat and no need to cooling. The homogeneously illuminated surface almost has no glare and has highly modern appearance. The use of efficient, long-life and high quality LEDs means that you save electricity and ready cash.

Product Features

- Long life**
Its service life is significantly longer than fluorescent lamps or other light sources.
- Ecological**
Saves electricity and low carbon.
- Saves energy**
Consumes less energy via use of efficient LEDs.
- Homogeneous**
Very uniform light distribution in the complete surface.
- Elegant**
Modern ultra thin design, healthy light, no UV component and almost no glare.

Applications

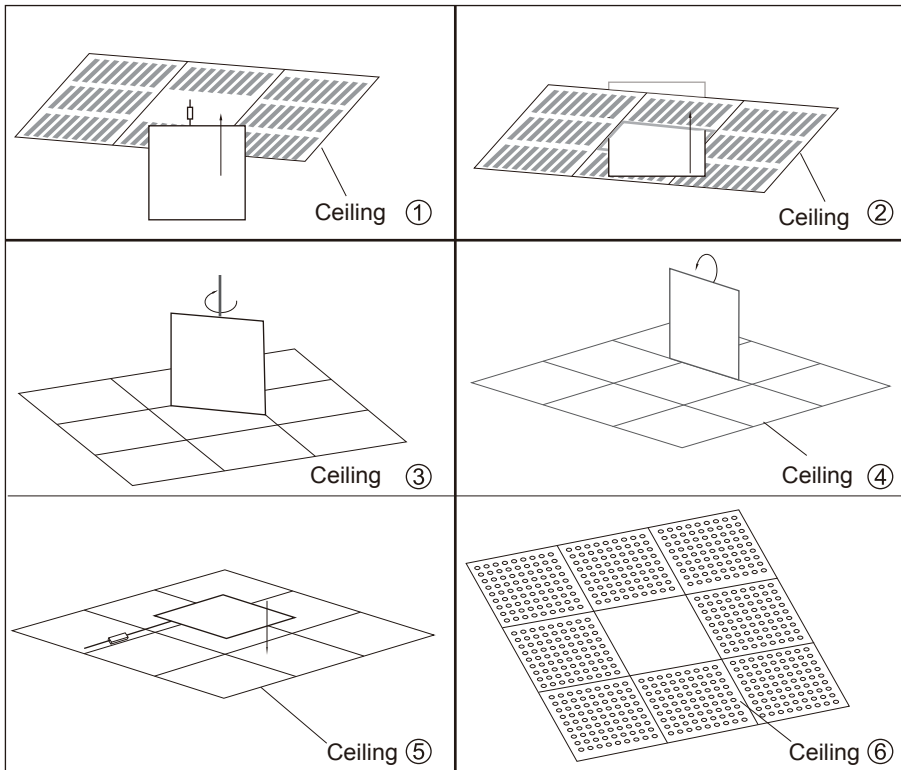
The most common places you are likely to find the panel lights include: hospitals, schools, hallways, lobbies, meeting rooms, restaurants, offices and etc.



Attention

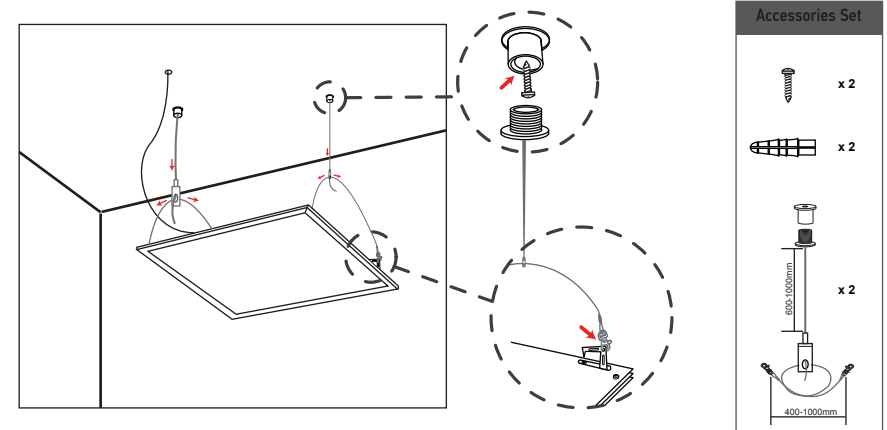
- a. Not allow to use scouring powder, abrasive powder, oil and acid alkaline type detergent.
- b. Do not spray air fresheners, disinfectant, cleaning organic solvents directly on light-emitting surface.
- c. Wire connectors can not contact with water.
- d. Do not let sharp objects to scratch the lamp,especially the light-emitting surface.

Recessed Mount



1. Ensure the panel light work well before installation, put the panel light at a diagonal position.
2. Put the driver aside and insert panel light into ceiling.
3. Rotate the panel light 45° in horizontal direction to make the front of panel face to ceiling square hole.
4. Rotate the panel light 90° in vertical direction to make it correspond to the recessed frame and front of panel face to ground.
5. Embed the panel light into ceiling, adjust it to a suitable position to make it as flat as ceiling.

Suspension Mount



1. Make sure that the ceiling can hold the weight of the LED panel and install ceiling brackets suitable to support the weight of the LED panel. Fixing cables.
2. Gather panel and connect the wires as shown in "Assembling panel"
3. Attach the suspended cables to the bends at the edges of the LED flat panel.
4. Turn on the main power. installation is finished.