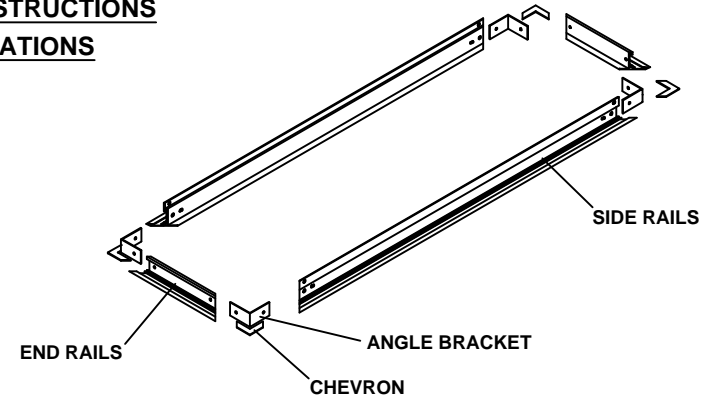
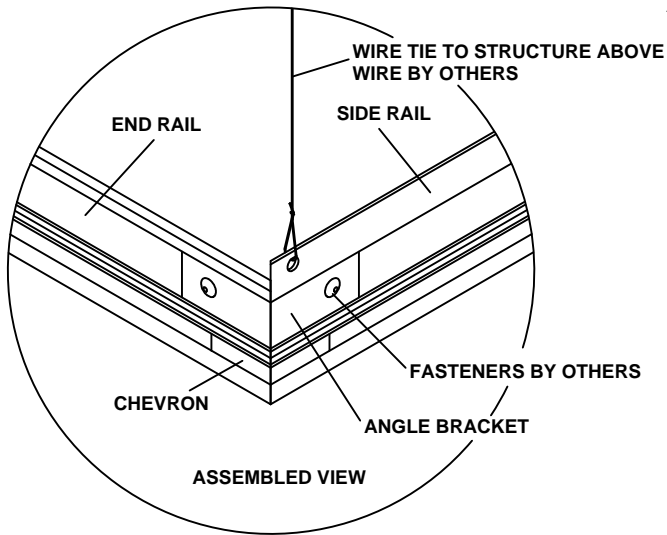
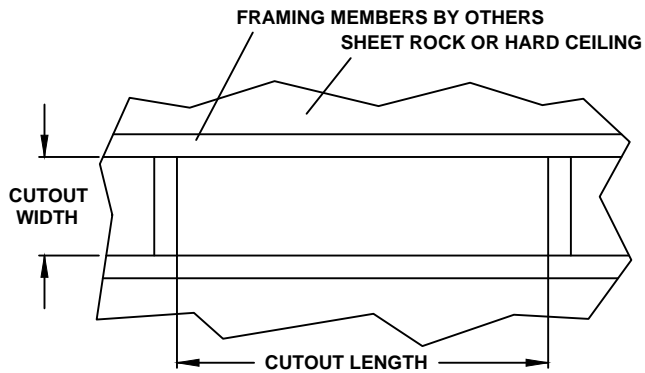


FLANGE KIT INSTALLATION INSTRUCTIONS
SINGLE FIXTURE INSTALLATIONS



SNAP CORNERS OF KIT TOGETHER AS SHOWN



FRAME OUT CEILING OPENING
SEE TABLE FOR CUTOUT SIZE

Single Fixture Flange Kits					
	Part No.	Nominal Size	Cutout Opening	Outside Flange Dim's.	Maximum Fixture Size
	FK-14	12 x 48	12 3/8" x 48 1/2"	13 3/8" x 49 1/2"	11 3/4" x 47 13/16"
	FK-22	24 x 24	24 3/8" x 24 1/2"	25 3/8" x 25 1/2"	23 3/4" x 23 13/16"
	FK-24	24 x 48	24 3/8" x 48 1/2"	25 3/8" x 49 1/2"	23 3/4" x 47 13/16"