

## 4" / 6" LED Ultra Slim Downlight Retrofit Lamp

**PLEASE REVIEW THE INSTRUCTIONS AND WARNINGS LISTED BELOW PRIOR TO PROPER INSTALLATION**

### WARNINGS

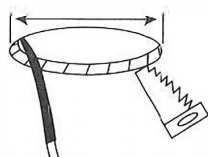
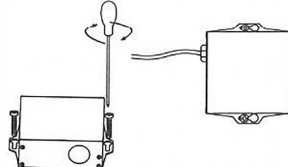
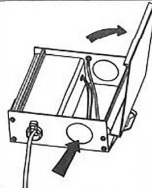
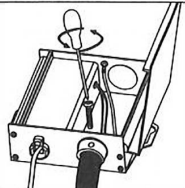
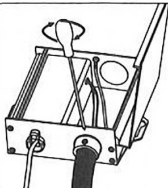
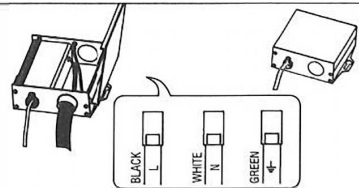
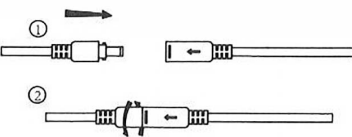
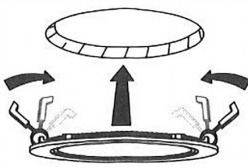
BE SURE THE POWER IS OFF! Risk of electric shock, always use the switch to power off. Do not perform any operations while this unit is powered on. The electrical system you want to connect the device to must be grounded.

Read the instructions before using or powering this device. The safety instructions must be taken into account and respected in order to avoid user error, which can cause damages. The operating instructions must remain with the unit in case of transfer. Any damage to the device linked to an inappropriate use is excluded from support by the warranty. Before connecting, make sure that the current and voltage are compatible with this device. We highly recommend that all installations are made by a QUALIFIED ELECTRICIAN. We are NOT responsible by any means for the use or misuse of the following information.

We are NOT responsible in whole or in part for any harm or damage that may or may not be caused. We reserve the right to revise the components of any product, due to part availability or change in ETL, CUL or UL standards without assuming any obligation or liability to modify any products previously manufactured and without notice. These instructions do not cover all details of variations in equipment, nor do they provide every possible contingency to be met. Turn off / unplug power when installing or servicing this device.

### LED DOWNLIGHT INSTALLATION INSTRUCTIONS

CONSULT A QUALIFIED ELECTRICIAN TO ENSURE CORRECT BRANCH CIRCUIT CONDUCTOR. MINIMUM 90° C SUPPLY CONDUCTORS. THIS PRODUCT MUST BE INSTALLED IN ACCORDANCE WITH THE APPLICABLE INSTALLATION CODE BY A PERSON FAMILIAR WITH THE CONSTRUCTION AND OPERATION OF THE PRODUCT AND THE HAZARDS ASSOCIATED.

<p><b>1</b></p> 	<p><b>2a</b></p> 	<p><b>2b</b></p> 
<p>Cut a hole (the diameter based on model size) in the ceiling and make sure there is the long enough supply wire to connect fixture 4" (DCL4s-1000e / DCL4s-1050e), 6" (DLC6s-1000e / DLC6s-1050e).</p>	<p>Screw LED driver onto the ceiling with screwdriver.</p>	<p>Open the cover of LED driver for wiring, pry off the round metal sheet.</p>
<p><b>3a</b></p> 	<p><b>3b</b></p> 	<p><b>4</b></p> 
<p>Introduce the conduit in the junction box.</p>	<p>Secure conduit with the screwdriver.</p>	<p>Connect the supply wire and input wire of the LED driver through connector. White for neutral, black for line and yellow for earthing.</p>
<p><b>5</b></p> 	<p><b>6</b></p> 	
<p>Connect output of LED driver to input of fixture through swivel connector.</p>	<p>Press the retaining spring inward and insert fixture into opening. Release retaining springs and turn power on.</p>	