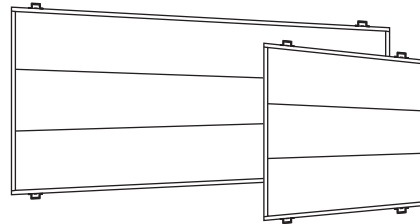




Questions?

For customer service please call us at 1-888-743-5766
Office Hours: 8:00 a.m. – 5:00 p.m. PST Monday-Friday



Ultra Slim **LED Troffer**

2 ft. x 2 ft.
2 ft. x 4 ft.

PLEASE REVIEW THE INSTRUCTIONS AND WARNINGS LISTED BELOW PRIOR TO PROPER INSTALLATION

WARNINGS	CAUTIONS
<ul style="list-style-type: none"> Risk of fire / electrical shock . LED Panel installation requires knowledge of luminaire electrical systems. Risk of electric shock – disconnect power at source before installation. Do not make or alter any open holes in an enclosure of wiring or electrical components during installation. If lamp or luminaire exhibits abnormal operation (buzzing, flickering, minimal light, etc.), turn off power, remove luminaire and contact us. <p>For more information please visit www.eurilighting.com or call our toll-free number 1-888-743-5766.</p>	<ul style="list-style-type: none"> Do not look directly at the operating LED Panel. Do not touch this product with wet hands. Do not disassemble, repair or alter lamp. Designed for indoor applications only. Suitable for damp locations. The luminaires should be grounded. This device is not intended for use with emergency exits or emergency lights. Please make sure the driver supply wiring is of adequate length and rating. Avoid any tension. Observe proper polarity when connecting power to driver. Unit must be grounded as per code. L = Input Line or Hot, W = Neutral All connections should be according to NEC or any applicable local code. Wear gloves and safety glasses every time when working with the luminaire for installing, servicing or performing maintenance.

INSTALLATION INSTRUCTIONS

LED Troffer Mounting

STEP 1:

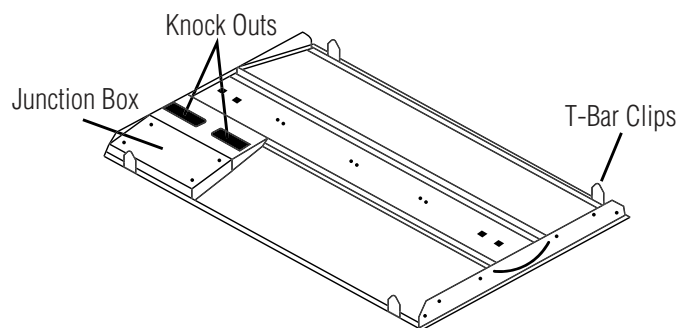
Install the four(4) supplied T-BAR clips into the mounting bracket on the outside of the housing.

STEP 2:

Put the troffer into the T-BAR Ceiling Panel and attach the clips on the housing onto the T-Bar

STEP 3:

Fix the safety cable at the back side of the house to the ceiling in case the troffer drop down



LED Troffer Wiring

1. Wire input end of the LED driver to supply wires using connector according to wiring section. Wire connections must be insulated.
2. Connect the BLACK/BROWN lead to LINE (+) supply lead.
3. Connect the WHITE/BLUE lead to NEUTRAL/Common(-) supply lead.
4. Connect the GREEN lead to GROUND supply lead.
5. If any, connect PURPLE/BLUE to 0-10V SIGNAL supply lead and GREY/WHITE to 0-10V NEUTRAL/REFERENCE supply lead.

WIRING DIAGRAM

