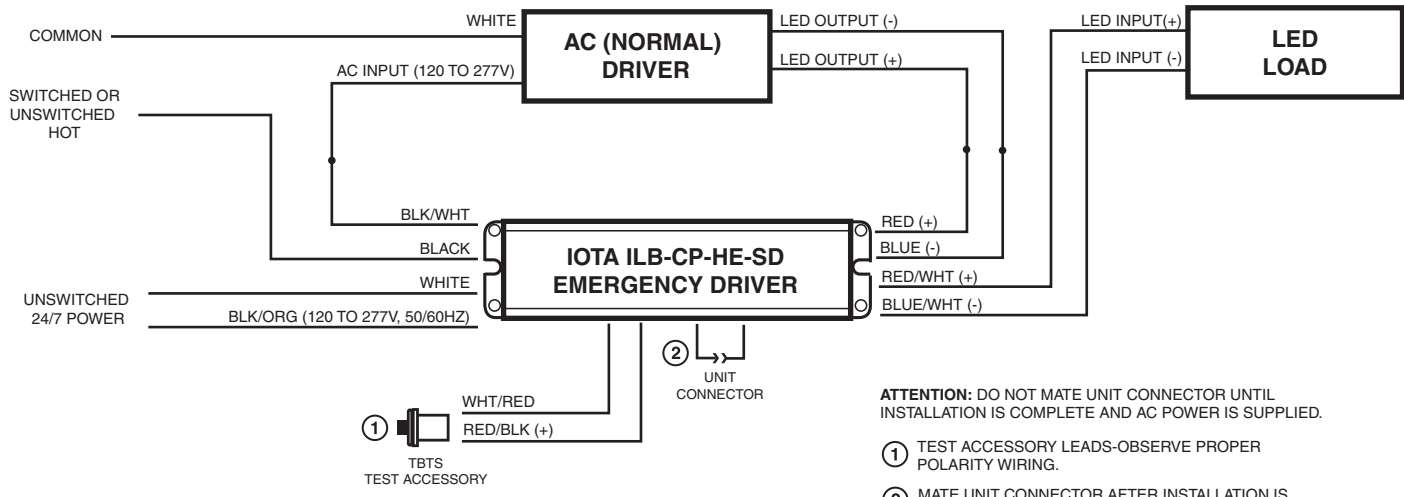


ILB-CP-HE-SD WITH TBTS TEST ACCESSORY



ATTENTION: DO NOT MATE UNIT CONNECTOR UNTIL INSTALLATION IS COMPLETE AND AC POWER IS SUPPLIED.

- TEST ACCESSORY LEADS-OBSERVE PROPER POLARITY WIRING.
- MATE UNIT CONNECTOR AFTER INSTALLATION IS COMPLETE AND AC POWER IS SUPPLIED

ILBCP_TBTS_SD.EPS

NOTES

