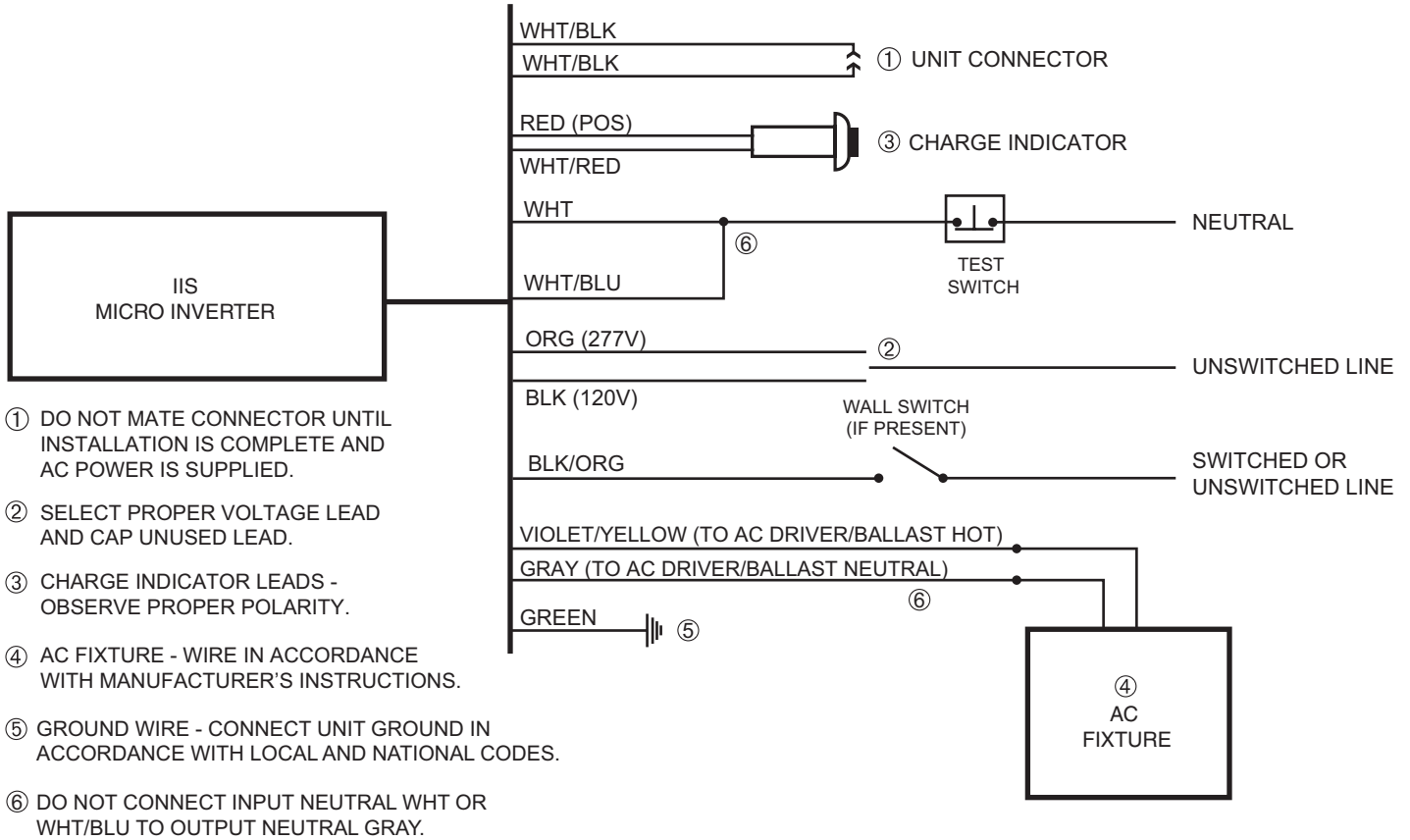


IIS MICRO-INVERTER

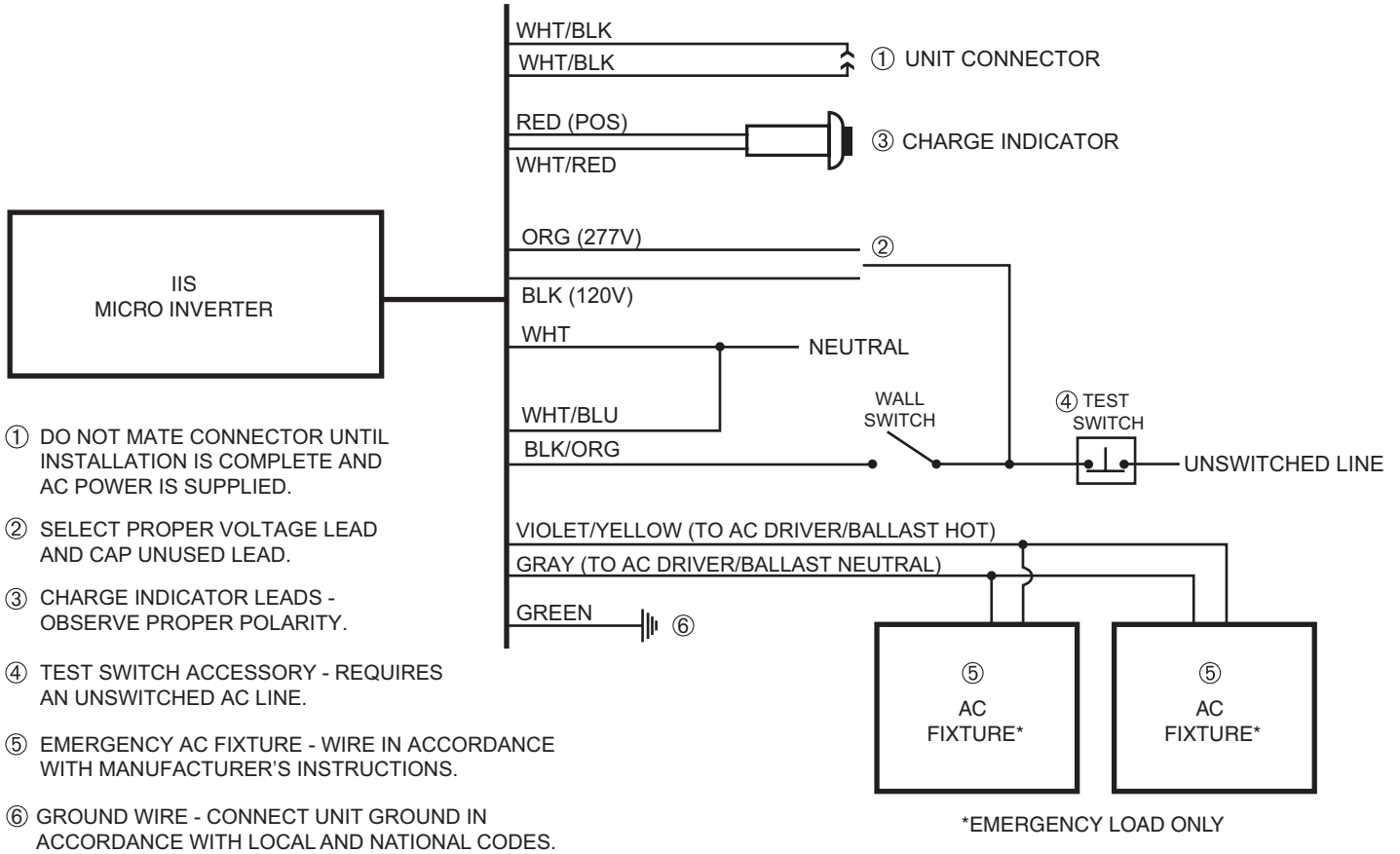


- ① DO NOT MATE CONNECTOR UNTIL INSTALLATION IS COMPLETE AND AC POWER IS SUPPLIED.
- ② SELECT PROPER VOLTAGE LEAD AND CAP UNUSED LEAD.
- ③ CHARGE INDICATOR LEADS - OBSERVE PROPER POLARITY.
- ④ AC FIXTURE - WIRE IN ACCORDANCE WITH MANUFACTURER'S INSTRUCTIONS.
- ⑤ GROUND WIRE - CONNECT UNIT GROUND IN ACCORDANCE WITH LOCAL AND NATIONAL CODES.
- ⑥ DO NOT CONNECT INPUT NEUTRAL WHT OR WHT/BLU TO OUTPUT NEUTRAL GRAY.

IIS_MICRO.EPS

NOTES

IIS MICRO-INVERTER WITH DUAL EM FIXTURES



- ① DO NOT MATE CONNECTOR UNTIL INSTALLATION IS COMPLETE AND AC POWER IS SUPPLIED.
- ② SELECT PROPER VOLTAGE LEAD AND CAP UNUSED LEAD.
- ③ CHARGE INDICATOR LEADS - OBSERVE PROPER POLARITY.
- ④ TEST SWITCH ACCESSORY - REQUIRES AN UNSWITCHED AC LINE.
- ⑤ EMERGENCY AC FIXTURE - WIRE IN ACCORDANCE WITH MANUFACTURER'S INSTRUCTIONS.
- ⑥ GROUND WIRE - CONNECT UNIT GROUND IN ACCORDANCE WITH LOCAL AND NATIONAL CODES.

IIS_MICRO_2.EPS

NOTES