

**LCD™ Series**

**LED Center Basket**

**Description**

The new Globalux LED Architectural LCD's fixture adopts the latest in optical and LED technology for use in many commercial applications. The LCD provides a very pleasant volumetric soft light that fills any interior space giving it a larger, brighter, and more productive ambiance and will be the perfect fit for any commercial or institutional application. The LCD Series is fully dimmable and are compatible with building controls, motion sensors, and daylight harvesting systems. The design of the LCD series panels produces an even and consistent shadow-less light. The LED's enable long life, high lumen maintenance, high CRI, are low maintenance, and constructed without hazardous materials. Designed to lay in drop ceilings in offices, schools, and healthcare applications.



**LCD Series**

- 2x2 Housing**  
40W 4000 Lumens  
26W 2600 Lumens
- 2x4 Housing**  
42W 4200 Lumens  
52W 5200 Lumens

- Rated Life** 60,000 hours
- Limited Warranty** 5 years
- Efficacy** Up to 100 LPW
- Continuous Dimming**



**Specification Features**

**Construction**

Rugged construction, solid die formed, cold-rolled steel housing. All surfaces powder coated after fabrication. Frosted acrylic diffuser provides even consistent light while reducing glare. Lens design and materials provide uniform appearance without pixilation.

**Certification**

All luminaires are built to UL 1598 and 2108 standards, and bear appropriate ETL labels. Wet location labeling is standard. Emergency equipped fixtures labeled UL924. Adheres to LM70, LM80, and TM21 industry standards. DesignLights Consortium® (DLC) DLC qualified product. Not all models of this product may be DLC qualified. Please check the DLC Qualified Products List at [www.designlights.org/QPL](http://www.designlights.org/QPL) to confirm which models are qualified.

**Electrical**

Equipped standard with 0-10V continuous dimming driver that works with any standard 0-10V control/dimmer. Long-Life LED's 60,000 hours at L80 with projected life over 100,000 hours for reduced life cycle maintenance costs.

**Installation**

Suitable for recessed mounting within T-Bar grid.

**Warranty**

5-year Limited Warranty. See warranty documentation for more information.

**Options**

Optional On/Off or Bi-Level motion sensor, high voltage transformers, emergency battery backups, whips and cords.

**Ordering Information**

Example: LCD-22-40-MVD-850-EML8

Series	Form Factor	Rated Wattage	Driver Type	CRI	Color Temp
<p>.....</p> <p><b>LCD</b> LED center Basket</p>	<p>22</p> <p>22- 2'x2'<sup>2</sup> 24- 2'x4'<sup>2</sup></p>	<p>40</p> <p>2..... 40-40W 4000 Lumens<sup>2</sup> 26-26W 2600 Lumens<sup>1</sup> ..... 42-42W 4200 Lumens<sup>1</sup> 52-52W 5200 Lumens<sup>2</sup></p>	<p>MVD</p> <p>MVD- 120-277V; 0-10V Dimming<sup>2</sup> HVD-347-480V,0-10 V Dimming</p>	<p>8</p> <p>80+ CRI</p>	<p>40</p> <p>35 3500 K<sup>1 2</sup> 40 4000 K<sup>2</sup> 50 5000 K<sup>1 2</sup></p>
<b>Options</b>					
		<p><b>Emergency Backup</b></p> <p>EML8 800lm EML16 1600lm</p>	<p><b>Controls</b></p> <p>MOS- Integral Microwave Sensor, On/Off MOSB- Integral Bi-Level Microwave Sensor</p>	<p><b>Accessories</b></p> <p>FW3- Fixture Whip FW4- Fixture Whip</p>	

Specifications and Dimensions subject to change without notice.

## Performance Summary

Input Voltage	120V-277V
Input Frequency	50/60 Hz
Rated Wattage	See Performance Table
Delivered Lumens	See Performance Table
Efficacy	> 100 LPW (typ.)
CRI	83+, R9 > 0
Available CCT <sup>1</sup>	3500,4000K
Color Consistency <sup>2</sup>	5-step MacAdam Ellipse
Rated Life	60,000 hours
L70 <sup>3</sup>	> 72,000 hours or > 45,000
Power Factor	>0.997
THD	< 20%
Dimming	0-10V Continuous (10-100%)
Operating Temp.	-18°C to 40°C

## Performance Data

Lens Type	Form Factor	Catalog No.	Rated Wattage (W)	Delivered Lumens	Efficacy (lm/W)
Frosted Acrylic	2'x2'	LCD-22-40-MVD-835	39.45	3915.79	99.134
		LCD-22-40-MVD-840	39.45	3915.79	99.134
	2'x4'	LCD-24-52-MVD-835	52	5200	100
		LCD-24-52-MVD-840	52	5200	100

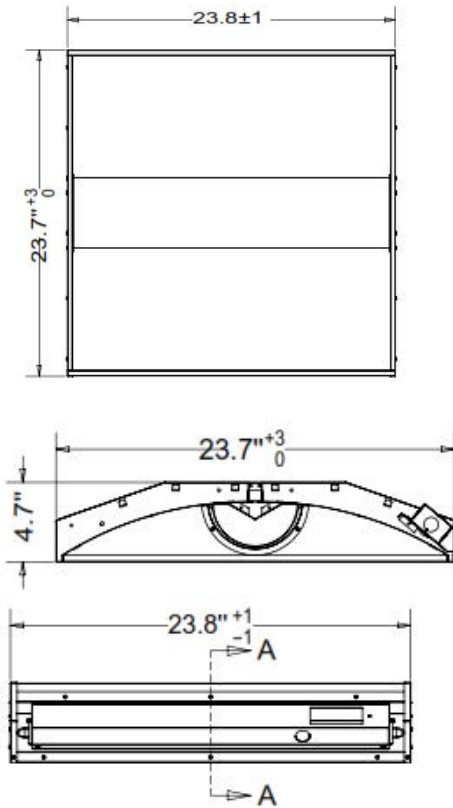
### NOTES:

- <sup>1</sup> Made to order items. Minimum 90 day lead time. Minimum 500 order quantity.
- <sup>2</sup> DLC Listed
- <sup>3</sup> DLC Premium Listed
- <sup>4</sup> Quick ship: 3500K,4000K. Other CCTs may require a lead time or be special order
- <sup>5</sup> Typical color consistency. May vary or be changed.
- <sup>6</sup> L70 hours calculated based on LED package manufacturer LM80 report and ISTMT report of LED in luminaire. Stated values are for select catalog numbers. Contact GlobalLux for detailed information.
- <sup>7</sup> Actual performance may differ as a result of end-user environment and application. All values are design or typical values, measured under laboratory conditions at 25 °C.

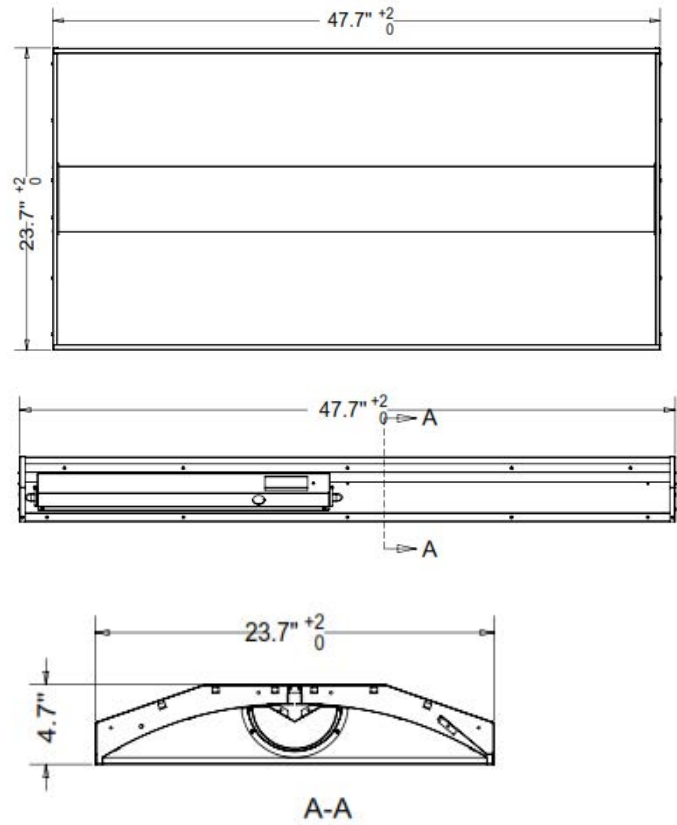
Specifications and Dimensions subject to change without notice.

Product Dimensions

LCD-22



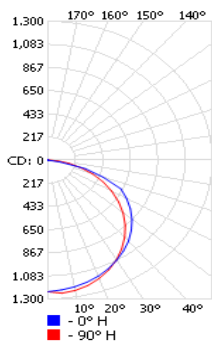
LCD-24



Photometric Data

LCD-22-40-MVD-835 Tested in accordance to IESNA LM-79

Polar Candela Curve



Zonal Lumen Summary

Zone	Lumens	% Lamp	% Luminaire
0-30	969.1	24.70%	24.80%
0-40	1,604.10	41%	41%
0-60	2,937.60	75%	75.10%
60-90	965.9	24.70%	24.70%
0-90	3,903.60	99.70%	99.80%

Coefficients of Utilization

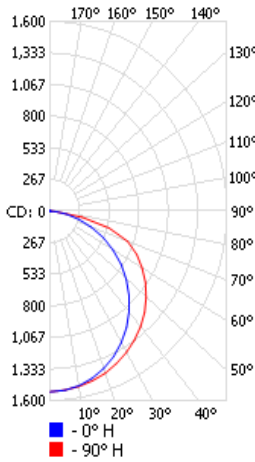
RCC %:	80				70				50	
	70	50	30	0	70	50	30	0	50	30
RCR: 0	1.19	1.19	1.19	1.19	1.16	1.16	1.16	1	1.11	1.11
1	1.08	1.03	0.98	0.94	1.05	1.01	0.96	0.83	0.96	0.93
2	0.98	0.89	0.82	0.76	0.95	0.87	0.8	0.69	0.83	0.78
3	0.89	0.77	0.69	0.62	0.86	0.76	0.68	0.58	0.73	0.66
4	0.81	0.68	0.59	0.52	0.78	0.67	0.58	0.49	0.64	0.57
5	0.74	0.61	0.51	0.45	0.72	0.6	0.51	0.42	0.57	0.5
6	0.68	0.55	0.45	0.39	0.66	0.54	0.45	0.37	0.52	0.44
7	0.63	0.49	0.4	0.34	0.61	0.48	0.4	0.33	0.47	0.39
8	0.59	0.45	0.36	0.3	0.57	0.44	0.36	0.29	0.43	0.35
9	0.55	0.41	0.33	0.27	0.53	0.41	0.32	0.26	0.39	0.32
10	0.51	0.38	0.3	0.24	0.5	0.37	0.3	0.24	0.36	0.29

Effective Floor Cavity Reflectance: 20%

## Photometric Data

LCD-24-52-MVD-835 Tested in accordance to IESNA LM-79

### Polar Candela Curve



### Zonal Lumen Summary

Zone	Lumens	% Lamp	% Luminaire
0-30	1,207.20	24%	24%
0-40	2,005.30	39.90%	39.90%
0-60	3,707.10	73.70%	73.70%
60-90	1,302.50	25.90%	25.90%
0-90	5,009.60	99.60%	99.70%

### Coefficients of Utilization

Effective Floor Cavity Reflectance: 20%

RCC %:	80				70				50	
	70	50	30	0	70	50	30	0	50	30
RCR: 0	1.19	1.19	1.19	1.19	1.16	1.16	1.16	1	1.11	1.11
1	1.08	1.02	0.98	0.94	1.05	1	0.96	0.82	0.96	0.92
2	0.97	0.88	0.81	0.75	0.94	0.86	0.8	0.68	0.83	0.77
3	0.88	0.77	0.68	0.61	0.85	0.75	0.67	0.57	0.72	0.65
4	0.8	0.68	0.58	0.51	0.78	0.66	0.58	0.48	0.64	0.56
5	0.74	0.6	0.51	0.44	0.71	0.59	0.5	0.42	0.57	0.49
6	0.68	0.54	0.45	0.38	0.66	0.53	0.44	0.36	0.51	0.43
7	0.63	0.49	0.4	0.33	0.61	0.48	0.39	0.32	0.46	0.38
8	0.58	0.44	0.36	0.3	0.57	0.44	0.35	0.29	0.42	0.35
9	0.54	0.41	0.32	0.26	0.53	0.4	0.32	0.26	0.39	0.31
10	0.51	0.37	0.29	0.24	0.5	0.37	0.29	0.23	0.36	0.29

## Accessory Options



### Cords and Whips

- FW3** 6' 3 Wire Fixture Whip with 1/2 Connector. in
- FW312** 12' 3 Wire Fixture Whip with 1/2 Connector. in
- FW4** 6' 4 Wire Flex/Whip\_
- SM-22** 2x2 Surface Mount Shroud Kit for RLP, LTF Seris Fixtures
- SM-24** 2x4 Surface Mount Shroud Kit for RLP, LTF Series Fixtures



© 2017 GlobalLux Lighting, LLC. All rights reserved. For informational purposes only. Reproduction in whole or part is prohibited without prior written consent of the copyright owner. The information presented in this document does not form part of any quotation or contract, is believed to be accurate and reliable and may be changed without notice. No liability will be accepted by the publisher for any consequences of its use. GlobalLux Lighting reserves the rights make changes in specification at any time without notice.