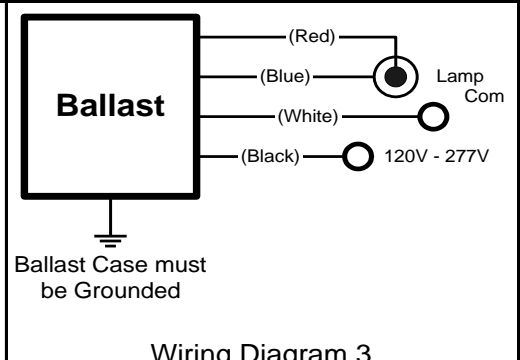
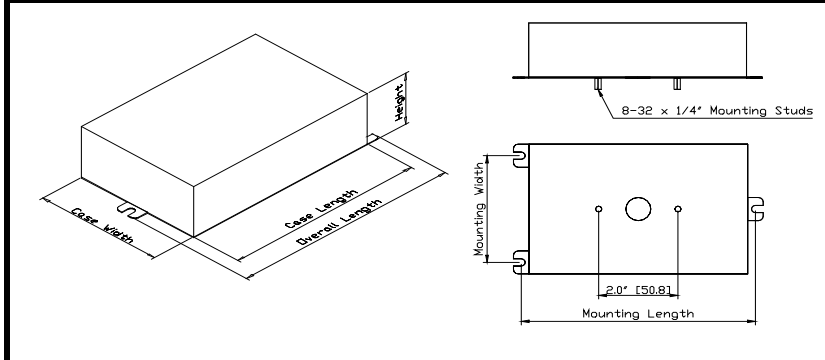


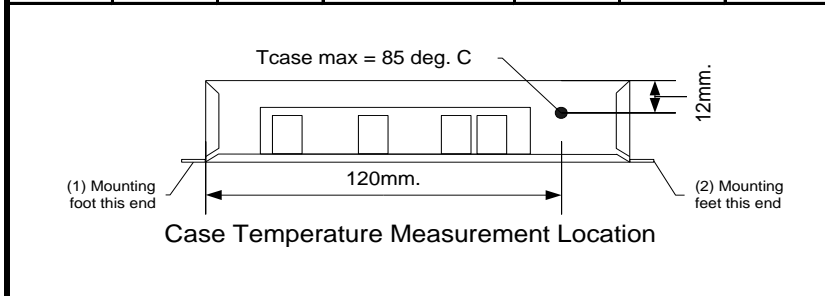
	<b>e-Vision® Electronic Ballast for Metal Halide Lamps</b>	Catalog Number: IMH-150-H For 150W Metal Halide Lamps ANSI C102/M102 or C142/M142 120-277V 50/60Hz Electronic Status: RELEASED
---	--	--

DIMENSIONS AND DATA											
Lamp		Input Volts	Catalog Number*	Line Current (Amps)	Input Power (Watts)	Min Power Factor	Wiring Diag	Fig.	Weight (lb)	Max. Distance to Lamp (ft)	
Number	Watts										

150 Watt Lamp, ANSI Code C102/M102 or C142/M142 Minimum Starting Temp -20°C/-4°F											
1	150	120 277	IMH-150-H-XXX	1.4 0.6	165 161	1	3	H	1.9	5	



Case Figure	Overall Length	Case Length	Case Width	Height	Mounting Length	Mounting Width
H	161mm [6.3"]	144mm [5.7"]	92mm [3.6"]	38mm [1.5"]	152mm [6.0"]	73mm [2.9"]





EISA Compliant

- INSTALLATION & APPLICATION NOTES:**
1. Maximum allowable case temperature is 85°C. See figure above for measurement location
  2. Ignition pulse is 4 kV max
  3. All leads are 12 inches long
  4. Ballast output will shutdown after 20 minutes if lamp fails to ignite
  5. Power must be cycled off – then on, after replacing lamp
  6. Connect the red lead to the center terminal of the lamp when using screw base lamps

*Ordering Information	
Order Suffix	Description
-LF	Ballast with side exit leads and mounting feet
-BLS	Ballast with bottom exit leads and mounting studs

Data is based on tests performed by Philips Advance in a controlled environment and is representative of relative performance. Actual performance can vary depending on operating conditions. Specifications are subject to change without notice. All specifications are nominal unless otherwise noted.