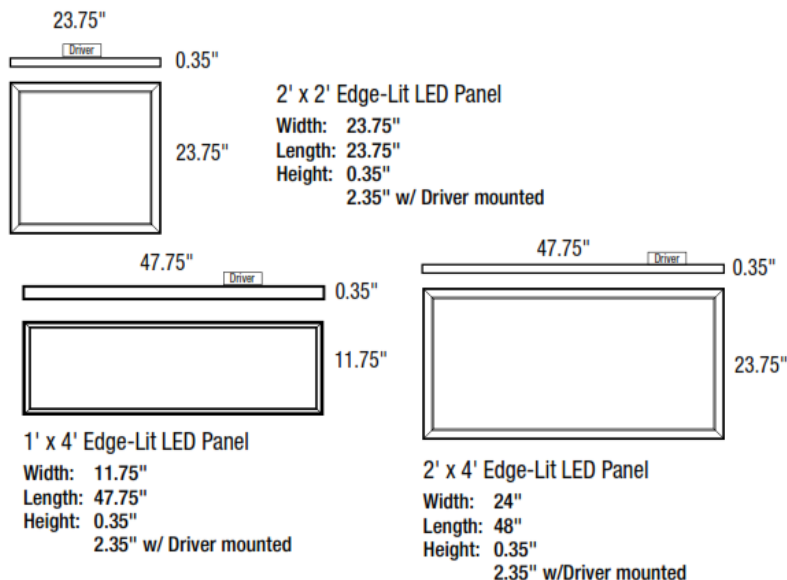


Recessed LED Panel

DIMENSIONS



APPLICATION

Typically used to replace traditional fluorescent lay in fixture. The RLP series is a next generation family of edge lite led flat panel fixtures designed to lay in drop ceilings in offices, schools, and healthcare application. The flat panels are fully dimmable, compatible with building controls, motion sensors, and daylight harvesting systems. The design of the RLP series panels produces an even and consistent shadow-less light. The LED's enable long life, high lumen maintenance, high CRI, low maintenance, and constructed without hazardous materials.

FEATURES

- Equipped standard with a 0-10V continuous dimming driver that works with any standard 0-10V control/dimmer
- Fits Standard T-Bar and Narrow Grid Drop Ceiling
- Unique Optics Guide Plate Controls Glare and Provide Uniform Light Distribution
- Integrated Hard Lid Tie Points
- Low Profile Aluminum Housing, 2" Depth including transformer panel
- Long life, 60,000 hour LEDs at L80 reduce lift cycle maintenance costs
- Optional On/Off or Bi Level Motion Sensor, High voltage transformers, emergency battery backups, cords and whips

CONSTRUCTION

Extruded aluminium housing with smooth opalescent acrylic lens.

MOUNTING

Suitable for recessed mounting within T-Bar grid.

ELECTRICAL

Equipped standard with 0-10V continuous dimming driver that works with any standard 0-10V control/dimmer. Long-Life LED's 60,000 hours at L80 with projected life over 100,000 hours for reduced life cycle maintenance costs.

CERTIFICATION

All luminaires are built to UL 1598 and 2108 standards, and bear appropriate ETL labels. Damp location labeling is standard. Emergency equipped fixtures labeled UL924. Adheres to LM70, LM80, and TM21 industry standards. DesignLights Consortium® (DLC) DLC qualified product. Not all models of this product may be DLC qualified. Please check the DLC Qualified Products List at www.designlights.org/QPL to confirm which models are qualified.

WARRANTY

5-year limited warranty. See complete warranty for terms and exclusions. (Labor not included).

ORDERING INFORMATION

Example Model Number: RLP-22-40-MVD-840-MOS

RLP	24	50	MVD	840	EML8
SERIES	FORM FACTOR	RATED WATTAGE	DRIVER TYPE	CRI AND KELVIN	OPTIONS
	14- 1'x4' Housing ¹ 22- 2'x2' Housing ³ 24- 2'x4' Housing ³	1x4 and 2x2 Housing 40- 40W (4413 Lumens) ³ 2x4 Housing 50- 50W (5861 Lumens) ³	MVD- 120-277V; 0-10V Dimming ³	835 - 80 CRI; 3500 Kelvin ^{1 3} 840 - 80 CRI; 4000 Kelvin ³ 850 - 80 CRI; 5000 Kelvin ^{1 3}	MOS- Integrated Microwave Sensor, On/Off FW3- 6', 3 Wire Fixture Whip FW4- 6', 4 Wire Fixture Whip EML8- Emergency Battery Pack, 800 Lumens EML16- Emergency Battery Pack, 1400 Lumens MOSB- Integrated Bi Level Microwave sensor

Notes:

¹Made to order items. Minimum 90 day lead time. Minimum 500 order quantity.

²DLC Listed

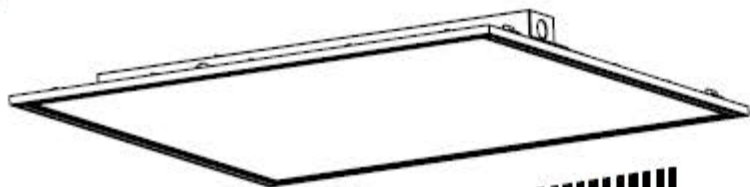
³DLC Premium Listed

⁴Quick ship: XK. Other CCTs may require lead time or special orders.

⁵Typical color consistency may vary or be changed

MODEL
RLP-22-40-MVD-840

2 PACKS




0-10V DIMMABLE

2'x2' RECESSED LED
PANEL FIXTURE | LED 100V~277V

DIRECT WIRE • QUICK AND EASY TO INSTALL

New LED Technology USES ONLY 40 WATTS



NEMA TYPE "G"
INSTALLATION INSTRUCTIONS

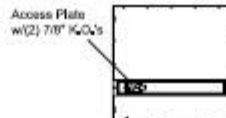
WARNING:

- This product must be installed in accordance with the applicable installation code by a person familiar with the construction and operation of the product and the hazards involved.
- Make sure all electrical power is turned off while installing the fixture.
- This luminaire must be adequately grounded for protection against shock hazards and to assure proper operation.
- Disconnect power before servicing.
- Always use correct lamp type and wattages.

What is a NEMA "G" (Grid) fixture?
- All grid fixtures (NEMA Type "G") are designed to fit securely into a standard NEMA Type "G", 1" nominal T-bar system.



1. Follow the steps below to install the fixture(s) into a NEMA Type "G" ceiling system:
 - a. Raise the fixture through the ceiling opening and rest the fixture in the grid system.
 - b. Center the fixture within the opening.
 - c. Use earthquake clips or integral T-bar clips to secure the fixture to the ceiling structure for added stability.
 - d. Refer to local codes for other installation requirements.
2. Once the fixture is installed into the ceiling system, follow the steps below to complete necessary electrical connections:
 - a. Remove access plate on the back of the fixture (see illustration below).
 - b. Remove driver supply wires from access plate.
 - c. Make wire connections in accordance with local codes. Ground screw is provided on access plate.
 - d. Re-install access plate.



LIMITED FACTORY WARRANTY

GlobalLux Lighting LLC warrants this fixture is free from defects in materials and workmanship when installed and used under normal operating conditions for a period of 5 years from date of purchase. This warranty covers all component parts and extends only to replacement of defective fixture or components; it does not cover failure due to improper installation, misuse, mishandling or damage incurred in transit.



RLP-22-40-MVD-840

GlobalLux
LIGHTING

www.globalluxlighting.com

2037 S. Vineyard Ave.
Ontario, CA 91761

909.591.7506