



LCS™ Series

LED Channel Strip

DESCRIPTION

The LCS family of Lensed LED strip lights combine high-performance LEDs and highly-engineered optics to traditional designs to bring you the most advanced line of LED Strip Lights on the market. Multiple lumen packages mean there is an LCS that is just right for your lighting needs. The LCS provides superior energy efficiency and a longer maintenance-free operating life over the traditional T5 and T8 fluorescent fixtures they are designed to replace. Excellent for general utility applications: Parking garage, warehouse, offices, restrooms, storage units, stairwell.

LCS Series

- 24" Housing**
17W (1800 Lumens)
- 48" Housing**
26W (2700 Lumens)
40W (4000 Lumens)
52W (5200 Lumens)
- 96" Housing**
68W (7200 Lumens)
104W (10800 Lumens)

Specification Features



Construction

Housing, wireway cover and ends are die-formed heavy gauge steel with high gloss, baked white enamel finish over rust inhibiting phosphate coat. Housing and wireway cover act as a heat sink, maximizing the life of the LEDs and power supplies. Knockouts provided on back, ends, and sides. Diffuser Lens reduces glare and improves occupant comfort while maintaining lens design and materials provide uniform appearance without pixilation.

Certification

All luminaires are built to UL 1598 and 2108 standards, and bear appropriate ETL labels. Damp location labeling is standard. Emergency equipped fixtures labeled UL924. Adheres to LM70, LM80, and TM21 industry standards. DesignLights Consortium® (DLC) DLC qualified product. Not all models of this product may be DLC qualified. Please check the DLC Qualified Products List at www.designlights.org/QPL to confirm which models are qualified.

Electrical

Equipped standard with fixed output driver. Optional 0-10V continuous dimming driver that works with any standard 0-10V control/dimmer. Long-Life LED's 60,000 hours at L80 with projected life over 100,000 hours for reduced life cycle maintenance costs Luminaire can be ceiling or suspend mounted.

Installation

Suitable for surface mounting, suspension, or stem mounting, individually or in continuous rows.

Warranty

5-year Limited Warranty. See warranty documentation for more information.

Options

Optional On/Off or Bi-Level Motion Sensor, high voltage transformers, emergency battery backups, whips and cords.

- Rated Life 60,000 hours
- Limited Warranty 5-years
- Efficacy Up to 106 LPW
- Continuous Dimming



Ordering Information

Example Model Number: LCS-4-52-MVD-850-P

| LCS | 4 | 52 | MVD | 8 | 50 |
|-----------------------------|---|---|--|--|---|
| Series | Length | Rated Wattage | Driver Type | CRI | Color Temp |
| LCS LED Channel Strip | 2- 24" Length 4- 48" Length ² 8- 96" Length ² | 24" Housing 17-17W (1800 Lumens) ² 26- 26W (2700 Lumens) 48" Housing 26- 26W (2700 Lumens) ² 40- 40W (4000 Lumens) ² 52- 52W (5200 Lumens) ² 96" Housing 68- 68W (7200 Lumens) ² 104- 104W (10800 Lumens) ² | MV- 120-277V ² MVD-120-277V; 0-10V Dimming ² HVD-347-480V,0-10V Dimming HV-347-480V | 8 80+ CRI | 35 3500 Kelvin ^{1 2} 40 4000 Kelvin ² 50 5000 Kelvin ² |
| Options | | | | | |
| Emergency Backup | | Control | | Accessories | |
| EML8 800lm EML16 1600lm | | MOS- Integral Microwave Sensor, On/Off OS- Fixture Mounted Occupancy Sensor, On/Off MOSB- Integral Bi-Level Microwave Sensor MOSB-FM- Fixture Mounted Bi-Level Microwave Sensor | | FW3- 6' 3 Wire Fixture whip FW4- 6' 4 Wire Fixture Whip | |

Specifications and Dimensions subject to change without notice

Performance Summary

| | |
|--------------------------------|----------------------------|
| Input Voltage | 120V-277V |
| Input Frequency | 50/60 Hz |
| Rated Wattage | See Performance Table |
| Delivered Lumens | See Performance Table |
| Efficac | > 106 LPW (typ.) |
| CRI | 83+, R9 > 0 |
| Available CCT ¹ | 3500K,4000K,5000K |
| Color Consistency ² | 5-step MacAdam Ellipse |
| Rated Life | 60,000 hours |
| L70 ³ | > 72,000 hours or > 45,000 |
| Power Factor | > 0.9 |
| THD | < 20% |
| Dimming | 0-10V Continuous (10-100%) |
| Operating Temp. | -18°C to 40°C |

Performance Data

| Lens Type | Form Factor | Catalog No. | Rated Wattage (W) | Delivered Lumens | Efficacy (lm/W) |
|----------------------|-------------|-------------------|-------------------|------------------|-----------------|
| Frosted Acrylic Lens | 2' | LCS-2-17-MV-850 | 17W | 1,800 | 105.8 |
| | | LCS-4-40-MV-850 | 40W | 4,200 | 105 |
| | 4' | LCS-4-52-MVD-850 | 52.67W | 5,771.47 | 105 |
| | | | | | |
| | 8' | LCS-8-68-MVD-840 | 70W | 7,350 | 105 |
| | | LCS-8-104-MVD-850 | 104W | 11,000 | 105.77 |

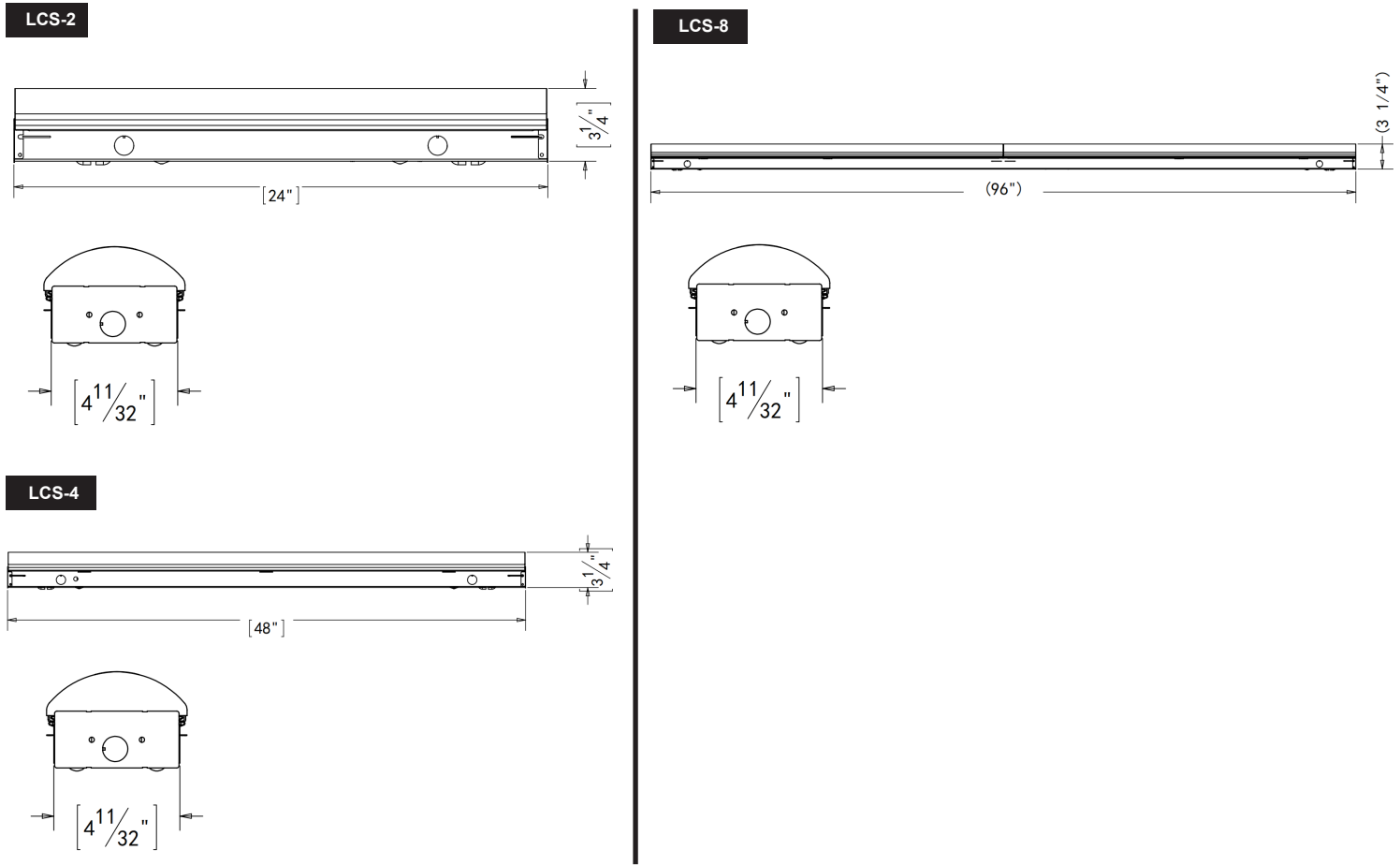
NOTES:

- ¹ Made to order items. Minimum 90 day lead time. Minimum 500 order quantity.
- ² DLC Listed
- ³ DLC Premium Listed
- ⁴ Quick ship:3500K,4000K 5000K. Other CCTs may require a lead time or be special order
- ⁵ Typical color consistency. May vary or be changed.
- ⁶ L70 hours calculated based on LED package manufacturer LM80 report and ISTMT report of LED in luminaire. Stated values are for select catalog numbers. Contact manufacturer for detailed information



Specifications and Dimensions subject to change without notice

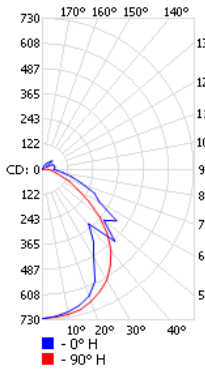
Product Dimensions



Photometric Data

LCS-2-17-MV-850 Tested in accordance to IESNA LM-79

Polar Candela Curve



Zonal Lumen Summary

| Zone | Lumens | % Lamp | % Luminaire |
|-------|----------|--------|-------------|
| 0-30 | 555.8 | 27.70% | 27.80% |
| 0-40 | 878.1 | 43.80% | 43.90% |
| 0-60 | 1,440.50 | 71.90% | 72% |
| 60-90 | 408.4 | 20.40% | 20.40% |
| 0-90 | 1,848.80 | 92.30% | 92.40% |

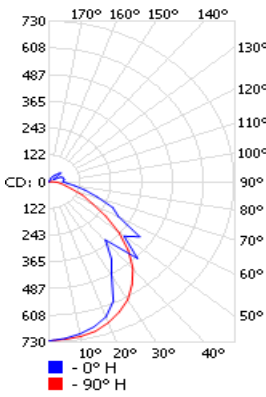
Coefficients of Utilization

| RCC %: | 80 | | | | 70 | | | | 50 | |
|--------|------|------|------|------|------|------|------|------|------|------|
| | 70 | 50 | 30 | 0 | 70 | 50 | 30 | 0 | 50 | 30 |
| RW %: | 1.17 | 1.17 | 1.17 | 1.17 | 1.13 | 1.13 | 1.13 | 0.92 | 1.07 | 1.07 |
| RCR: 0 | 1.17 | 1.17 | 1.17 | 1.17 | 1.13 | 1.13 | 1.13 | 0.92 | 1.07 | 1.07 |
| 1 | 1.07 | 1.02 | 0.97 | 0.93 | 1.03 | 0.99 | 0.95 | 0.77 | 0.93 | 0.9 |
| 2 | 0.97 | 0.89 | 0.82 | 0.76 | 0.94 | 0.86 | 0.8 | 0.65 | 0.81 | 0.76 |
| 3 | 0.89 | 0.78 | 0.7 | 0.64 | 0.85 | 0.76 | 0.69 | 0.56 | 0.72 | 0.66 |
| 4 | 0.81 | 0.69 | 0.61 | 0.54 | 0.78 | 0.68 | 0.6 | 0.48 | 0.64 | 0.57 |
| 5 | 0.75 | 0.62 | 0.53 | 0.47 | 0.72 | 0.61 | 0.53 | 0.42 | 0.58 | 0.51 |
| 6 | 0.69 | 0.56 | 0.48 | 0.41 | 0.67 | 0.55 | 0.47 | 0.37 | 0.52 | 0.45 |
| 7 | 0.64 | 0.51 | 0.43 | 0.37 | 0.62 | 0.5 | 0.42 | 0.34 | 0.48 | 0.41 |
| 8 | 0.6 | 0.47 | 0.38 | 0.33 | 0.58 | 0.46 | 0.38 | 0.3 | 0.44 | 0.37 |
| 9 | 0.56 | 0.43 | 0.35 | 0.3 | 0.54 | 0.42 | 0.35 | 0.27 | 0.4 | 0.34 |
| 10 | 0.53 | 0.4 | 0.32 | 0.27 | 0.51 | 0.39 | 0.32 | 0.25 | 0.38 | 0.31 |

Photometric Data

LCS-2-17-MV-850 Tested in accordance to IESNA LM-79

Polar Candela Curve



Zonal Lumen Summary

| Zone | Lumens | % Lamp | % Luminaire |
|-------|----------|--------|-------------|
| 0-30 | 555.8 | 27.70% | 27.80% |
| 0-40 | 878.1 | 43.80% | 43.90% |
| 0-60 | 1,440.50 | 71.90% | 72% |
| 60-90 | 408.4 | 20.40% | 20.40% |
| 0-90 | 1,848.80 | 92.30% | 92.40% |

Coefficients of Utilization

| RCC %: | 80 | | | | 70 | | | | 50 | | | |
|--------|------|------|------|------|------|------|------|------|------|------|------|--|
| | 70 | 50 | 30 | 0 | 70 | 50 | 30 | 0 | 50 | 30 | 20 | |
| RCR: 0 | 1.17 | 1.17 | 1.17 | 1.17 | 1.13 | 1.13 | 1.13 | 0.92 | 1.07 | 1.07 | 1.07 | |
| 1 | 1.07 | 1.02 | 0.97 | 0.93 | 1.03 | 0.99 | 0.95 | 0.77 | 0.93 | 0.9 | 0.87 | |
| 2 | 0.97 | 0.89 | 0.82 | 0.76 | 0.94 | 0.86 | 0.8 | 0.65 | 0.81 | 0.76 | 0.72 | |
| 3 | 0.89 | 0.78 | 0.7 | 0.64 | 0.85 | 0.76 | 0.69 | 0.56 | 0.72 | 0.66 | 0.61 | |
| 4 | 0.81 | 0.69 | 0.61 | 0.54 | 0.78 | 0.68 | 0.6 | 0.48 | 0.64 | 0.57 | 0.52 | |
| 5 | 0.75 | 0.62 | 0.53 | 0.47 | 0.72 | 0.61 | 0.53 | 0.42 | 0.58 | 0.51 | 0.45 | |
| 6 | 0.69 | 0.56 | 0.48 | 0.41 | 0.67 | 0.55 | 0.47 | 0.37 | 0.52 | 0.45 | 0.4 | |
| 7 | 0.64 | 0.51 | 0.43 | 0.37 | 0.62 | 0.5 | 0.42 | 0.34 | 0.48 | 0.41 | 0.35 | |
| 8 | 0.6 | 0.47 | 0.38 | 0.33 | 0.58 | 0.46 | 0.38 | 0.3 | 0.44 | 0.37 | 0.32 | |
| 9 | 0.56 | 0.43 | 0.35 | 0.3 | 0.54 | 0.42 | 0.35 | 0.27 | 0.4 | 0.34 | 0.29 | |
| 10 | 0.53 | 0.4 | 0.32 | 0.27 | 0.51 | 0.39 | 0.32 | 0.25 | 0.38 | 0.31 | 0.26 | |

Effective Floor Cavity Reflectance: 20%

Accessory Options



Cords and Whips

| | |
|------------------|---|
| CS6-182-115P-WH | 6' Cord 18/2 Nema 115P 120V White Finish |
| CS6-183-515P-BL | 6' Cord 18/3 Nema 515P 120V White Finish |
| CS6-183-183-BL | 6' Cord 18/3 to 18/3 SJT ENDS Black Finish |
| CS6-183-L515P-BL | 6' Cord 18/3 Nema 515P 120V Black Finish |
| CS6-183-L615P-BL | 6' Cord 18/3 Nema L715P(Twist Locking) 240V Black Fir |
| CS6-183-L715P-BL | 6' Cord 18/3 Nema L715P(Twist Locking) 277V Black Fir |
| CS12-183-183-BL | 6' Cord 18/3 Nema L715P(Twist Locking) 277V Black Fir |
| CS12-183-L515P-B | 12' Cord 18/3 Nema 515P 120V Black Finish |
| CS12-183-L615P-B | 12' Cord 18/3 Nema L715P(Twist Locking) 240V Black F |
| CS12-183-L715P-B | 12' Cord 18/3 Nema L715P(Twist Locking) 277V Black F |



© 2017 GlobaLux Lighting, LLC. All rights reserved. For informational purposes only. Reproduction in whole or part is prohibited without prior written consent of the copyright owner. The information presented in this document does not form part of any quotation or contract, is believed to be accurate and reliable and may be changed without notice. No liability will be accepted by the publisher for any consequences of its use. GlobaLux Lighting reserves the rights make changes in specification at any time without notice.

Installation Instructions

ASSEMBLY AND INSTALLATION:

TURN OFF POWER FROM THE MAIN CIRCUIT BEFORE INSTALLING FIXTURE.

1. To help prevent the possibility of electrical shock, the use for rubber sole shoes is recommended.

2. Exercise care, use work gloves when handling the fixture to avoid cuts or abrasions.

3. Press channel and remove channel cover.

4. Mount fixture in desired spot. (Make sure the mounting surface is structurally sound). Pull supply and ground wires in to Housing Channel, through, the knock out hole for wiring.

5. Electrical Connections: Connect green/or bare copper wire to the green ground wire of fixture. (Ground wire must be properly attached or unit may not work).

Connect the white supply wire to the white fixture wire, cover them with a wire nut/or twist together and cover really well with Electrical tape. Connect the black supplier wire to the black fixture wire, cover them with a wire nut/or twist together and cover really well with Electrical tape.

6. Place Channel Cover back on Housing Channel.

7. Install lens(if included).

8. Turn power on.

