



# 92057

## PAR38 FLOOD LAMP

HALOGEN PAR

### TECHNICAL DATA SHEET

Superior Life® Enviro-Lume™ Halogen lamps are an energy efficient alternative to the standard halogen. They are engineered with the latest technology in filament design to deliver the longest lasting halogen par lamps on the market.

#### FEATURES

- Uniform beam without hot spots
- Optimized lumen output
- Up to 40% longer life

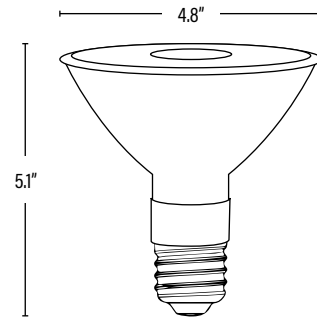
#### APPLICATION

Replaces standard 90W Halogen lamps, used for landscape and retail lighting.

### PRODUCT DETAILS

ELECTRICAL	
Wattage	70W
Voltage	120V
LIGHTING PERFORMANCE	
Lumens	1310
Lumens Per Watt (Lm/W)	19
Color Temperature (CCT)	3000K
Dimmable Lighting Control	<i>Dimmable</i>
LIFESPAN	
Average Life (Hours)	1,500
Warranty (Years)	1
CONSTRUCTION	
Housing	Aluminum / Glass
Base / Power Supply	E26-Medium
Finish	Silver
CERTIFICATIONS	
Ⓢ EISA Compliant (Meets US Min. Efficiency standards)	Yes

PACKAGING	
Master Carton	15pc / 10811768020349
Individual Box	811768020342
Country of Origin	China
HS Tariff	8539.21.4040
DIMENSIONS	
Dimensions (Inches)	5.1"(L) x 4.8"(DIA)



### ORDERING

ITEM#	DESCRIPTION	CASE
92057	70PAR38/FLOOD - ENVIRO-LUME™	15