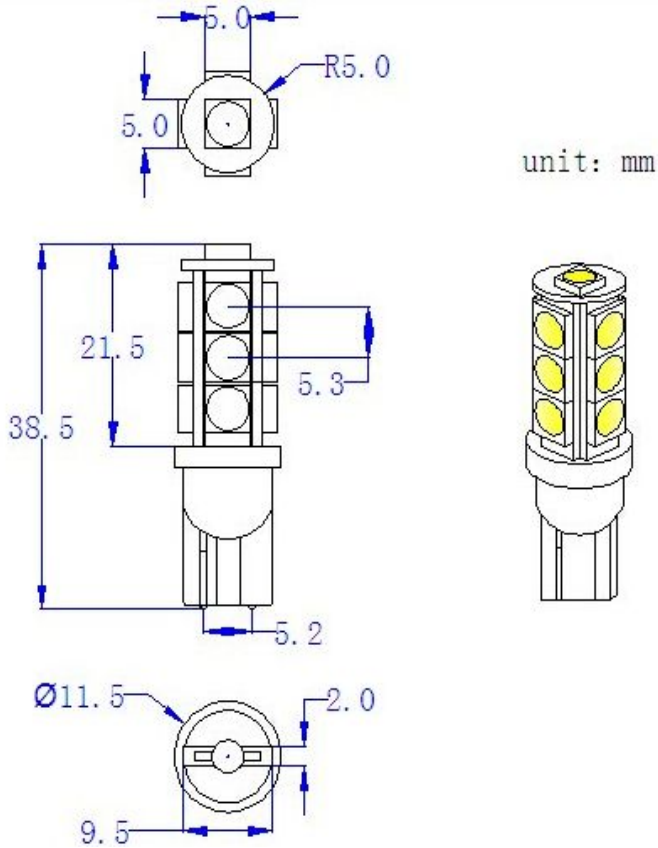


# Product Description

Model: T10 13SMD5050  
Base Type: Miniature Wedge  
Voltage: 11V~14.5V DC  
Light Source: 5050 Epistar chips  
Wattage: 2W  
Lumens (Initial): 180 LM  
Diameter: 11.5mm  
Length: 38.5mm  
Life Hours: 50,000  
IP Rating: IP-50  
Application: Vehicles, Boats, Furniture, etc.

Part No.: 800008-0T10S013BA25K  
Application: DC  
Beam Angle: 360°  
Color: Warm white  
Color Temperature: 2500K  
Certificate: CE & RoHS  
Working Temperature: -35 to +55°C  
CRI> 80  
LED quantity: 13pcs 5050 chips  
Replaces Stock Bulb: 194, W5W, 501, 158, 904, 906, 912, 916, 917, 920, 921, 922

Unit: mm



unit: mm