

LED VAPOR TIGHT LINEAR FIXTURES LSV SERIES

24" LED Vapor Tight
Translucent Lens w/
Occupancy Sensor



48" LED Vapor Tight



PRODUCT DESCRIPTION:

A cost effective LED Vapor Tight Fixture, features full length polycarbonate lens, one piece white (PC) Polycarbonate body. Designed to meet or exceed IES recommended Fc at installed heights for parking drive lane compliance. For uses as utility lighting, parking garage and stairwell lighting where meets applicable building and safety codes.



FEATURES:

- Thermal/Lumen balanced light engine5
- Non-Corrosive (PC) Polycarbonate housing
- Stainless Steel spec grade hasps and clips
- Back KO location and End sealed Conduit openings methods
- Low power consumption
- Surface mount std. and suspension kit optional
- IP65 rated with hermetic sealing
- White Finish standard
- CRI >83
- Assembled in USA available upon request

CONSTRUCTION:

- One piece (PC) Polycarbonate housing body
- Clear Lens with inside ribbing Std.
- Translucent white lens optional
- Electrostatic Painted Steel gear tray
- Universal voltage 120V-277V
- 0-10V Dimming standard
- Class II driver

THERMAL/ LUMEN BALANCED LIGHT ENGINES –

MaxLite engineered low drive rates allow cooler operating temperatures. This translates as less thermal heat sinking needed, while allowing more LED's to be used, resulting in more lumen output. Cooler LED's perform correspondingly longer than harder driven hot LED's.

CONTROL:

- Omni-directional quad element infrared sensor
- Frequency detection zero-cross relay switching
- 0-10V selectable output for low dim control
- Walk test and sensor operation LED indicator
- Direct lead wires for easy wiring connections
- 8 rotary DIP switch selectable control modes
- 7 low dim levels changeable via Accu-Set

MODEL SELECTION (Full list of order codes on pg. 3)

Typical order example: LSV4806SU30DV40MS

LS	V		06	S	U		DV		
FAMILY	TYPE	LENGTH (IN)	WIDTH (IN)	APPLICATION	VOLTAGE	NOMINAL WATTAGE	DIMMING	CCT	OPTIONS
LS= Linear Series	V= Vapor Tight	24= 26" 48= 50"	06= 6.75"	S= Surface Mount	U= Universal 120-277VAC	30= 30W 50= 50W**	DV= 0-10V Dimming***	40= 4000K 50= 5000K	MS= Motion sensor TS= Translucent white diffuser EM= Back up lighting

SUSPENSION KIT

ORDER CODE	MODEL NUMBER	DESCRIPTION
74139	MLCHKLSV15	Cable Kit 15' Loop x Loop 1 Pair

NOTES:

1. DLC is only approved on fixtures with clear lens
2. **50W not available in 24 length
3. For DLC compliance to Category 9 Stairwell & Passageway use MS models
4. For DLC compliance to Category 21 Linear Ambient Direct use standard models
5. For DLC Category 23 Lowbay performance use 4' 50w model without TS option
6. Clear lens are standard and frosted lens is optional

SPECIFICATIONS:

ITEM	SPECIFICATION	LSV24	LSV48
		DETAILS	DETAILS
GENERAL PERFORMANCE	Color Temperature (CCT)	4000K, 5000K	4000K, 5000K
	Wattage	30W	30W / 50W
	Deliver Lumens	3082-3113	3937-3506 / 4998-5043
	Efficacy (LM/W)	>95	>112 / >104
	Spacing Criteria	1.28 (0-180) / 1.68 (90-180)	1.18 (0° – 180°) / 1.72 (90° – 270°)
	Beam Angle	70.3° (V) / 36.2° (H)	74.8° (V) / 47.6° (H)
	Standby Lumens	0-50% Selectable with Occupancy Sensor	
	Color Consistency	Proprietary binning for uniform color	
	Lumen Maintenance (L70)	50,000 hours	
ELECTRICAL	Power Factor	Over 0.90	Over 0.90
	Maximun THD	<20%	<20%
	Input Voltage	120-277V	120-277V
	Power Cosum. (tested)	32.15	31.0 / <48.11
CONTROL	System	0-10v Dimming	
	Control	30w = 15 Fixtures 50w = 10 Fixtures	
Occ SENSOR**	Sensor Load	Max 800W	
	Dimming Levels	0/ 5/ 10/ 20/ 25/ 33/ 50% selectable	
	Ambient Light Level	Selectable Ambient Light Levels (3 levels)	
	Time Delay	Selectable Time delay (1 min to 30 min)	
	Type	Omni-directional quad element pyroelectric	
	Optics	Standard: Conical / 8-15' Install Hts / 2x Ht beam width	
	Rating	120-277V / Wet Listed	
PHYSICAL	Dimensions (L x W x H)	26" x 6.75" x 4.75"	50" x 6.75" x 4.75"
	Dimensions w/ Occ Cntrl	30.25" x 6.75" x 4.75"	54.25" x 6.75" x 4.75"
	Weight	5 +/- .5 lbs	7 +/- .5 lbs
	Housing	5VA Opaque Polycarbonate	
	Lens	Ribbed Clear Polycarbonate Std	
	Mounting	Ceiling Surface mount (Hardware incl)	
	Operating Temperature	-22°F to 104°F (-30°C to 40°C)	
CERTIFICATION	Certification	UL, FCC, LM79, LM80, Back Up Lighting conforms to UL1598	
	Material Usage	RoHS compliant; no mercury	
	Environment	Indoor / Outdoor Covered – Wet, IP65	
	Warranty	5 Year	

L70 LUMEN MAINTENANCE AT 25°C PER IESNA TM-21-2008

MODELS	IESNA CALCULATED LIFE
LSV2406SU30XXXX	56,000 Hrs
LSV4806SU30XXXX	76,000 Hrs
LSV4806SU50XXXX	54,000 Hrs

NOTES:

- *Contact MaxLite for Final LM-79 reports
- ** Must order with "MS" suffix to receive occupancy control, factory assembled only, not sold separate
3. Designed for sustainability, Contact MaxLite for any repair or replacement components needed

ORDERING CODE*:

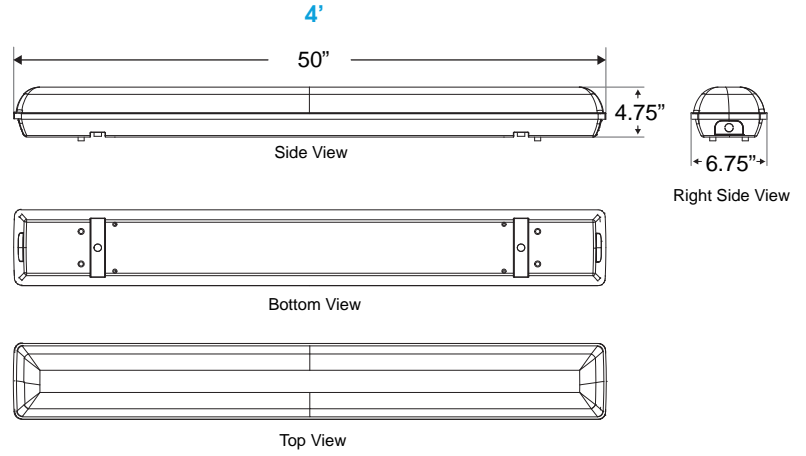
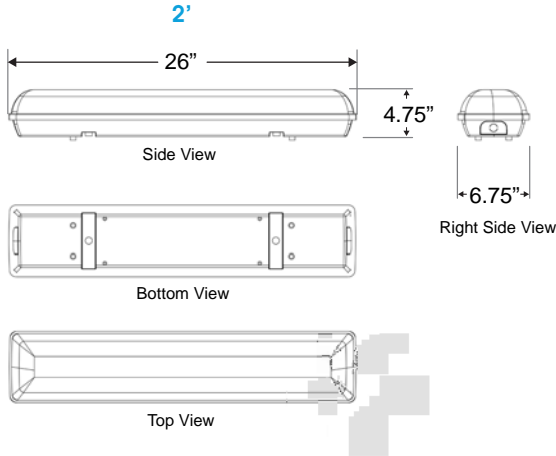
ORDER CODE	ITEM NUMBER	DESCRIPTION
73177	LSV2406SU30DV40	LED VAPOR TIGHT 24 120-277V 30W 0-10V 4000K
73189	LSV2406SU30DV40EM	LED VAPOR TIGHT 24 120-277V 30W 0-10V 4000K W/ BBU
73185	LSV2406SU30DV40MS	LED VAPOR TIGHT 24 120-277V 30W 0-10V 4000K W/ MOTION SENSOR
73181	LSV2406SU30DV40TS	LED VAPOR TIGHT 24 120-277V 30W 0-10V 4000K W/ TRANSLENS
73197	LSV2406SU30DV40TSEM	LED VAPOR TIGHT 24 120-277V 30W 0-10V 4000K W/ TRANSLENS W/ BBU
73193	LSV2406SU30DV40TSMS	LED VAPOR TIGHT 24 120-277V 30W 0-10V 4000K W/ TRANSLENS W/ PIR
73178	LSV2406SU30DV50	LED VAPOR TIGHT 24 120-277V 30W 0-10V 5000K
73190	LSV2406SU30DV50EM	LED VAPOR TIGHT 24 120-277V 30W 0-10V 5000K W/ BBU
73186	LSV2406SU30DV50MS	LED VAPOR TIGHT 24 120-277V 30W 0-10V 5000K W/ MOTION SENSOR
73182	LSV2406SU30DV50TS	LED VAPOR TIGHT 24 120-277V 30W 0-10V 5000KW/ TRANSLENS
73198	LSV2406SU30DV50TSEM	LED VAPOR TIGHT 24 120-277V 30W 0-10V 5000K W/ TRANSLENS W/ BBU
73194	LSV2406SU30DV50TSMS	LED VAPOR TIGHT 24 120-277V 30W 0-10V 5000K W/ TRANSLENS W/ PIR
73225	LSV4806SU30DV40	LED VAPOR TIGHT 48 120-277V 30W 0-10V 4000K
73237	LSV4806SU30DV40EM	LED VAPOR TIGHT 48 120-277V 30W 0-10V 4000K W/ BBU
73233	LSV4806SU30DV40MS	LED VAPOR TIGHT 48 120-277V 30W 0-10V 4000K W/ MOTION SENSOR
73229	LSV4806SU30DV40TS	LED VAPOR TIGHT 48 120-277V 30W 0-10V 4000K W/ TRANSLENS
73245	LSV4806SU30DV40TSEM	LED VAPOR TIGHT 48 120-277V 30W 0-10V 4000K W/ TRANSLENS W/ BBU
73241	LSV4806SU30DV40TSMS	LED VAPOR TIGHT 48 120-277V 30W 0-10V 4000K W/ TRANSLENS W/ PIR
73226	LSV4806SU30DV50	LED VAPOR TIGHT 48 120-277V 30W 0-10V 5000K
73238	LSV4806SU30DV50EM	LED VAPOR TIGHT 48 120-277V 30W 0-10V 5000K W/ BBU
73234	LSV4806SU30DV50MS	LED VAPOR TIGHT 48 120-277V 30W 0-10V 5000K W/ MOTION SENSOR
73230	LSV4806SU30DV50TS	LED VAPOR TIGHT 48 120-277V 30W 0-10V 5000KW/ TRANSLENS
73246	LSV4806SU30DV50TSEM	LED VAPOR TIGHT 48 120-277V 30W 0-10V 5000K W/ TRANSLENS W/ BBU
73242	LSV4806SU30DV50TSMS	LED VAPOR TIGHT 48 120-277V 30W 0-10V 5000K W/ TRANSLENS W/ PIR
73321	LSV4806SU50DV40	LED VAPOR TIGHT 48 120-277V 50W 0-10V 4000K
73333	LSV4806SU50DV40EM	LED VAPOR TIGHT 48 120-277V 50W 0-10V 4000K W/ BBU
73329	LSV4806SU50DV40MS	LED VAPOR TIGHT 48 120-277V 50W 0-10V 4000K W/ MOTION SENSOR
73322	LSV4806SU50DV50	LED VAPOR TIGHT 48 120-277V 50W 0-10V 5000K
73334	LSV4806SU50DV50EM	LED VAPOR TIGHT 48 120-277V 50W 0-10V 5000K W/ BBU
73330	LSV4806SU50DV50MS	LED VAPOR TIGHT 48 120-277V 50W 0-10V 5000K W/ MOTION SENSOR
73834	LSV4806SU50DV40TS	LED VAPOR TIGHT 48" 120-277V 50W 0-10V 4000K W/ TRANSLENS
73835	LSV4806SU50DV40TSEM	LED VAPOR TIGHT 48" 120-277V 50W 0-10V 4000K W/ TRANSLENS W/ BBU
73836	LSV4806SU50DV40TSMS	LED VAPOR TIGHT 48" 120-277V 50W 0-10V 4000K W/ TRANSLENS W/ MOTION SENSOR
73837	LSV4806SU50DV50TS	LED VAPOR TIGHT 48" 120-277V 50W 0-10V 5000K W/ TRANSLENS
73838	LSV4806SU50DV50TSEM	LED VAPOR TIGHT 48" 120-277V 50W 0-10V 5000K W/ TRANSLENS W/ BBU
73839	LSV4806SU50DV50TSMS	LED VAPOR TIGHT 48" 120-277V 50W 0-10V 5000K W/ TRANSLENS W/ MOTION SENSOR

*Please contact your MaxLite representative to order products that don't have order codes listed here.

COMPATIBLE DIMMERS:

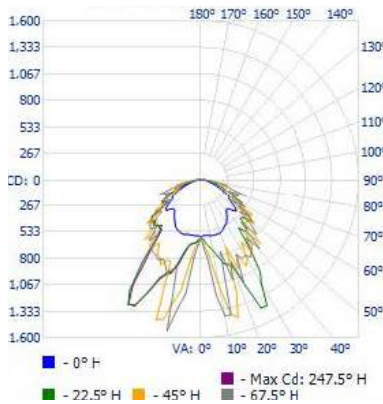
MAKE	DIMMER MODEL
Lutron	NFTV0-10
Leviton	IP710 DL

LINE DRAWING:

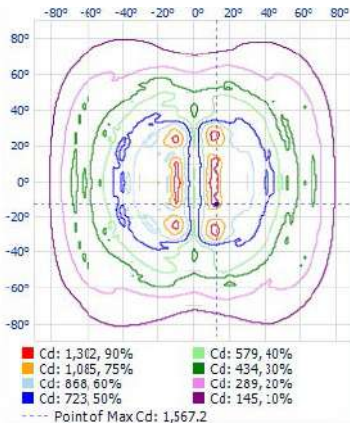


PHOTOMETRICS:

LSV2406SU30DVxx

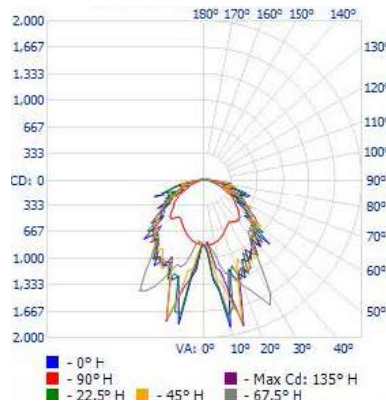


Polar Candela

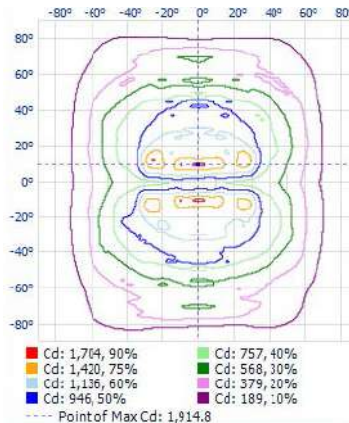


Isocandela Plot

LSV4806SU30DVxx

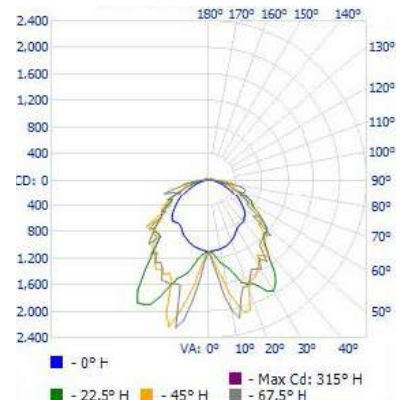


Polar Candela

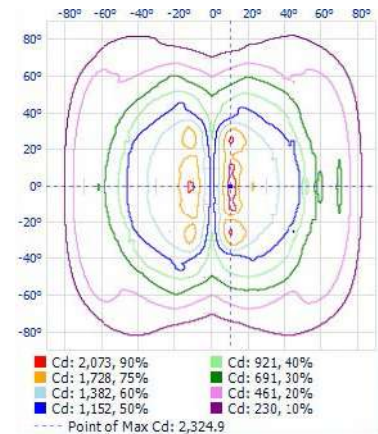


Isocandela Plot

LSV4806SU50DVxx



Polar Candela



Isofootcandle Plot