

LED HIGH BAY



FEATURES

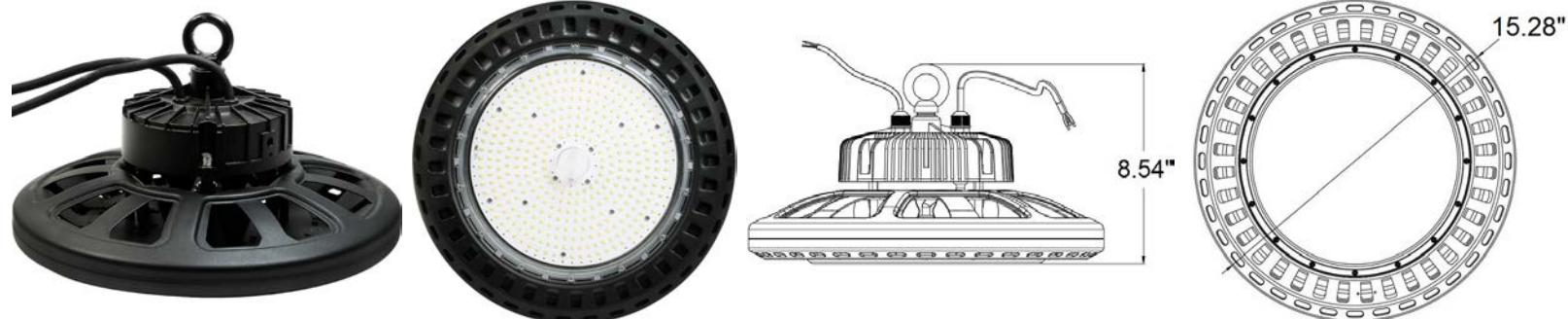
- For Commercial and Industrial Buildings
- 750 Watt Metal Halide Equivalent
- Compatible with 1-10V Dimmer
- UL Listed for Damp Locations
- 120° Beam Angle
- IP65 Rating



ENERGY EFFICIENCY & LONG LIFE
75% MORE ENERGY EFFICIENT THAN STANDARD
MH LAMPS TYPICAL PAYBACK OF 1 - 3 YEARS

SKU#	Kelvin	Lumens	Shape	Wattage	Voltage	DLC?	Mounting	Life Hours	Warranty
PLT-11084-5K	5000	32,640	Round	240	120-277	NO	Ring	35,000	5 Years

ADDITIONAL PHOTOS



FEATURES

- Polycarbonate Lens
- Lightweight design
- LED Driver Included

SPECIFICATIONS

DIMMABLE	YES
DLC LISTED	NO
SAFETY RATING	UL
CRI80
COLOR	STARK WHITE
COLOR TEMPERATURE	5000K
LIFE HOURS	35,000
WATTAGE	240 WATTS
LUMENS	32,640
VOLTAGE	120-277
FINISH.....	BLACK
HOUSING	ALUMINUM
MOUNTING	RING MOUNT
LENS	POLYCARBONATE
DIAMETER	15.28 IN.
HEIGHT	8.54 IN.
WEIGHT	10.8 LBS.

TYPICAL APPLICATIONS

- Industrial Factories
- Distribution Centers
- Cold Storage Facilities

WARRANTY

Warranty

5 Years

PHOTOMETRICS

