

LED UTILITY WRAP LSU SERIES



Utility Wrap with
Optional Wire Guard



FEATURES:

- Thermal/Lumen balanced light engine⁵
- Steel Construction
- Back and End Knockouts
- Class II driver, with 0-10V dimming
- Low power consumption
- Ceiling or wall mounted
- For covered use only – damp rated
- Wire Guard available
- White Finish standard
- CRI > 83
- Optional Occupancy Sensor available
- Assembled in USA available upon request

CONSTRUCTION:

- 20 Ga. Steel body and end caps
- Clear Acrylic Prismatic Lens
- Electrostatic Paint pre-assembly
- Universal voltage 120-277v

THERMAL/ LUMEN BALANCED LIGHT ENGINES –

MaxLite engineered low drive rates allow cooler operating temperatures. This translates as less thermal heat sinking needed, while allowing more LED's to be used, resulting in more lumen output. Cooler LED's perform correspondingly longer than harder driven hot LED's.

CONTROL:

- Omni-directional quad element infrared sensor
- 3 Daylight Harvesting setting
- 0-10V selectable output for low dim control
- Walk test and sensor operation LED indicator
- Direct lead wires for easy wiring connections
- 8 rotary DIP switch selectable control modes
- 7 low dim levels changeable via Accu-Set

PRODUCT DESCRIPTION:

A cost effective LED Utility Wrap Fixture, features full length U Wrap Acrylic lens, one piece fabricated steel body. Designed to meet or exceed 7-10Fc at 8' installed heights for parking drive lane compliance. For uses as utility lighting, parking garage and stairwell lighting where meets applicable building and safety codes.

MODEL SELECTION (Full list of order codes on pg. 3)						Typical order example: LSU4806SU30DV40			
LS	U		06	S	U		DV		
FAMILY	TYPE	LENGTH (IN)	WIDTH (IN)	APPLICATION	VOLTAGE	NOMINAL WATTAGE	DIMMING	CCT	OPTIONS
LS	U= Utility Wrap	24= 24" 48= 48"	06= 6.75"	S= Surface Mount	U= Universal 120-277VAC	20= 20W** 30= 30W 50= 50W*	DV= 0-10V Dimming	40= 4000K 50= 5000K	MS= Motion Sensor **Wire Guard EM= Back Up Emergency

ACCESSORIES		
ORDER CODE	MODEL NUMBER	DESCRIPTION
72460	LSUWG2407	WIRE GUARD - WRAP FIXTURE 2FT X 6.75IN
72463	LSUWG4807	WIRE GUARD - WRAP FIXTURE 4FT X 6.75IN

NOTES:

1. *50W not available in 24" length
2. **20W available in 4' length only
3. **Wire Guards sold separate, see pg. 3 for order code
4. For DLC compliance to Category 9 Stairwell & Passageway use MS models
5. For DLC compliance to Category 21 Linear Ambient Direct use standard models
6. For DLC Category 23 Lowbay performance use 4' 50w model

SPECIFICATIONS:

ITEM	SPECIFICATION	LSU24	LSU48		
		DETAILS	DETAILS		
GENERAL PERFORMANCE	Spacing Criteria	Available Upon Request			
	Color Temperature (CCT)	4000K, 5000K	4000K, 5000K		
	Wattage	30w	20w	30w	50w
	Deliver Lumens	2902-3017	2193-2170	3583-3233	4625-4923
	Efficacy (LM/W)	>90.2	>107	>103	>97.3
	Standby Lumens*	0-50% Selectable with Occupancy Sensor			
	Color Consistency	Proprietary binning for uniform color			
	Lumen Maintenance (L70)	See below			
ELECTRICAL	Power Factor	Over 0.90	Over 0.90		
	Maximun THD	<20%	<20%		
	Input Voltage	120-277V	120-277V		
	Input Cosum. (tested)	<32.9	<20.1	<31.5	<48.8
CONTROL	System	0-10v Dimming			
	Linking to external control	20w = 20 Fixtures 30w = 15 Fixtures 50w = 10 Fixtures			
Occ SENSOR**	Sensor Load	Max 800W			
	Dimming Levels	0/ 5/ 10/ 20/ 25/ 33/ 50% selectable			
	Ambient Light Level	Selectable Ambient Light Levels (3 levels)			
	Time Delay	Selectable Time delay (1 min to 30 min)			
	Type	Omni-directional quad element pyroelectric			
	Optics	Standard: Conical / 8-15' Install Hts / 2x Ht beam width			
	Rating	120-277V / Wet Listed			
PHYSICAL	Dimensions (L x W x H)	25" x 6.75" x 2.5"	48.75" x 6.75" x 2.5"		
	Dimensions w/ Occ Cntrl	29.5" x 6.75" x 2.5"	53.25" x 6.75" x 2.5"		
	Weight	5 +/- .5 lbs	7 +/- .5 lbs		
	Housing	Steel painted after fab			
	Lens	Acrylic Prismatic			
	Mounting	Ceiling Surface			
	Operating Temperature	-4°F to 104°F			
CERTIFICATION	Certification	UL, FCC, LM79, LM80			
	Material Usage	RoHS compliant; no mercury			
	Environment	Indoor / Outdoor Covered – DAMP			
	Warranty	5 Year			

L70 LUMEN MAINTENANCE AT 25°C PER IESNA TM-21-2008	
MODELS	IESNA CALCULATED LIFE
LSU2406SU30XXXX	54,000 Hrs
LSU4806SU20XXXX	76,000 Hrs
LSU4806SU30XXXX	76,000 Hrs
LSU4806SU50XXXX	59,000 Hrs

NOTES:

- ***Designed for sustainability, Contact MaxLite for any repair or replacement components needed
- ** Must order with "MS" suffix to receive occupancy control, factory assembled only, not sold separate
- * Contact MaxLite for Final LM-79 reports

ORDERING CODE:

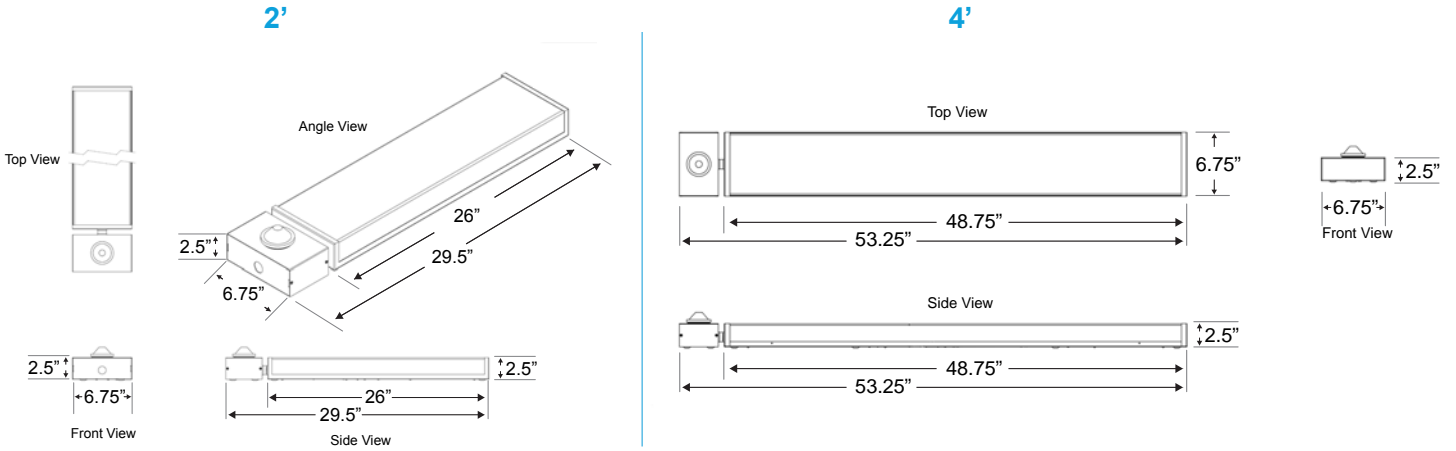
ORDER CODE	MODEL NUMBER	DESCRIPTION
73201	LSU2406SU30DV40	LED UTILITY WRAP 2FT X 6.75IN 120-277V 30W 0-10V 4000K
73213	LSU2406SU30DV40EM	LED UTILITY WRAP 2FT X 6.75IN 120-277V 30W 0-10V 4000K W/ BBU
73209	LSU2406SU30DV40MS	LED UTILITY WRAP 2FT X 6.75IN 120-277V 30W 0-10V 4000K W/ MOTION SENSOR
73202	LSU2406SU30DV50	LED UTILITY WRAP 2FT X 6.75IN 120-277V 30W 0-10V 5000K
73214	LSU2406SU30DV50EM	LED UTILITY WRAP 2FT X 6.75IN 120-277V 30W 0-10V 5000K W/ BBU
73210	LSU2406SU30DV50MS	LED UTILITY WRAP 2FT X 6.75IN 120-277V 30W 0-10V 5000K W/ MOTION SENSOR
73700	LSU4806SU20DV40	LED UTILITY WRAP 4FT X 6.75IN 120-277V 20W 0-10V 4000K
73701	LSU4806SU20DV50	LED UTILITY WRAP 4FT X 6.75IN 120-277V 20W 0-10V 5000K
73761	LSU4806SU20DV40EM	LED UTILITY WRAP 4FT X 6.75IN 120-277V 20W 0-10V 4000K W/ BBU
73762	LSU4806SU20DV50EM	LED UTILITY WRAP 4FT X 6.75IN 120-277V 20W 0-10V 5000K W/ BBU
73763	LSU4806SU20DV40MS	LED UTILITY WRAP 4FT X 6.75IN 120-277V 20W 0-10V 4000K W/ MOTION SENSOR
73764	LSU4806SU20DV50MS	LED UTILITY WRAP 4FT X 6.75IN 120-277V 20W 0-10V 5000K W/ MOTION SENSOR
73249	LSU4806SU30DV40	LED UTILITY WRAP 4FT X 6.75IN 120-277V 30W 0-10V 4000K
73250	LSU4806SU30DV50	LED UTILITY WRAP 4FT X 6.75IN 120-277V 30W 0-10V 5000K
73261	LSU4806SU30DV40EM	LED UTILITY WRAP 4FT X 6.75IN 120-277V 30W 0-10V 4000K W/ BBU
73257	LSU4806SU30DV40MS	LED UTILITY WRAP 4FT X 6.75IN 120-277V 30W 0-10V 4000K W/ MOTION SENSOR
73262	LSU4806SU30DV50EM	LED UTILITY WRAP 4FT X 6.75IN 120-277V 30W 0-10V 5000K W/ BBU
73258	LSU4806SU30DV50MS	LED UTILITY WRAP 4FT X 6.75IN 120-277V 30W 0-10V 5000K W/ MOTION SENSOR
73345	LSU4806SU50DV40	LED UTILITY WRAP 4FT X 6.75IN 120-277V 50W 0-10V 4000K
73346	LSU4806SU50DV50	LED UTILITY WRAP 4FT X 6.75IN 120-277V 50W 0-10V 5000K
73357	LSU4806SU50DV40EM	LED UTILITY WRAP 4FT X 6.75IN 120-277V 50W 0-10V 4000K W/ BBU
73353	LSU4806SU50DV40MS	LED UTILITY WRAP 4FT X 6.75IN 120-277V 50W 0-10V 4000K W/ MOTION SENSOR
73358	LSU4806SU50DV50EM	LED UTILITY WRAP 4FT X 6.75IN 120-277V 50W 0-10V 5000K W/ BBU
73354	LSU4806SU50DV50MS	LED UTILITY WRAP 4FT X 6.75IN 120-277V 50W 0-10V 5000K W/ MOTION SENSOR

Please contact your MaxLite representative to order products that don't have order codes listed here.

COMPATIBLE DIMMERS:

MAKE	DIMMER MODEL
Lutron	NFTV0-10
Leviton	IP710 DL

LINE DRAWING:



PHOTOMETRICS:

