

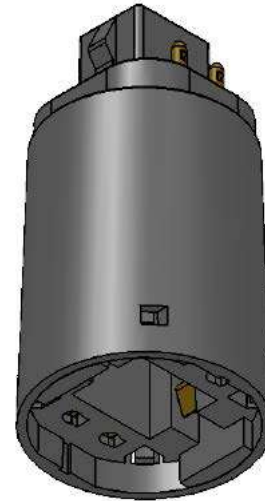
Universal Mounting Accessories for the Lunera CFL LED G24q (4-pin) Type B Lamp



Lunera CFL LED G24q Type B Accessory

Vertical Extender

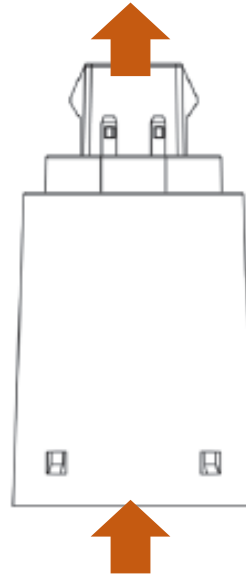
The Vertical Extender Accessory for the Lunera CFL LED G24q Type B lamp is designed to extend a vertically-oriented G24q socket, bring the Lunera CFL LED G24q Type B lamp closer to the downlight fixture opening.



Lunera CFL LED G24q Type B Accessory

Vertical Extender

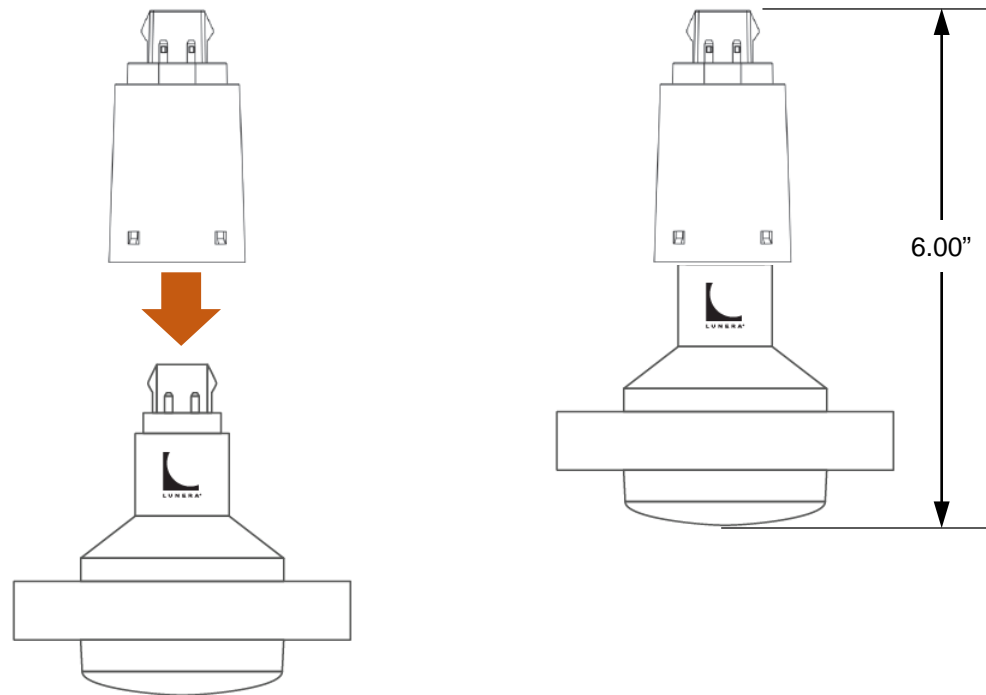
One end of the accessory is a male G24q 4-pin base which is inserted into the fixture's G24q 4-pin socket that has been re-wired direct to line voltage.



The other end of the accessory is a female G24q 4-pin socket into which the Lunera CFL LED G24q Type B lamp is installed.

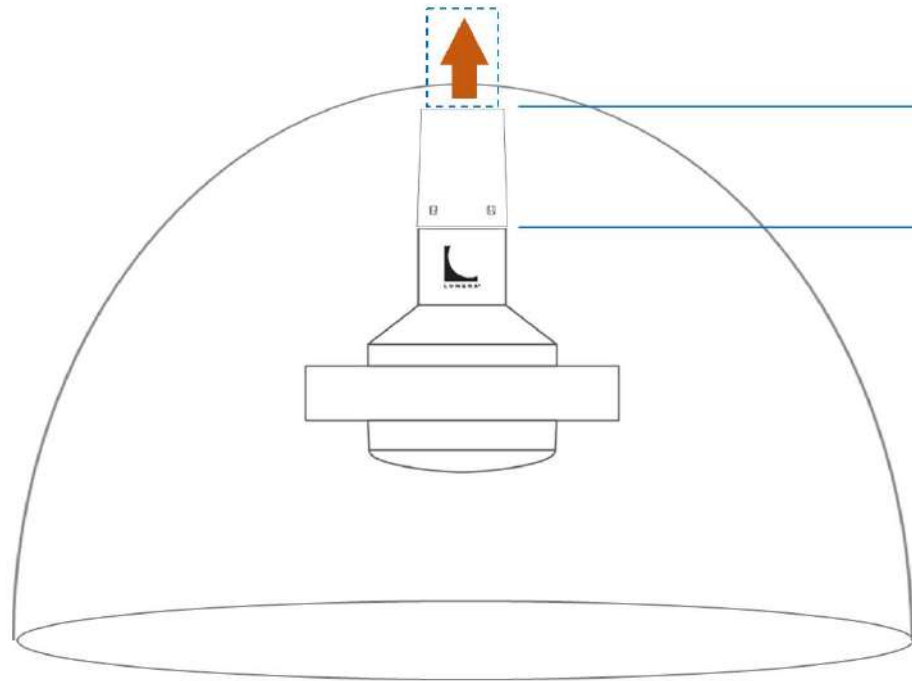
Lunera CFL LED G24q Type B Accessory

Vertical Extender



The extended CFL LED G24q Type B lamp will be approximately 6-inches in overall length (compared to 3.83" for just the lamp).

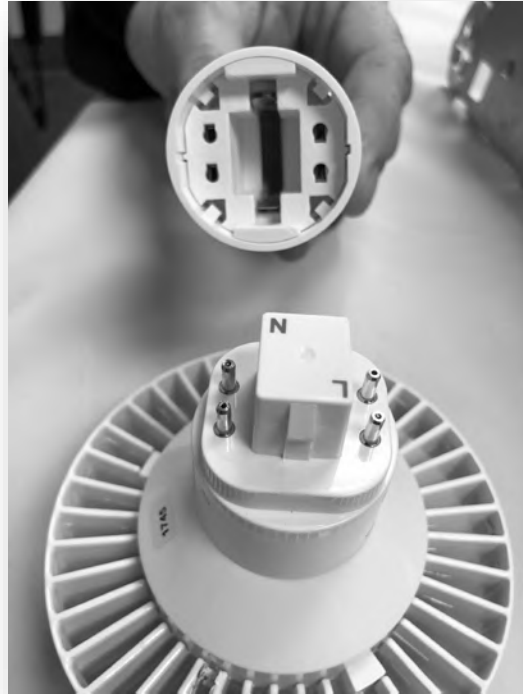
Lunera CFL LED G24q Type B Accessory Vertical Extender



The extended CFL LED G24q Type B lamp will be approximately 2.25 inches closer to the fixture opening.

Lunera CFL LED G24q Type B Accessory

Vertical Extender



- 1 Align the pins of the Lunera CFL LED G24q Type B lamp with the female socket of the Vertical Extender accessory.



- 2 Insert the lamp into the Vertical Extender until it is firmly seated.

Lunera CFL LED G24q Type B Accessory Vertical Extender



- 3** Insert the extended CFL LED G24q Type B lamp into the fixture's G24q socket.

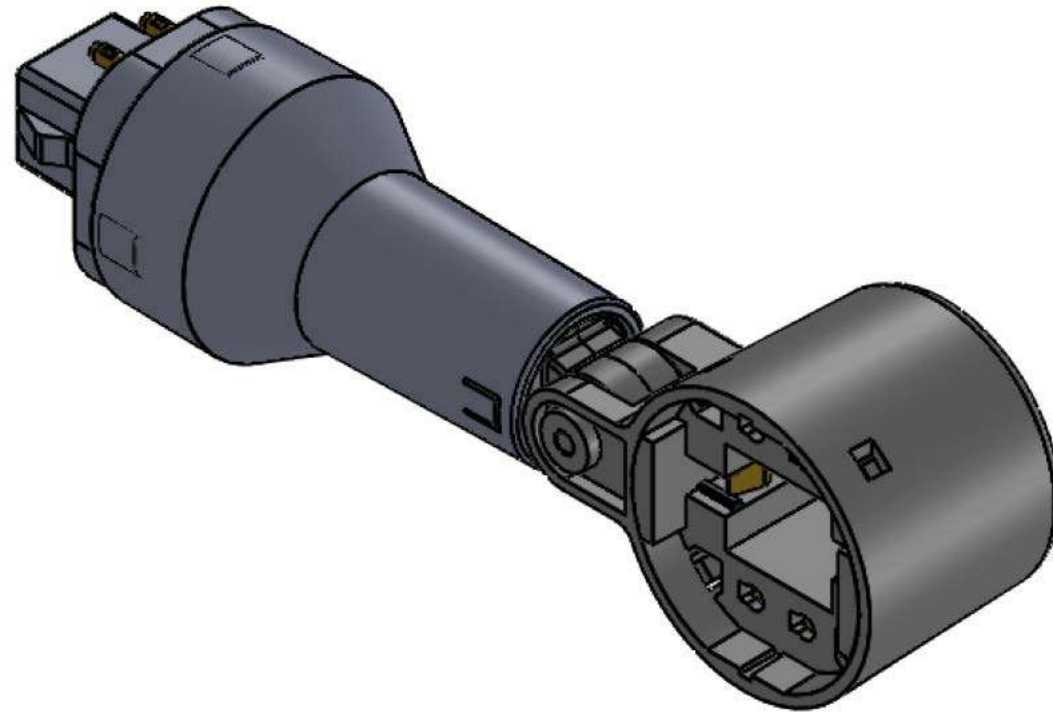


The Lunera CFL LED G24q Type B lamp has been installed in a single vertical socket fixture that has been connected to line voltage.

Lunera CFL LED G24q Type B Accessory

Articulated Telescoping Horizontal Extender

The Articulated Telescoping Horizontal Extender Accessory for the Lunera CFL LED G24q Type B lamp is designed to convert a horizontal G24q socket into a vertical G24q socket, and center the lamp vertically and horizontally in the downlight reflector.

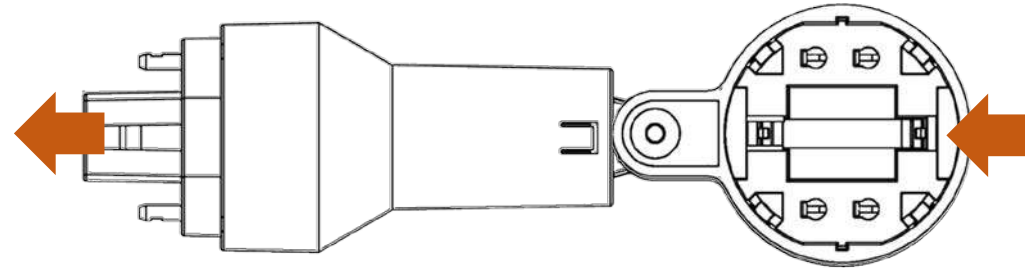


Lunera CFL LED G24q Type B Accessory

Articulated Telescoping Horizontal Extender

One end of the accessory is a male G24q 4-pin base which is inserted into the fixture's G24q 4-pin socket that has been re-wired direct to line voltage.

If there are two sockets, the unused socket is disconnected.

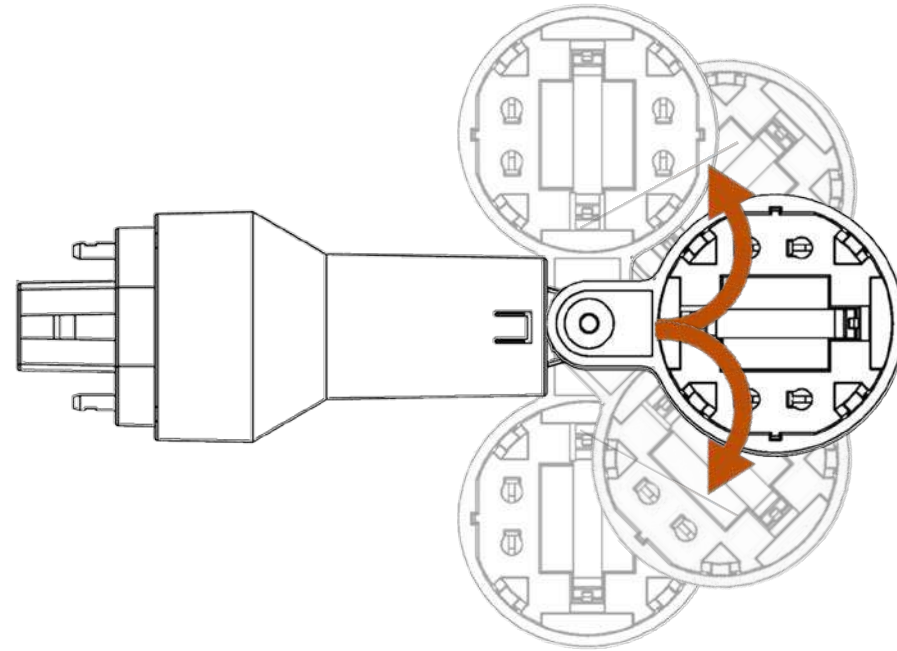


The other end of the accessory is a female G24q 4-pin socket into which the Lunera CFL LED G24q Type B lamp is installed.

Lunera CFL LED G24q Type B Accessory

Articulated Telescoping Horizontal Extender

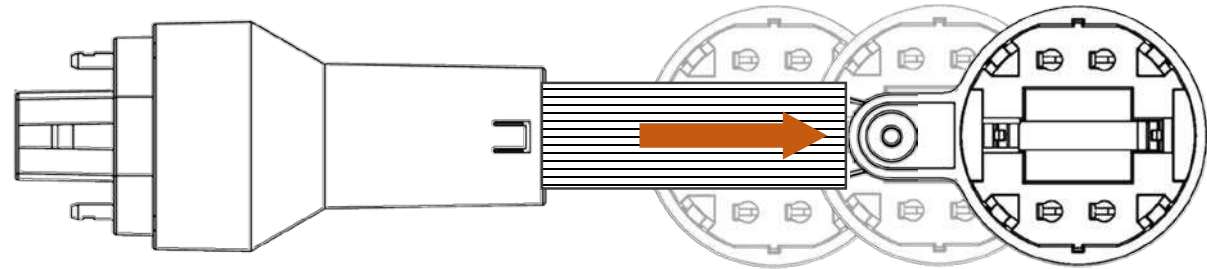
The female end of the accessory which receives the Lunera CFL LED Type B lamp swivels 90 degrees in either direction.



Lunera CFL LED G24q Type B Accessory

Articulated Telescoping Horizontal Extender

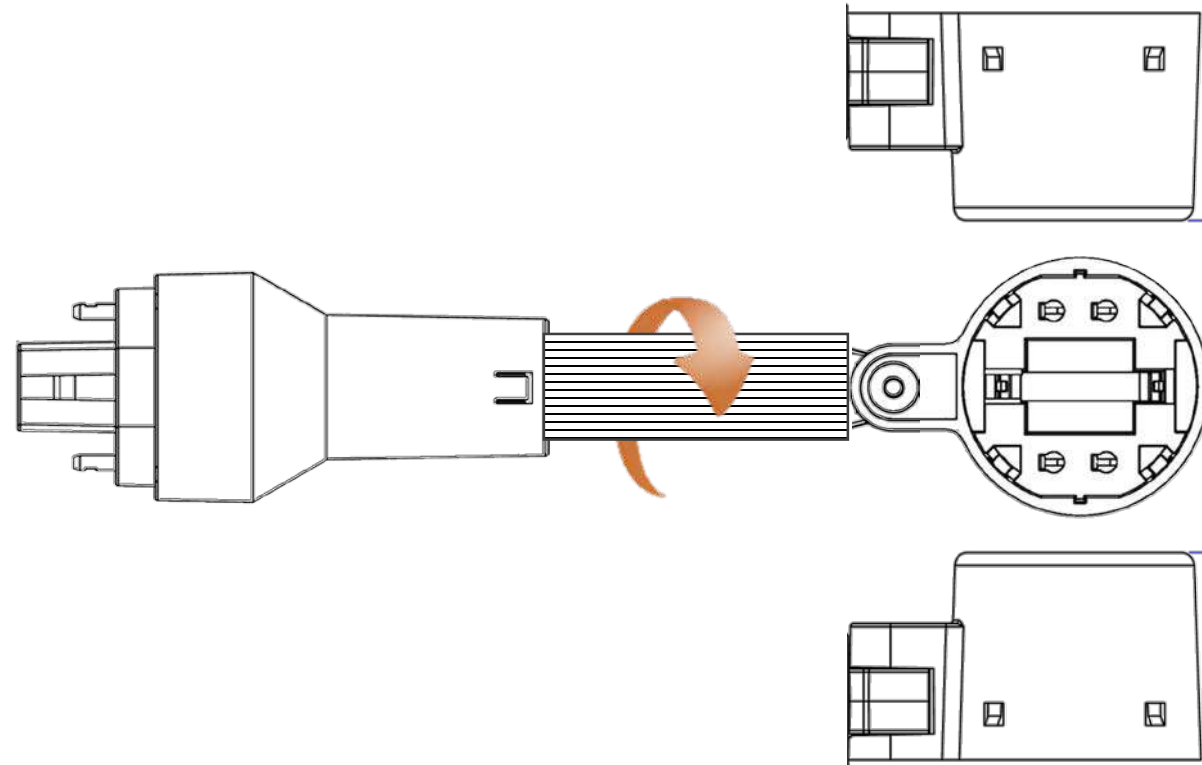
The stem connecting the male G24q base end of the accessory to the female G24q socket end telescopes out.



Lunera CFL LED G24q Type B Accessory

Articulated Telescoping Horizontal Extender

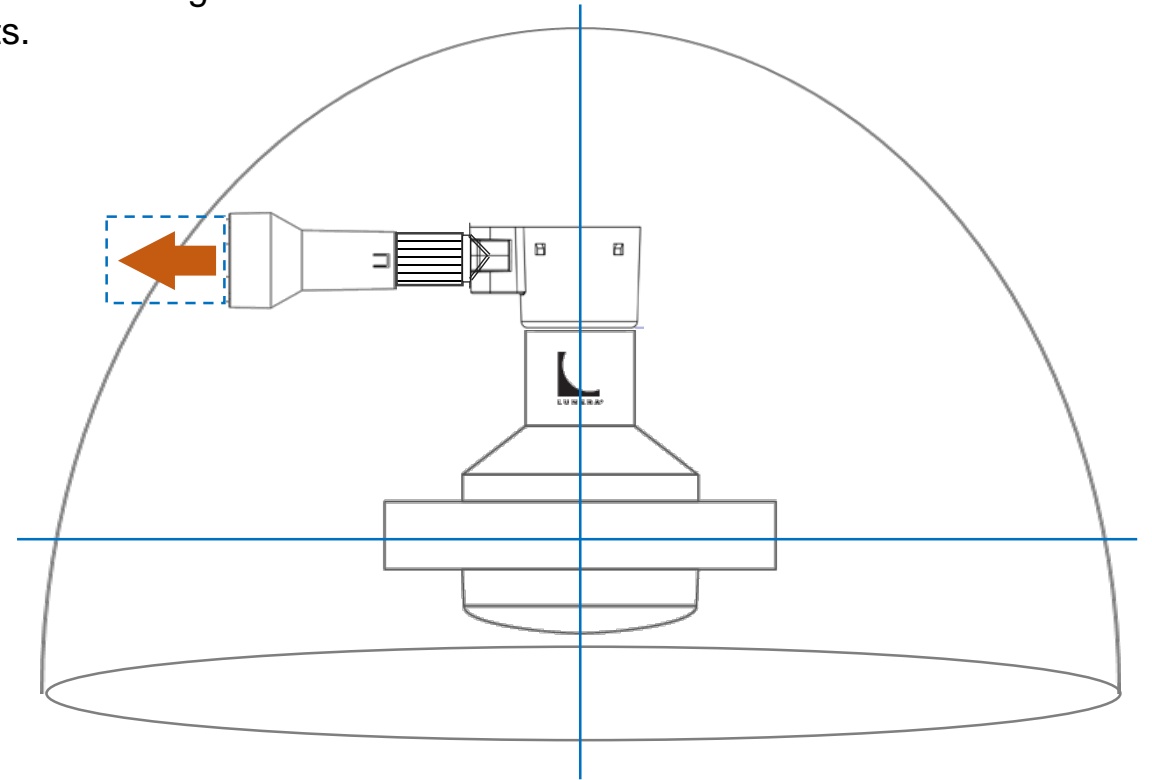
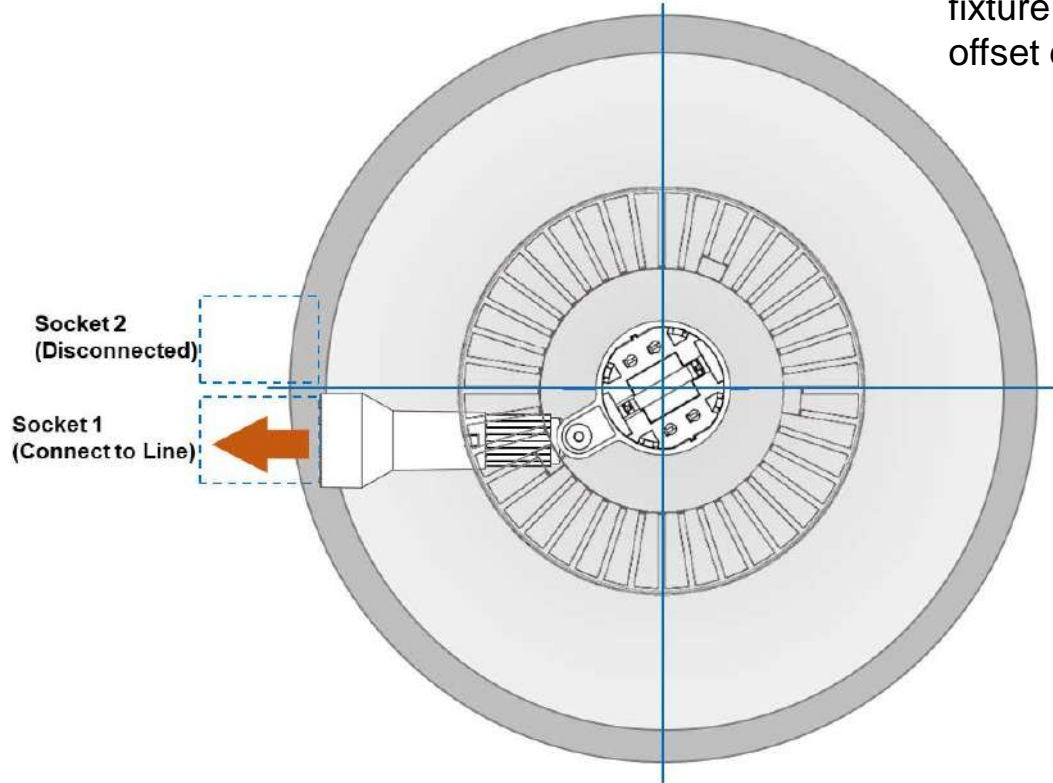
The stem connecting the male G24q base end of the accessory to the female G24q socket end also rotates 360° on its axis.



Lunera CFL LED G24q Type B Accessory

Articulated Telescoping Horizontal Extender

This triple axis articulation allow the extended socket and the Lunera CFL LED G24q Type B lamp to be centered and leveled within the fixture, whether there is a single or offset dual sockets.



Lunera CFL LED G24q Type B Accessory

Articulated Telescoping Horizontal Extender



- 1 Align the pins of the Lunera CFL LED G24q Type B lamp with the female socket of the Vertical Extender accessory.

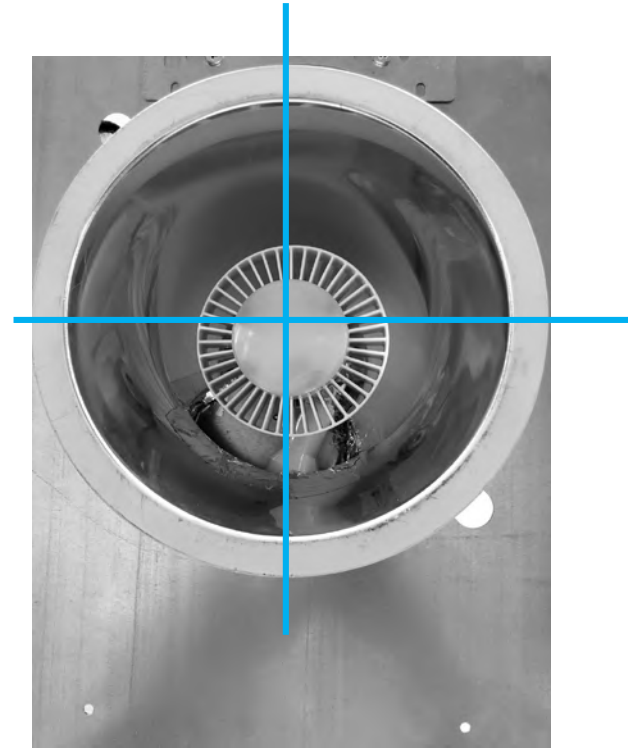
- 2 Insert the lamp into the Vertical Extender until it is firmly seated.

Lunera CFL LED G24q Type B Accessory

Articulated Telescoping Horizontal Extender



- 3** Insert the extended CFL LED G24q Type B lamp into the fixture's G24q socket.



- 4** The Lunera CFL LED G24q Type B lamp has been installed in a single or dual horizontal socket fixture that has been connected to line voltage and with the lamp now oriented down, but yet centered in the fixture.

Lunera CFL LED G24q Type B Accessory Articulated Telescoping Horizontal Extender

Using the socket adaptor to position the lamp in the fixture (lamp removed for visibility)



The socket adaptor accessory is installed in one of two G24q horizontal socket, which would result in an off-center lamp installation.



The swivel head is used to center the male G24q socket extender in the fixture.



The articulated extension arm is used to extend and rotate the male G24q socket to further center it in the fixture.

For more information on these Lunera products, visit
www.lunera.com

