

LED TROFFER FIXTURE



2' X 2'



2' X 4'

This Led Troffer fixture adopts the latest in optical and LED technology, maximizes value as an energy efficient alternative to recessed T8 fluorescent fixture.

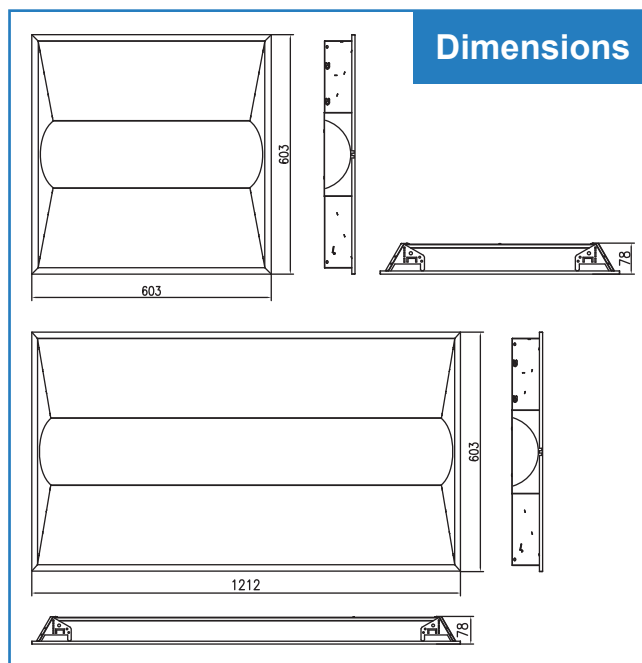
Fully assembly fixtures looks seamless and creates the impression of solid construction after installation.

Comfortable and evenly distributed light eliminates shadows and ensure glare-free ambiance.

The fixture is perfect for office, school, hospital and any commercial applications .

Specification:

- Available in 2'*2' 26W and 2'*4' 36W for recessed installation.
- Built-in earthquake clips for safety.
- Fits into 5/8 th, 3/8 th and slot T standard T-bar sizes.
- Frosted extruded acrylic lens delivers comfortable and even light.
- White powder coated steel housing improves the efficacy of the fixtures.
- High quality constant –current driver rated for 50 to 60Hz at 120-277V input.
- 1-10V Dimmable.
- 50,000 hours rated life.
- 80+ CRI provides quality and consistent color rendering.
- Available in multiple CCTS :3500K,4000K and 5000K.
- NO Mercury ,Rohs Compliant.
- UL and cUL listed for dry locations ,DLC qualified.
- Fixtures can be shipped pre-installed with emergency power pack.



ORDERING GUIDE Example: 22TR35W35KUNV10VEMB

Fixture Size	Watts	CCT	Voltage	Control	Options
22TR	26W	35K	UNV	10V	EMB
22TR 2' X 2'	26W 26W, 3275 Lumens-125 LPW	35K 3500K 40K 4000K	UNV 120-277 Volt	10V 1-10V Dimming 10%	EMB Emergency Battery Backup
24TR 2' X 4'	36W 36W, 4280 Lumens-118 LPW	50K 5000K			

PERFORMANCE INFORMATION

Fixture Size	Watt	Product Code	Voltage	CCT	CRI	Lumen Output	Useful Life*	Beam Spread	Dimmable
2' X 2'	26	22TR26W35KUNV10V	120-277V	35K	82	3275	50000	120 °	1-10V
	26	22TR26W40KUNV10V	120-277V	40K	82	3275	50000	120 °	1-10V
	26	22TR26W50KUNV10V	120-277V	50K	82	3275	50000	120 °	1-10V
2' X 4'	36	24TR36W35KUNV10V	120-277V	35K	82	4280	50000	120 °	1-10V
	36	24TR36W40KUNV10V	120-277V	40K	82	4280	50000	120 °	1-10V
	36	24TR36W50KUNV10V	120-277V	50K	82	4280	50000	120 °	1-10V

