

# LED TROFFER FIXTURE



**2' X 2'**



**2' X 4'**

This Led Troffer fixture adopts the latest in optical and LED technology, maximizes value as an energy efficient alternative to recessed T8 fluorescent fixture.

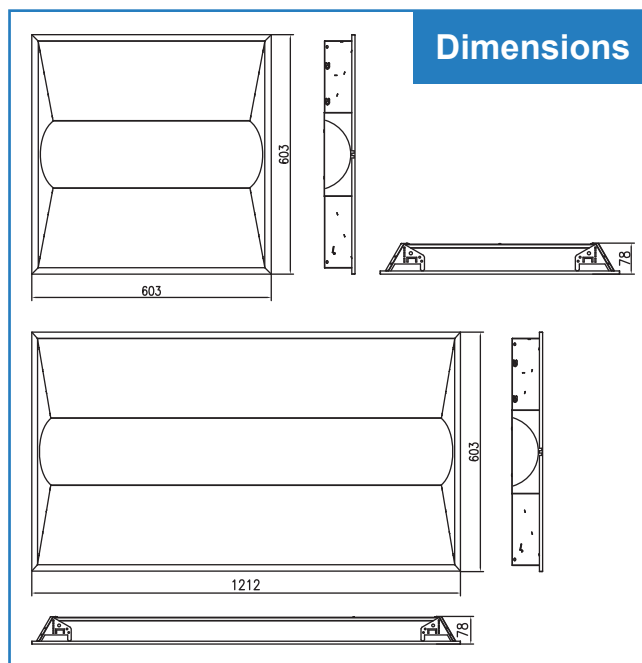
Fully assembly fixtures looks seamless and creates the impression of solid construction after installation.

Comfortable and evenly distributed light eliminates shadows and ensure glare-free ambiance.

The fixture is perfect for office, school, hospital and any commercial applications .

### Specification:

- Available in 2'\*2' 26W and 2'\*4' 36W for recessed installation.
- Built-in earthquake clips for safety.
- Fits into 5/8 th, 3/8 th and slot T standard T-bar sizes.
- Frosted extruded acrylic lens delivers comfortable and even light.
- White powder coated steel housing improves the efficacy of the fixtures.
- High quality constant –current driver rated for 50 to 60Hz at 120-277V input.
- 1-10V Dimmable.
- 50,000 hours rated life.
- 80+ CRI provides quality and consistent color rendering.
- Available in multiple CCTS :3500K,4000K and 5000K.
- NO Mercury ,Rohs Compliant.
- UL and cUL listed for dry locations ,DLC qualified.
- Fixtures can be shipped pre-installed with emergency power pack.



## ORDERING GUIDE Example: 22TR35W35KUNV10VEMB

Fixture Size	Watts	CCT	Voltage	Control	Options
<b>22TR</b>	<b>26W</b>	<b>35K</b>	<b>UNV</b>	<b>10V</b>	<b>EMB</b>
<b>22TR</b> 2' X 2'	<b>26W</b> 26W, 3275 Lumens-125 LPW	<b>35K</b> 3500K <b>40K</b> 4000K	<b>UNV</b> 120-277 Volt	<b>10V</b> 1-10V Dimming 10%	<b>EMB</b> Emergency Battery Backup
<b>24TR</b> 2' X 4'	<b>36W</b> 36W, 4280 Lumens-118 LPW	<b>50K</b> 5000K			

### PERFORMANCE INFORMATION

Fixture Size	Watt	Product Code	Voltage	CCT	CRI	Lumen Output	Useful Life*	Beam Spread	Dimmable
<b>2' X 2'</b>	26	22TR26W35KUNV10V	120-277V	35K	82	3275	50000	120 °	1-10V
	26	22TR26W40KUNV10V	120-277V	40K	82	3275	50000	120 °	1-10V
	26	22TR26W50KUNV10V	120-277V	50K	82	3275	50000	120 °	1-10V
<b>2' X 4'</b>	36	24TR36W35KUNV10V	120-277V	35K	82	4280	50000	120 °	1-10V
	36	24TR36W40KUNV10V	120-277V	40K	82	4280	50000	120 °	1-10V
	36	24TR36W50KUNV10V	120-277V	50K	82	4280	50000	120 °	1-10V

# PHOTOMETRY DATA

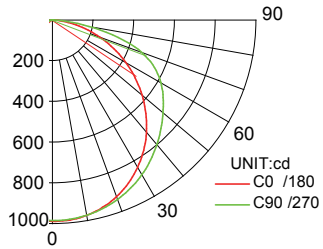
22TR26W40KUNV10V

WATTAGE: 26W

LUMENS: 3275

TOTAL LUMINAIRE EFFICACY: 90

Candle Power Distribution (Candelas)



AVERAGE BEAM ANGLE(50%):123.9 DEG

Spacing Criteria

0-180 : 1.23  
90-270 : 1.33

**EFFICACY: 125LM/W**

Zonal Lumens Summary

Y	φ zone	φ t ot al	%
0- 10	93.32	93.32	2.99
10- 20	268.5	361.8	11.61
20- 30	410.7	772.6	24.78
30- 40	502.8	1275	40.91
40- 50	535.3	1811	58.08
50- 60	511.6	2322	74.49
60- 70	437.5	2760	88.53
70- 80	287.4	3047	97.75
80- 90	67.01	3114	99.90
90- 100	0.2694	3114	99.91
100- 110	0.3548	3115	99.92
110- 120	0.4435	3115	99.93
120- 130	0.5087	3116	99.95
130- 140	0.5093	3116	99.96
140- 150	0.4694	3117	99.98
150- 160	0.3685	3117	99.99
160- 170	0.2281	3117	100.00
170- 180	0.0677	3117	100.00

Luminance Data (cd/sq.m)

G(DEG)	C0/180	C90/270
85	744	1990
80	1356	3173
75	1708	3767
70	1933	3846
65	2086	3642
60	2205	3415
55	2298	3209
50	2382	3061
45	2454	2960

Candela Tabulation

Y	C0	C45	C90
10	965.2	967.3	972.8
20	906.5	918.7	936.4
30	814.6	841.3	877.1
40	693.8	739.1	796.9
50	551.1	618.7	708.2
60	397.0	495.0	614.8
70	238.1	369.1	473.5
80	84.75	184.6	198.4
90	0.1809	0.2464	0.4796

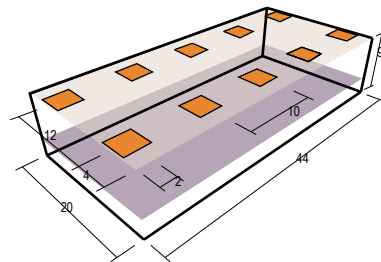
Coefficients of Utilization - Zonal Cavity Method

Effective Floor Cavity Reflectance 20% = PF

Pcc	80%			70%			50%			30%			10%			0															
Pw	50%	30%	10%	50%	30%	10%	50%	30%	10%	50%	30%	10%	50%	30%	10%	0															
Pfc	20%															0															
RCR	RCR:Room Cavity Ratio															Coefficients of Utilization(CU)															
0.0	1.19	1.19	1.19	1.16	1.16	1.16	1.11	1.11	1.11	1.06	1.06	1.06	1.02	1.02	1.02	.00															
1.0	1.03	.98	.94	1.01	.96	.93	.96	.93	.90	.92	.89	.87	.89	.86	.84	.82															
2.0	.89	.82	.75	.87	.80	.74	.83	.78	.73	.80	.75	.71	.77	.73	.69	.67															
3.0	.77	.69	.62	.76	.68	.61	.73	.66	.60	.70	.64	.59	.67	.62	.58	.56															
4.0	.68	.59	.52	.67	.58	.52	.64	.57	.51	.62	.55	.50	.60	.54	.49	.47															
5.0	.61	.51	.44	.59	.51	.44	.57	.50	.44	.55	.48	.43	.53	.47	.43	.40															
6.0	.54	.45	.38	.53	.45	.38	.52	.44	.38	.50	.43	.38	.48	.42	.37	.35															
7.0	.49	.40	.34	.48	.40	.34	.47	.39	.33	.45	.38	.33	.44	.38	.33	.31															
8.0	.45	.36	.30	.44	.36	.30	.43	.35	.30	.41	.35	.30	.40	.34	.29	.27															
9.0	.41	.33	.27	.40	.32	.27	.39	.32	.27	.38	.31	.27	.37	.31	.26	.25															
10.0	.38	.30	.24	.37	.30	.24	.36	.29	.24	.35	.29	.24	.34	.28	.24	.22															

RC - Ceiling Cavity Reflectance

RW - Wall Reflectance



## Results

20' Width X 44' Length X 9' Height		2.5' WORKPLANE, LLF: 0.9			
Spacing	Average FC	No. of Luminaires	(LPD) w/ft2	Avg/Min	Max/Min
8' X 8'	54.11	12	0.443	1.90	2.69
8' X 10'	53.03	12	0.443	1.55	2.13
10' X 10'	39.58	10	0.443	1.50	2.43
10' X 10'	38.31	10	0.443	1.36	2.26

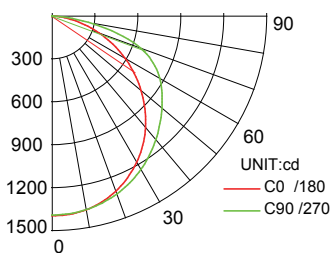
24TR36W40KUNV10V

WATTAGE: 36W

LUMENS: 4280

TOTAL LUMINAIRE EFFICACY: 100

Candle Power Distribution (Candelas)



AVERAGE BEAM ANGLE(50%):123.9 DEG

Spacing Criteria

0-180 : 1.34  
90-270 : 1.24

**EFFICACY: 118LM/W**

Zonal Lumens Summary

Y	φ zone	φ t ot al	%
0- 10	131.7	131.7	2.99
10- 20	378.9	510.6	11.61
20- 30	579.6	1090	24.78
30- 40	709.5	1800	40.91
40- 50	755.5	2555	58.08
50- 60	721.9	3277	74.49
60- 70	617.4	3895	88.53
70- 80	405.6	4300	97.75
80- 90	94.56	4395	99.90
90- 100	0.3802	4395	99.91
100- 110	0.5007	4396	99.92
110- 120	0.6258	4396	99.93
120- 130	0.7179	4397	99.95
130- 140	0.7187	4398	99.96
140- 150	0.6624	4398	99.98
150- 160	0.5200	4399	99.99
160- 170	0.3219	4399	100.00
170- 180	0.0955	4399	100.00

Luminance Data (cd/sq.m)

G(DEG)	C0/180	C90/270
85	525	1404
80	957	2239
75	1205	2658
70	1364	2714
65	1472	2570
60	1556	2410
55	1621	2265
50	1681	2159
45	1731	2088

Candela Tabulation

Y	C0	C45	C90
10	1362	1365	1373
20	1279	1296	1321
30	1150	1187	1238
40	979.1	1043	1125
50	777.8	873.2	999.4
60	560.2	698.6	867.6
70	335.9	520.9	668.3
80	119.6	260.4	279.9
90	0.2553	0.3477	0.6768

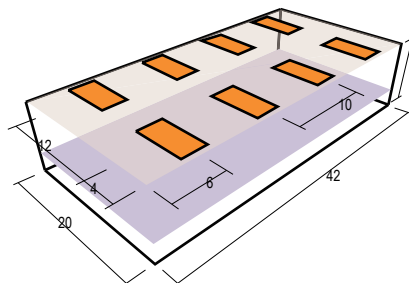
Coefficients of Utilization - Zonal Cavity Method

Effective Floor Cavity Reflectance 20% = PF

Pcc	80%			70%			50%			30%			10%			0															
Pw	50%	30%	10%	50%	30%	10%	50%	30%	10%	50%	30%	10%	50%	30%	10%	0															
Pfc	20%															0															
RCR	RCR:Room Cavity Ratio															Coefficients of Utilization(CU)															
0.0	1.19	1.19	1.19	1.16	1.16	1.16	1.11	1.11	1.11	1.06	1.06	1.06	1.02	1.02	1.02	.00															
1.0	1.03	.98	.94	1.01	.96	.93	.96	.93	.90	.92	.89	.87	.89	.86	.84	.82															
2.0	.89	.82	.75	.87	.80	.74	.83	.78	.73	.80	.75	.71	.77	.73	.69	.67															
3.0	.77	.69	.62	.76	.68	.61	.73	.66	.60	.70	.64	.59	.67	.62	.58	.56															
4.0	.68	.59	.52	.67	.58	.52	.64	.57	.51	.62	.55	.50	.60	.54	.49	.47															
5.0	.61	.51	.44	.59	.51	.44	.57	.50	.44	.55	.48	.43	.53	.47	.43	.40															
6.0	.54	.45	.38	.53	.45	.38	.52	.44	.38	.50	.43	.38	.48	.42	.37	.35															
7.0	.49	.40	.34	.48	.40	.34	.47	.39	.33	.45	.38	.33	.44	.38	.33	.31															
8.0	.45	.36	.30	.44	.36	.30	.43	.35	.30	.41	.35	.30	.40	.34	.29	.27															
9.0	.41	.33	.27	.40	.32	.27	.39	.32	.27	.38	.31	.27	.37	.31	.26	.25															
10.0	.38	.30	.24	.37	.30	.24	.36	.29	.24	.35	.29	.24	.34	.28	.24	.22															

RC - Ceiling Cavity Reflectance

RW - Wall Reflectance



## Results

20' Width X 42' Length X 9' Height		2.5' WORKPLANE, LLF: 0.9			
Spacing	Average FC	No. of Luminaires	(LPD) w/ft2	Avg/Min	Max/Min
8' X 8'	67.57	10	0.506	1.71	2.31
8' X 10'	66.89	10	0.506	1.42	1.90
10' X 10'	57.80	8	0.506	1.55	2.13
10' X 10'	55.57	8	0.506	1.45	2.05