



MASTERColor® CDM-Rm Elite Mini

MASTERColor® CDM-Rm Elite Mini 20W/830 GX10 MR16 25D

The Elite family is at the very top of the MasterColor CDM range, and gives a unique combination of unbeatable light quality and consistent performance over lifetime, while keeping running costs low. The MasterColor DCM Elite MR16 combines the familiar compact shape of MR16 halogen lamps with the performance of ceramic metal halide MasterColor Elite lamps. Suited for accent/decorative lighting, general lighting and downlighting in retail applications; or for outdoor landscaping and architectural effects.

Product data

• General Characteristics

Base	GX10
Bulb	MR16 [MR 16inch/50mm]
Bulb Finish	-
Operating Position	Universal [Any or Universal (U)]
Life to 5% failures	9000 hr
Life to 10% failures	10000 hr
Life to 20% failures	12000 hr
RatedAvgLife(See Family Notes)	15000 hr

• Light Technical Characteristics

Beam Description	-
Beam Angle	25 D
Beam Angle Technical	16.5 (min), 22 (nom), 27.5 (max) D
Approx. MBCP	4500 cd
Color Code	830 [CCT of 3000K]
Color Rendering Index	81 (min), 84 (nom) Ra8
Color Temperature	3000 K
Color Temperature technical	3000 K
Chromaticity Coordinate X	0.440 -
Chromaticity Coordinate Y	0.400 -
Forward Luminous Output	945 (min), 1050 (nom) Lm
Forward Lum Maintenance 2000h	92 %
Forward Lum Maintenance 4000h	85 %
Forward Lum Maintenance 8000h	78 %

Forward Lum Maintenance 12000h	75 %
Forward Lum Maintenance 15000h	70 %
Forward Luminous Efficacy	53 Lm/W
Design Mean Lumens EL	850 Lm

• Electrical Characteristics

System Power EL	23.5 W
Watts	20 W
Lamp Wattage EL	20 W
Lamp Voltage	93 V
Lamp Current EL	0.215 A
Ignition Time	30 (max) s
Run-up time 90%	3 (max) min
Re-ignition Time [min]	15 (max) min
Dimmable	No

• Environmental Characteristics

Mercury (Hg) Content	3.35 mg
----------------------	---------

• UV-related Characteristics

Damage Factor D/fc PET (NIOSH)	0.5 (max) - 8 (min) h500lx
--------------------------------	----------------------------

• Luminaire Design Requirements

Reflector Neck Temperature	215 (max) C
----------------------------	-------------



PHILIPS

sense and simplicity

MASTERColor® CDM-Rm Elite Mini

• Product Dimensions

Reference Length A	59 (max) mm
Overall Length C	65.4 (max) mm
Overall Length Rim C1	60.9 (max) mm
Diameter D	50 (nom), 50.7 (max) mm

• Product Data

Product number	421669
Full product name	MASTERColor® CDM-Rm Elite Mini 20W/830 GX10 MR16 25D

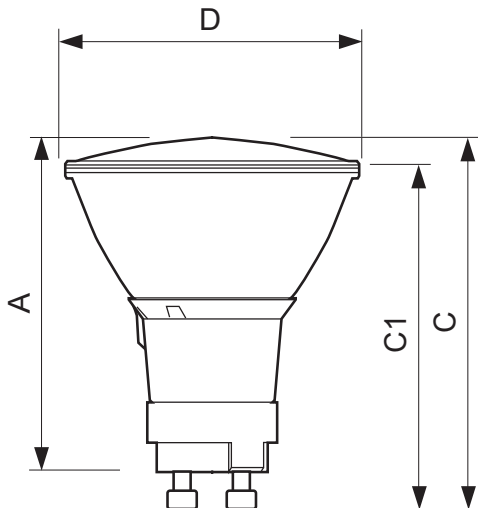
Short product name	CDM-Rm Elite Mini 20W/830 GX10 MR16 25D
Pieces per Sku	1
eop_pck_cfg	12
Skus/Case	12
Bar code on pack	46677421663
Bar code on case	50046677421668
Logistics code(s)	928191105318
tpd_ilcos_cd	MRS/UB-20/30/1B-H-GX10
eop_net_weight_pp	0.047 kg

Warnings and Safety

- R "WARNING: These lamps can cause serious skin burn and eye inflammation from short wave ultraviolet radiation if outer envelope of the lamp is broken or punctured. Do not use where people will

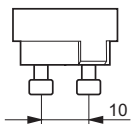
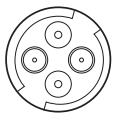
remain for more than a few minutes unless adequate shielding or other safety precautions are used. Certain lamps that will automatically extinguish when the outer envelope is broken or punctured are commercially available." This lamp complies with FDA radiation performance standard 21 CFR subchapter J. (USA:21 CFR 1040.30 Canada: SOR/DORS/80-381)

Dimensional drawing



CDM-Rm, GX10, MR16

Product	A (Max)	C (Norm)	C (Max)	C1 (Max)	D (Norm)	D (Max)
CDM-Rm 20W/830 GX10 MR16 25D	59	-	65.4	60.9	50	50.7



GX10

Photometric data

