




LED T5 – INSTALLATION INSTRUCTIONS

Products covered by this instruction guide¹:

- LED F28T5HE
- LED F54T5HO

	IMPORTANT SAFETY INSTRUCTIONS DANGER – RISK OF SHOCK-DISCONNECT POWER BEFORE INSTALLATION
---	---

The retrofit kit includes one (1) LED tube, one (1) installation instruction, and one (1) field-applied label.

The products are intended to be used in dry and damp locations only.

The T5 LED tubes are intended to retrofit surface mount, Type IC or non-IC recessed mount Listed fluorescent luminaires that used maximum 6-straight tubular lamps with or without a diffuser, the minimum dimensions of luminaires are tabulated below:

ELECTRICAL RATINGS:

Model Number	Input Ratings				Nominal Length (FT)
	Voltage (V)	Frequency (Hz)	Current (mA)	Wattage (W)	
LBP5F13xxA	120-277V	50/60Hz	115mA	13W	4FT
LBP5F23xxA1	120-277V	50/60Hz	205mA	23W	4FT
LBP5F25xxA1	120-277V	50/60Hz	215mA	25W	4FT

Model Number	Minimum Lamp Compartment Dimensions		
	Lamp Compartment of Luminaire (L x W x H)	Maximum Lamps in Luminaire	Lamp Holder-to-Lamp Holder Spacing (in)
LBP5F13xxA	2.1 x 1.5 x 0.3	6	1.38in
LBP5F23xxA1	3.1 x 1.5 x 0.3	6	1.38in
LBP5F25xxA1	4.0 x 1.5 x 0.3	6	1.38in

THIS PRODUCT MUST BE INSTALLED IN ACORDANCE WITH THE APPLICABLE INSTALLTION CODE BY A PERSON FAMILIAR WITH THE CONSTRUCTION AND OPERATION OF THE PRODUCT AND THE HAZARDS INVOLVED.

WARNING – Risk of fire or electric shock. The electrical rating of these products are 120-277Vac or 277Vac as “ELECTRICAL RATINGS” table above, the installer must determine whether they have 120-277Vac or 277Vac at the luminaire before installation.

WARNING – Risk of fire or electric shock. LED Retrofit Kit installation requires knowledge of luminaires electrical systems. If not qualified, do not attempt installation. Contact a qualified electrician.

¹ NOTE: Specifications are subject to change without notice.



LED T5 – INSTALLATION INSTRUCTIONS

WARNING – Risk of fire or electric shock. Install this kit only in the luminaires that have the construction features and dimensions shown in the photographs and/or drawings and where the input rating of the retrofit kit does not exceed the input rating of the luminaire.

Do not make or alter any open holes in an enclosure of wiring or electrical components during kit installation.

WARNING – To prevent wiring damage or abrasion, do not expose wiring to edges of sheet metal or other sharp objects.

WARNING – To avoid potential fire or shock hazard, do not use this retrofit kit in luminaires employing shunted bi-pin lamp holders. Note: Shunted lamp holders are found only in fluorescent luminaires with Instant-Start ballasts.

Instant-start ballasts can be identified by the words “Instant Start” or “I.S.” marked on the ballast. This designation may be in the form of a statement pertaining to the ballast itself, or may be combined with the marking for the lamps with which the ballast is intended to be used, for example F40T12/IS. For more information, contact the LED luminaire retrofit kit manufacturer.

Installers should not disconnect existing wires from lamp holder terminals to make new connections at lamp holder terminals. Instead installers should cut existing lamp holder leads away from the lamp holder and make new electrical connections to lamp holder lead wires by employing applicable connectors.

THIS RETROFIT KIT IS ACCEPTED AS A COMPONENT OF A LUMINAIRE WHERE THE SUITABILITY OF THE COMBINATION SHALL BE DETERMINED BY AUTHORITIES HAVING JURISDICTION.

DO NOT USE WITH DIMMERS.

RISK OF ELECTRIC SHOCK – USE IN DRY AND DAMP LOCATION ONLY.

THIS DEVICE IS NOT INTENDED FOR USE WITH EMERGENCY EXITS.

	RETROFIT FLUORESCENT LUMINAIRE WITH ELECTRIC BALLAST
---	---

STEP 1: Shut OFF power work.

STEP 2: Remove existing fluorescent tube(s) and diffuser (if applicable) and open the ballast cover.

STEP 3: Disconnect luminaire supply wirings **L** and **N** to branch circuit as shown in Figure 1.



LED T5 – INSTALLATION INSTRUCTIONS



Figure 1

STEP 4: Original circuit as shown in Figure 2. Cut lamp holder leads “1, 2, 3, 4”, then connect one lead from each lamp holder to branch circuit as follows, “Leads 1 and 4” connected to L; “Leads 2 and 3” connected to N as shown in Figure 3. Cut as far away from the lamp holders to allow for longer lengths of wire at both lamp holders.

Note: Ballast must be retained in place.

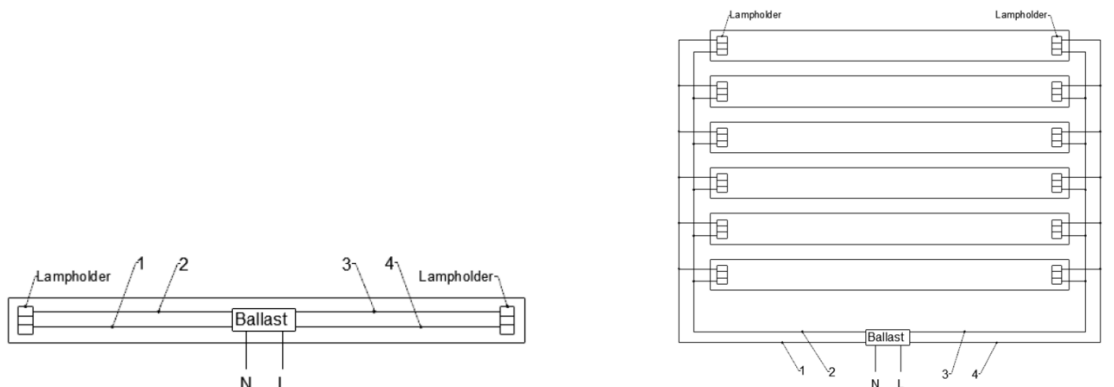


Figure 2

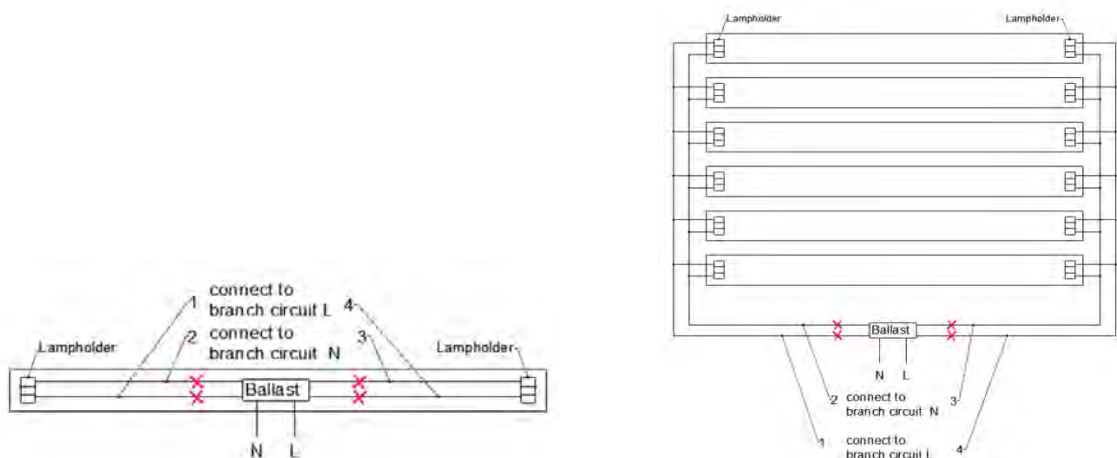


Figure 3

STEP 5: Attach the field applied label to the luminaire. Install ballast cover and diffuser (if applicable) back on the luminaire, and LED tube as shown in Figure 4.



LED T5 – INSTALLATION INSTRUCTIONS

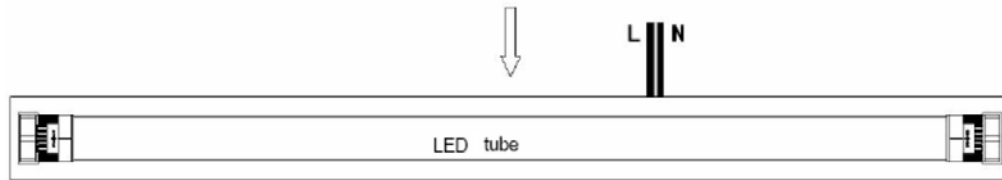


Figure 4

STEP 6: Turn ON the AC power source, LIFEBULB tube will light up.

SERVICE CONTACT:

Archipelago Lighting, Inc. | Technical Support | (866) 912-3220 | technical@archipelagolighting.com