

# SNAP SYSTEM ACCESSORIES

## SMALL (2")

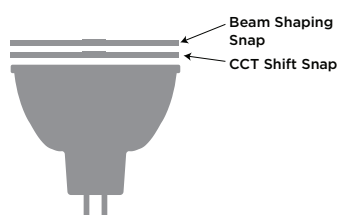


### DESCRIPTION

The award winning Soraa SNAP SYSTEM™ is the first LED lamp/accessory solution that is optimized to work as an integrated system. Based on high brightness single source GaN on GaN™ LED technology, it completely redefines accessory application. The effects that can be achieved are similar to what can be done with halogen sources, but are enabled by a relatively low operating temperature and ground-breaking optical design, materials, and methods of attachment.

### STACKING ACCESSORIES

SNAP SYSTEM accessories can be stacked in combination. For example, a beam spreader can be used in combination with CCT shifter. When combining the beam shaping Snap accessory with CCT shifting Snap Accessory, for best results always place CCT shifting Snap on the lamp first, as shown in diagram below.



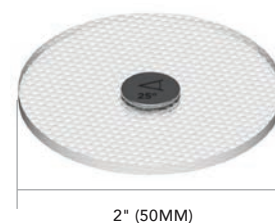
### ATTACHMENT

The SNAP SYSTEM's self-centering magnetic interconnect system makes using accessories completely user friendly. Simply attached the SNAP SYSTEM accessory directly to any Narrow Spot Soraa lamp, the magnetic force from both the accessory and lamp will securely attached to one another and center itself.

### COMPATIBILITY

The SNAP SYSTEM accessories Small (2") are compatible with the lamps and Optical Light Engines outlined below. The SNAP SYSTEM are only compatible with SORAA Narrow Spot lamps and Optical Light Engines. See each accessory data for exact diameter.

| Small (2") |
|------------|
| MR16       |
| GU10       |
| PAR20      |
| OLE/C 16   |



### PHOTOMETRICS

IES files and photometric data of accessories is available for download at [www.soraa.com](http://www.soraa.com)

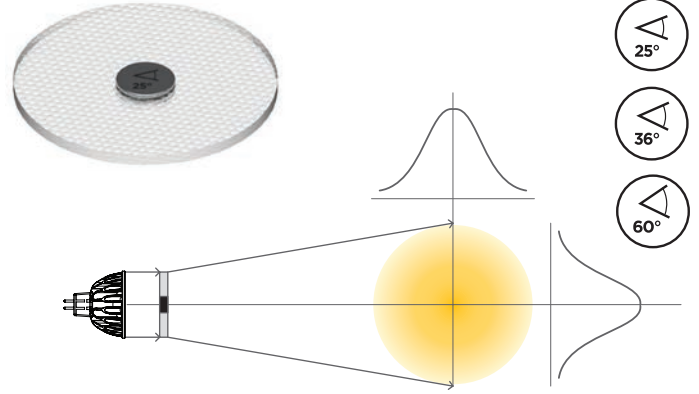
## SORAA SNAP SYSTEM LED ACCESSORIES - SMALL (2")

### BEAM SPREADER SNAP

Use in any application where reducing the number of beam angle SKUs is required. Reduces inventory costs. Shortens specification, design, sales cycles. Provides maximum flexibility up to the time of installation.

| Beam | Part Number   | Product Code | CBCP of 10° Lamp | Field Angle |
|------|---------------|--------------|------------------|-------------|
| 25°  | AC-GC-2525-00 | 00325        | 29%              | 40°         |
| 36°  | AC-GC-3636-00 | 00327        | 14%              | 55°         |
| 60°  | AC-GC-6060-00 | 00329        | 5%               | 103°        |

Lumen Transmissivity: 90%  
 Diameter: 50.0 mm Thickness: 2 mm  
 Magnetic Attach Force: 0.45 lb-F

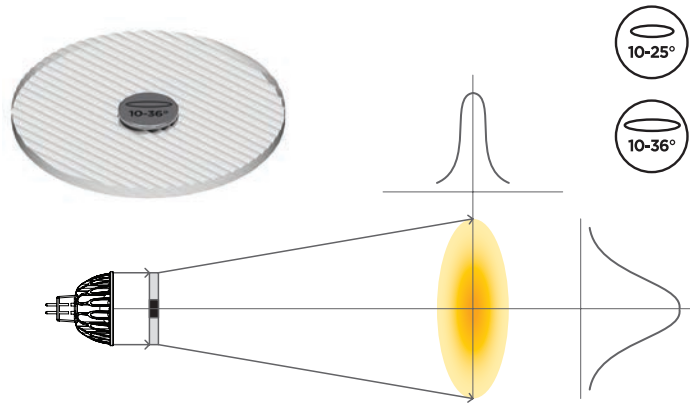


### LINEAR SNAP

Use in wall washes and illuminating asymmetric objects. Reduces required number of light fixtures and spill illumination of target objects.

| Beam      | Part Number Code | Product 10° Lamp | CBCP of Angle | Field Angle Horiz. | Field Angle Vert. |
|-----------|------------------|------------------|---------------|--------------------|-------------------|
| 10° - 25° | AC-GE-1025-00    | 00331            | 52%           | 27°                | 35°               |
| 10° - 36° | AC-GE-1036-00    | 00333            | 38%           | 27°                | 43°               |
| 10° - 60° | AC-GE-1060-00    | 03259            | 25%           | 25°                | 70°               |

Lumen Transmissivity: 90%  
 Diameter: 50.0 mm Thickness: 2 mm  
 Magnetic Attach Force: 0.45 lb-F

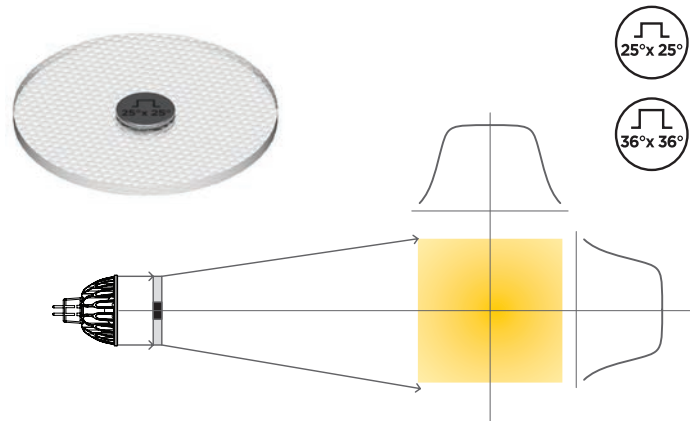


### FLAT TOP SNAP

Provides even illumination center to edge. Eliminates video camera saturation, for use in applications such as critical video surveillance.

| Beam      | Part Number   | Product Code | CBCP of 10° Lamp | Field Angle Horiz. | Field Angle Vert. |
|-----------|---------------|--------------|------------------|--------------------|-------------------|
| 25° x 25° | AC-FR-2525-00 | 00335        | 19%              | 44°                | 44°               |
| 36° x 36° | AC-FR-3636-00 | 00337        | 14%              | 46°                | 46°               |

Lumen Transmissivity: 90%  
 Diameter: 50.0 mm Thickness: 2 mm  
 Magnetic Attach Force: 0.45 lb-F

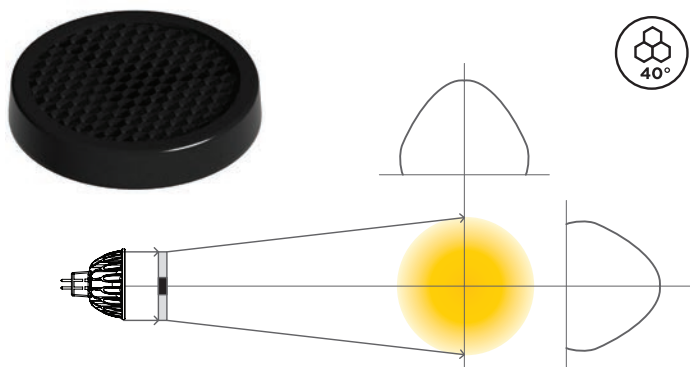


### LOUVER SNAP

Eliminates high angle glare, making light beams disappear in downlight applications.

| Cutoff Angle | Part Number   | Product Code | CBCP of 10° Lamp |
|--------------|---------------|--------------|------------------|
| 40°          | AC-LU-4040-00 | 00339        | 63%              |

Diameter: 51.1 mm Thickness: 9.0 mm  
 Magnetic Attach Force: 0.45 lb-F  
 Reduces angular intensity to 0.1% of peak at 40° full angle.  
 Fits around lamp face. Can be used in combination with gimbal ring fixtures.



## SORAA SNAP SYSTEM LED ACCESSORIES - SMALL (2")

### AIM SNAP

Designed with two lenses the Aim Snap bends the beam from 0 degree to maximum deflection angle of 20 degrees, while maintaining uniform and consistent color and shape.

| Part Number   | Product Code | Lumen Transmission | Beam Angle | Max Deflection Angle |
|---------------|--------------|--------------------|------------|----------------------|
| AC-AM-0020-00 | 03255        | 85%                | 13°        | 20°                  |

#### Suggested way of use:

Use the orientation lines to adjust beam deflection angle.

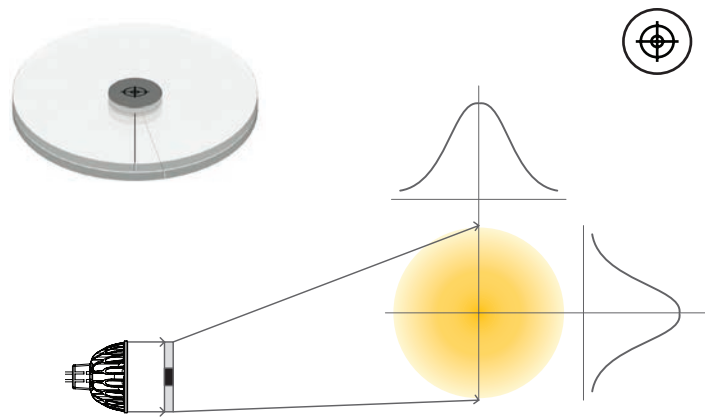


Narrower angle between orientation lines results in more deflection

Wider angle between orientation lines results in lesser deflection

Stacked orientation lines will result in undesirable optical artifacts. Rotate one lens slightly to mitigate.

Note: May be used with Beam Spreader, Linear, and Flat Top SNAP accessory.

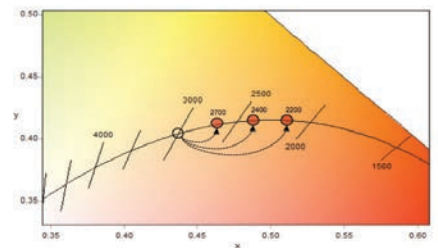


### CCT SHIFTER SNAP

Use in hospitality and restaurant applications to simulate warm dimming. Create custom colors for festive occasions or brand identity. Single Lamp SKU can be used for multiple color temperatures

| CTO* | Part Number   | Product Code | Lumen Transmissivity | Mired Shift |
|------|---------------|--------------|----------------------|-------------|
| 1/4  | AC-CC-0001-00 | 00323        | 90%                  | 37          |
| 1/2  | AC-CC-0002-00 | 00321        | 75%                  | 83          |
| 3/4  | AC-CC-0003-00 | 00319        | 60%                  | 120         |

\*Color Temperature Orange  
Diameter: 50.0 mm Thickness: 2 mm  
Magnetic Attach Force: 0.45 lb-F



#### CCT SHIFT EFFECT

| Starting Lamp CCT | 1/4 CTO | 1/2 CTO | 3/4 CTO |
|-------------------|---------|---------|---------|
| 2,700K            | 2,450K  | 2,200K  | 2,000K  |
| 3,000K            | 2,700K  | 2,400K  | 2,200K  |
| 4,000K            | 3,500K  | 3,000K  | 2,700K  |
| 5,000K            | 4,250K  | 3,550K  | 3,125K  |

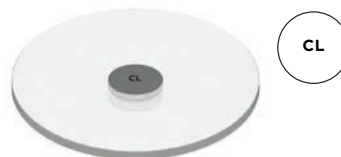
### CLEAR SNAP

Use together with gel and dichroic filters for total color freedom. Produce the exact mood and effect for any environment with the Clear SNAP accessory.

Clear Snap are sold in quantities of ten.

| Part Number   | Product Code | Lumen Transmissivity (1 Snap) | Lumen Transmissivity (2 Snaps) |
|---------------|--------------|-------------------------------|--------------------------------|
| AC-CL-0000-00 | 02183        | 93%                           | 87%                            |

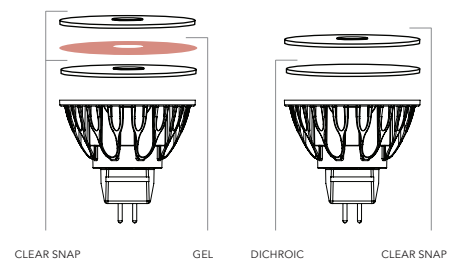
Diameter: 50.0 mm Thickness: 2 mm  
Magnetic Attach Force: 0.45 lb-F



Suggested way of use for:

Gel Filter

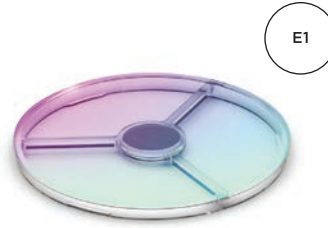
Dichroic Filter



## SORAA SNAP SYSTEM LED ACCESSORIES - SMALL (2")

### ENHANCE

Enhance is a unique color-enhancing filter. Designed to modify the spectrum of Soraa Vivid lamps, it increases the vividness of warm colors (including red, orange and pink colors) as well as greens. In applications where a more colorful setting is sought, Enhance lets the richness of colors stand out even more.



| Part Number   | Product Code | Lumen Transmissivity | Whiteness |
|---------------|--------------|----------------------|-----------|
| AC-EN-0001-00 | 03281        | 75%                  | 130%      |

Diameter: 50.0 mm Thickness: 2 mm  
Magnetic Attach Force: 0.45 lb-F

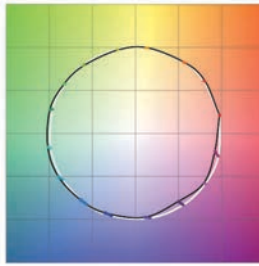
#### Application Notes:

Can be used in combination with any SORAA Vivid 10° lamp.  
Recommended use with CCTs of 3000K and 2700K

Recommend that the Enhance be combined with either a Louver Snap accessory (for 10° spot applications) or with a Beam Spreader Snap accessory (for other beam angles).

When stacking the Enhance Snap with other Snap accessories the Enhance Snap should be placed as the first filter on the lamp, followed by other Snaps.

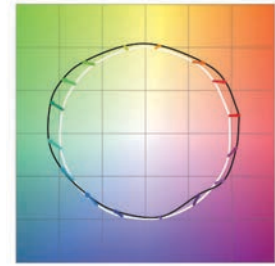
SORAA VIVID



Rf:90, Rg:100

Rw (Whiteness): 120 (2700K & 3000K)

EHANCE SNAP



Rf:75, Rg:112

Rw (Whiteness): 130 (2700K & 3000K)