

Fluorescent High Bay



Model	Bulb	Dimension	Lamp	Watt	Volt
HB-4T5	T5	4'1/8"x11 3/4"x3 3/8"	4	54W	120V-277V
HB-6T5	T5	4'1/8"x17"x3 3/8"	6	54W	120V-277V
HB-4T8	T8	4'1/8"x11 3/4"x3 3/8"	4	32W	120V-277V
HB-6T8	T8	4'1/8"x17"x3 3/8"	6	32W	120V-277V
HB-4T8PS	T8	4'1/8"x11 3/4"x3 3/8"	4	32W	120V-277V
HB-6T8PS	T8	4'1/8"x17"x3 3/8"	6	32W	120V-277V



The Linear Fluorescent High Bay is an ideal lighting source for warehouse, retail space, restaurant or any other industrial or commercial place. It has a 95% reflection with Vega-95 aluminum for maximum efficiency. The heavy gauge steel body and iron phosphate pretreatment ensures durability and inhibits rusting. Easy access to the ballast under the fixture. Installation and removal is easy and can be achieved without the use of any tools. The High Bay is equipped with 6 lamps that can each be removed individually. If desired, the High Bay can be ordered upon request with the new Program Start System. Program start system is energy and money efficient since it has motion sensor and allows you to turn it on or off with a timing device.



Sun and Stars Lighting, Inc
 517 Monterey Pass Rd.
 Monterey Park, CA 91754

Phone: (626) 401-1228
 Fax: (626) 401- 1220
 Email: sales@sunstarslighting.com

Benefit:

- High Quality electronic ballast reduce maintains cost.
- 95% reflection reflector to maximize the light.
- New design provide easier installation and maintenance.
- All welded assembly and post painted for maximum operating life.
- Die formed heavy gauge steel. Tight fit for ease of maintenance and easily removed without use of tools.
- Fluorescent lamp has a better lighter color rendering than HID.
- The High Bay can be place for 10ft - 35ft high ceiling.
- Able to access the ballast from taking off just 2 screws.
- Save up to 70% then HID.

Application:

- Commerical
- Storage Room
- School
- Restaurant
- Industrial

Structure:

- 20-gauge steel though out the whole body.
- Multistage iron phosphate pretreatment ensures maximum bonding and rust inhibitor.
- Pretreated with five-stage iron phosphate process ensures superior paint adhesion.
- Ballasts are UL Class "P" and are positively secured by mounting bolts.
- High quality twist lock socket
- Instant restrike
- Motion Sensor (optional)
- Program start ballast (HB-4/T8PS or HB-6/T8PS)

Accessories:



Ballast (Electrical System):

- Class "P"
- Positively secured by mounting bolts
- UL and CUL listed
- Thermal protected
- High Power Factor
- Non-PCB
- Electronic ballasts sound rated A.
- Comply with federal energy efficiency standards
- GE and Keystone Ballast (Optional)

Lamps (Optional)

- F32 T8/841 (CEE List)
- F32 T8/850 (CEE List)
- F54 T5/841 (CEE List)
- F54 T5/850 (CEE List)

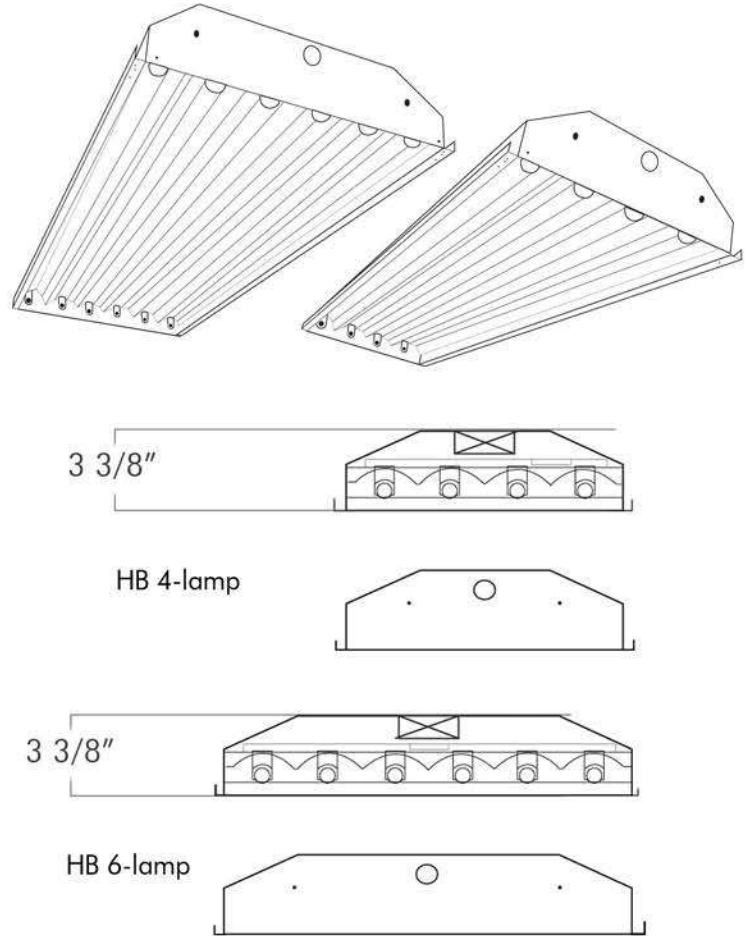
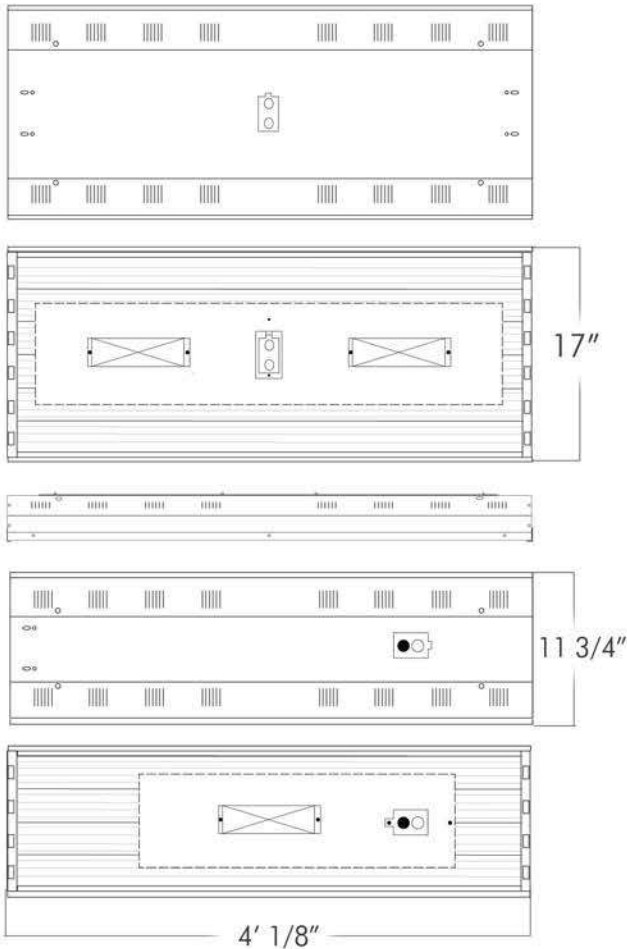
Mounting Option:

- AYC Chain Mount
- EYE Chain Mount
- Ceiling Mount



Specifications

Diagram:



Model	Bulb	Dimension	Lamp	Watt	Ballast
HB-4T5	T5	4'1/8"x 11 3/4"x3 3/8"	4	54W	Universal Electronic Ballast
HB-6T5	T5	4'1/8"x17"x3 3/8"	6	54W	Universal Electronic Ballast
HB-4T8	T8	4'1/8"x 11 3/4"x3 3/8"	4	32W	Universal Electronic Ballast
HB-6T8	T8	4'1/8"x17"x3 3/8"	6	32W	Universal Electronic Ballast
HB-4T8PS	T8	4'1/8"x 11 3/4"x3 3/8"	4	32W	Universal Electronic Ballast
HB-6T8PS	T8	4'1/8"x17"x3 3/8"	6	32W	Universal Electronic Ballast

Order Information:

Sun and Stars Lighting, Inc
 517 Monterey Pass Rd.
 Monterey Park, CA 91754

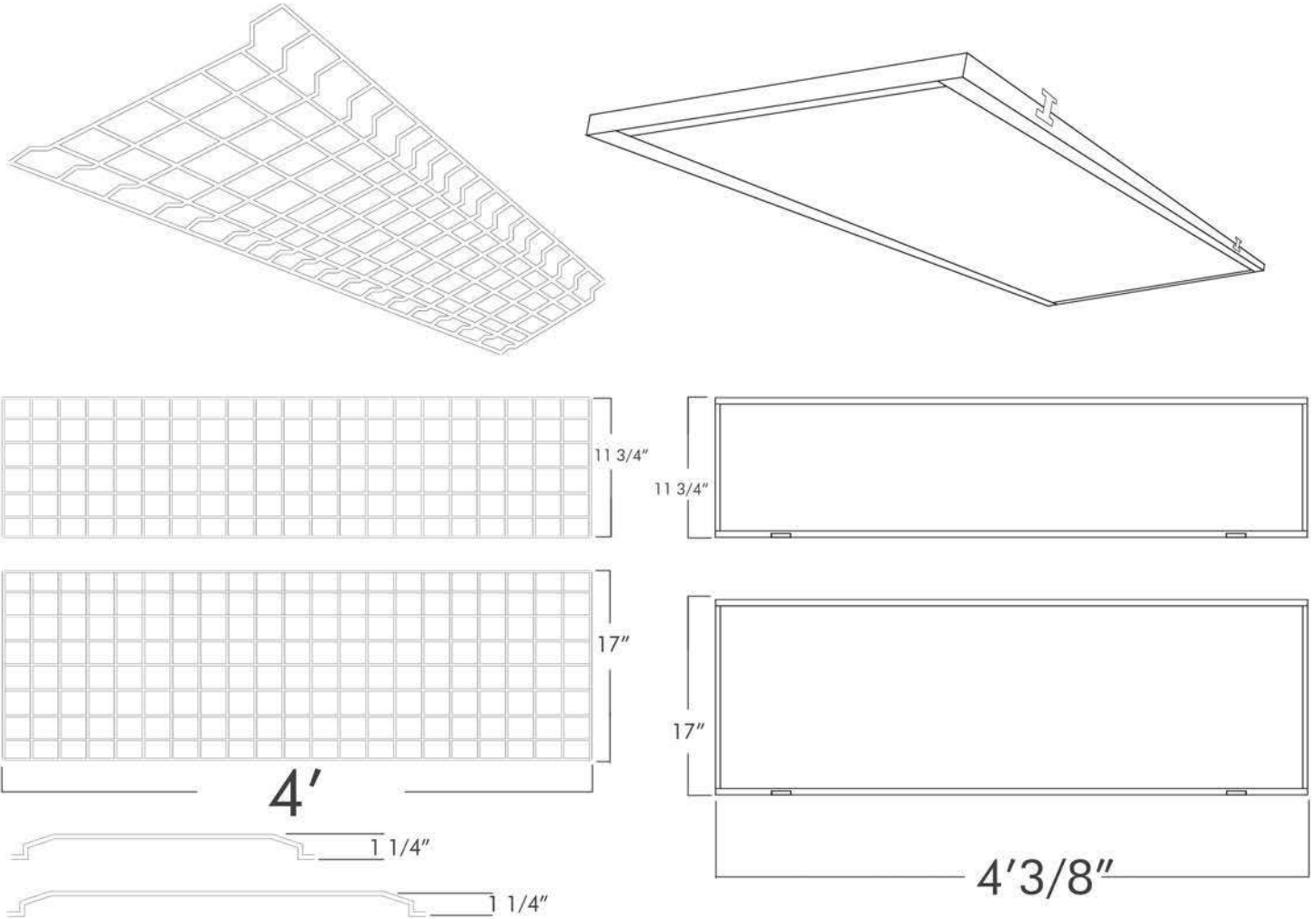
Phone: (626) 401-1228
 Fax: (626) 401- 1220
 Email: sales@sunstarslighting.com

Warranty:

5 years warranty for the ballast
 2 years warranty for fixture

Accessories Specifications

Diagram:



Model	Dimension	Lamp	Total Dimension with Fixture
Wireguard (4)	4'x 11 3/4"x1 1/4"	4	4'1/8"x 11 3/4"x4 5/8"
Wireguard (6)	4'x17"x1 1/4"	6	4'1/8"x17"x4 5/8"
Acrylic Lens (4)	4'3/8"x 11 3/4"x5/8"	4	4'3/8"x 11 3/4"x4"
Acrylic Lens (6)	4'3/8"x17"x5/8"	6	4'3/8"x17"x4"

Order Information:

Sun and Stars Lighting, Inc
 517 Monterey Pass Rd.
 Monterey Park, CA 91754

Phone: (626) 401-1228
 Fax: (626) 401- 1220
 Email: sales@sunstarslighting.com

Warranty:

5 years warranty for the ballast
 2 years warranty for fixture