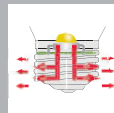




LED LAMPS



Heat-to-Base

The advanced Heat-to-Base structure allows quick heat transfer. It helps to lower the junction temperature of LEDs and at the same time maintain the glass shape design.

ProLED[®] Sign Lamp Series



40,000 Hour Life

5

 YR

WARRANTY
5-Year Warranty

Ideal LED solution for replacing Incandescent or Cold Cathode sign lamps



White



Yellow



Orange



Red



Blue



Green



**Long Life Reduces
Maintenance Cost**

**Designed For Rapidly
Flashing Sign Applications**

5-Year Limited Warranty

Applications:

Outdoor Sign
Retail

Markets:

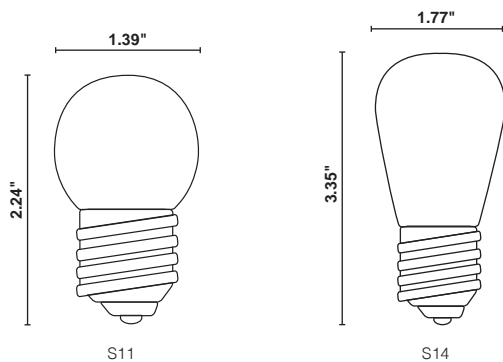
Residential
Commercial

ProLED[®]

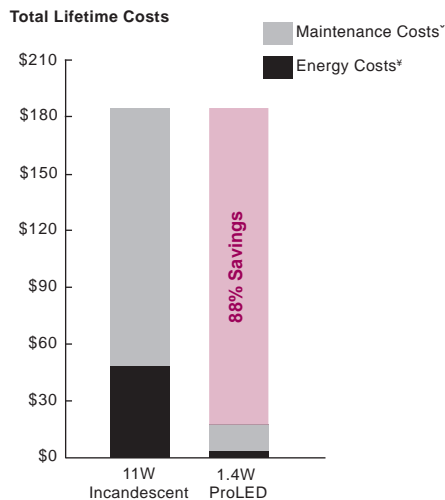
Sign Lamp Series

Specifications

- Dimmable
- Unique "Heat-to-Base" structure allows for heat to be dissipated through the lamp base minimizing the need for a visible heat sink
- UL Listed for wet locations
- Available in red, blue, green, yellow, orange, white and clear 2700K options



Energy Savings Comparison



* Maintenance costs based on 15 minutes at \$40 per/hr
[‡] Energy costs based on \$0.11 kWh

Ordering Information



	Watt	Base	Product #	Product Code	Description	Volts	Color Temp.	CRI	Lumens	Useful Life*	Pkg. Qty.	MOL
S11												
⊕	1.2	Intermediate	80525	S11CL1C/827/INT/LED	Clear, IP65 Rated	120	2700	82	35	40,000	1/25	2.24"
⊕	1.2	Medium	80524	S11CL1C/827/LED	Clear, IP65 Rated	120	2700	82	35	40,000	1/25	2.24"
⊕	1.2	Medium	80526	S11WH1C/LED	White, IP65 Rated	120	-	-	-	40,000	1/25	2.24"
S14												
	1.4	Medium	80517	S14RED1C/LED	Red, IP65 Rated	120	-	-	-	40,000	1/25	3.35"
	1.4	Medium	80518	S14BLU1C/LED	Blue, IP65 Rated	120	-	-	-	40,000	1/25	3.35"
	1.4	Medium	80519	S14GRN1C/LED	Green, IP65 Rated	120	-	-	-	40,000	1/25	3.35"
	1.4	Medium	80520	S14YEL1C/LED	Yellow, IP65 Rated	120	-	-	-	40,000	1/25	3.35"
	1.4	Medium	80521	S14WH1C/LED	White, IP65 Rated	120	-	-	-	40,000	1/25	3.35"
	1.4	Medium	80523	S14ORG1C/LED	Orange, IP65 Rated	120	-	-	-	40,000	1/25	3.35"
	1.4	Medium	80522	S14CL1C/827/LED	Clear, IP65 Rated	120	2700	82	35	40,000	1/25	3.35"

⊕ NEW ITEM

* Useful Life is defined as the point in time at which the lamp will maintain at least 70% of its initial lumens. The lamp will continue to burn past this point, but at decreased light levels.

Warranty – Commercial / Industrial: This product is warranted for 5 years from the date of purchase, based on 10 hours of use per day.

Not for use in enclosed fixtures.