

# AC Motor Run Capacitors



**ZeMax™ - Aluminum Case**



**AeroMet II - Plastic Case**



**SuperMet - Metal Case**

**Made in the USA**



## Table of Contents

<b>AeroMet II Specifications (Series Type M) .....</b>	<b>3</b>
<b>SuperMet &amp; ZeMax™ Specifications (Series Type Z).....</b>	<b>4</b>
<b>Part Numbering System .....</b>	<b>5</b>
<b>AeroMet II Ratings Tables (Single Capacity) Series Type M.....</b>	<b>6</b>
<b>AeroMet II Ratings Tables (Dual Capacity) Series Type M .....</b>	<b>8</b>
<b>SuperMet Ratings Tables (Single capacity) Series Type Z.....</b>	<b>9</b>
<b>SuperMet Ratings Tables (Dual Capacity) Series Type Z .....</b>	<b>11</b>
<b>ZeMax™ Ratings Tables (Single Capacity) Series Type Z .....</b>	<b>13</b>
<b>AeroMet II Mechanical Dimensions .....</b>	<b>15</b>
<b>SuperMet Mechanical Dimensions .....</b>	<b>16</b>
<b>ZeMax™ Mechanical Dimensions.....</b>	<b>17</b>
<b>Accessories - Mounting Hardware .....</b>	<b>18</b>

## AeroMet II Specifications

---

Aerovox's line of AeroMet II (M Series) AC motor run capacitors represent product which is on the leading edge of motor run capacitor technology. This design incorporates an insulating plastic case, rated UL94V-2, and a UL Recognized internal pressure interrupter, which meets or exceeds the performance of traditional metal case alternatives. The noncorrosive plastic case eliminates the need for painted steel or aluminum cases for outdoor applications. In addition, grounding is not necessary with the plastic case.

Each capacitor is filled with Aerovox's patented Supernol dielectric fluid. This fluid is a made from a combination of environmentally safe and compatible ingredients that enhance capacitor performance. The fluid suppresses the degrading effects of corona at the edge of the metallized film and improves heat transfer, resulting in superior capacitance stability and long-term reliability.

All AeroMet II capacitors are available with the time and cost saving AeroMount system. Contact factory for details.

## Approval Certifications

---

- UL file number E51176



- CSA file number 058450



- VDE Certification Available  
Consult Factory



## Electrical Characteristics

---

- Temperature Range -40 to +70°C.
- Capacitance Range 3 to 80 µF.
- Capacitance Tolerance ±10%.
- Voltage Range 240 to 440 vac, 60 Hz.
- Dissipation Factor 0.1% max @ 60 Hz & 25°C.
- Insulation Resistance >1000 MΩ per µF.

- Withstand Voltage.
  - » Terminal to Terminal 1.75 x WVAC
  - » Terminal to Case 2 × WVAC + 1KVAC
- Capacitance stability ± 3% throughout life.

## Features

---

- Non-corrosive, flame-retardant plastic case UL 94V-2.
- Single and dual rated values.
- Integral mounting options available for easy installation.
- 60,000 hours operational life.
- Self-clearing metallized polypropylene film.
- Patented pressure interrupter is UL 810 recognized.
- Fully automated assembly for consistent results
- Environmentally friendly patented non-PCB Supernol® fluid.
- All AeroMet II capacitors meet the steady state test requirements of EIA RS-186-3E.

Contact factory for applications requiring recycled humidity test requirements of EIA RS-186-2E (Tropical Conditions).

## Applications

---

- Window Air Conditioners
- Unitary Air Conditioners
- Electric Motors
- Fans & Blowers
- Pumps
- Laundry Equipment
- Dehumidifiers
- Compressors
- Furnaces

## **SuperMet & ZeMax™ Specifications**

---

Aerovox's line of SuperMet and ZeMax™ capacitors utilize state of the art metallized polypropylene film technology. This latest design material has combined leading edge design techniques with over forty years of capacitor experience.

All SuperMet and ZeMax™ capacitors incorporate a UL recognized pressure sensitive interrupter to remove the capacitor from the circuit at end of life.

Each capacitor is filled with an Epoxidized Soybean oil dielectric fluid. Soybean-Oil has proven reliability throughout several previous decades. Soybean-oil is environmentally compatible and biodegradable. The Soybean-Oil protects metallized film from corrosion, aids heat transfer, and helps suppresses the degrading effects of corona, which may otherwise cause premature failures. Proprietary processing with vacuum and heat cycles ensures complete removal of moisture, resulting in superior capacitance stability and long-term reliability.

## **Electrical Characteristics**

---

- Temperature Range -40 to +70°C.
- Capacitance Range 3 to 80  $\mu$ F.
- Capacitance Tolerance  $\pm$ 10%.
- Voltage Range 240 to 480 vac, 60 Hz.
- Dissipation Factor 0.1% max  
@ 60 Hz & 25°C.
- Insulation Resistance >1000 M $\cdot$  $\mu$ F.
- Withstand Voltage.
  - Term to Term 1.75 x WVAC
  - Term to Case 2 x WVAC + 1KVAC

## **Features**

---

- Metal Case (Aluminum case available upon request – contact factory) for SuperMet
- ZeMax™ - Round aluminum case only
- Oval Case Options - SuperMet only
- Single and Dual Rated Values - Dual rating available in SuperMet only
- 60,000 Hours Operational Life.
- Capacitance stability  $\pm$  3% throughout life
- Self-clearing Metallized Polypropylene Film.
- Patented Pressure Interrupter meets UL810 requirements.
- Environmentally Friendly Patented non-PCB Epoxidized Soybean-oil®.

## **Approval Certifications**

---

UL and CUL file number E51176

CE - Consult factory

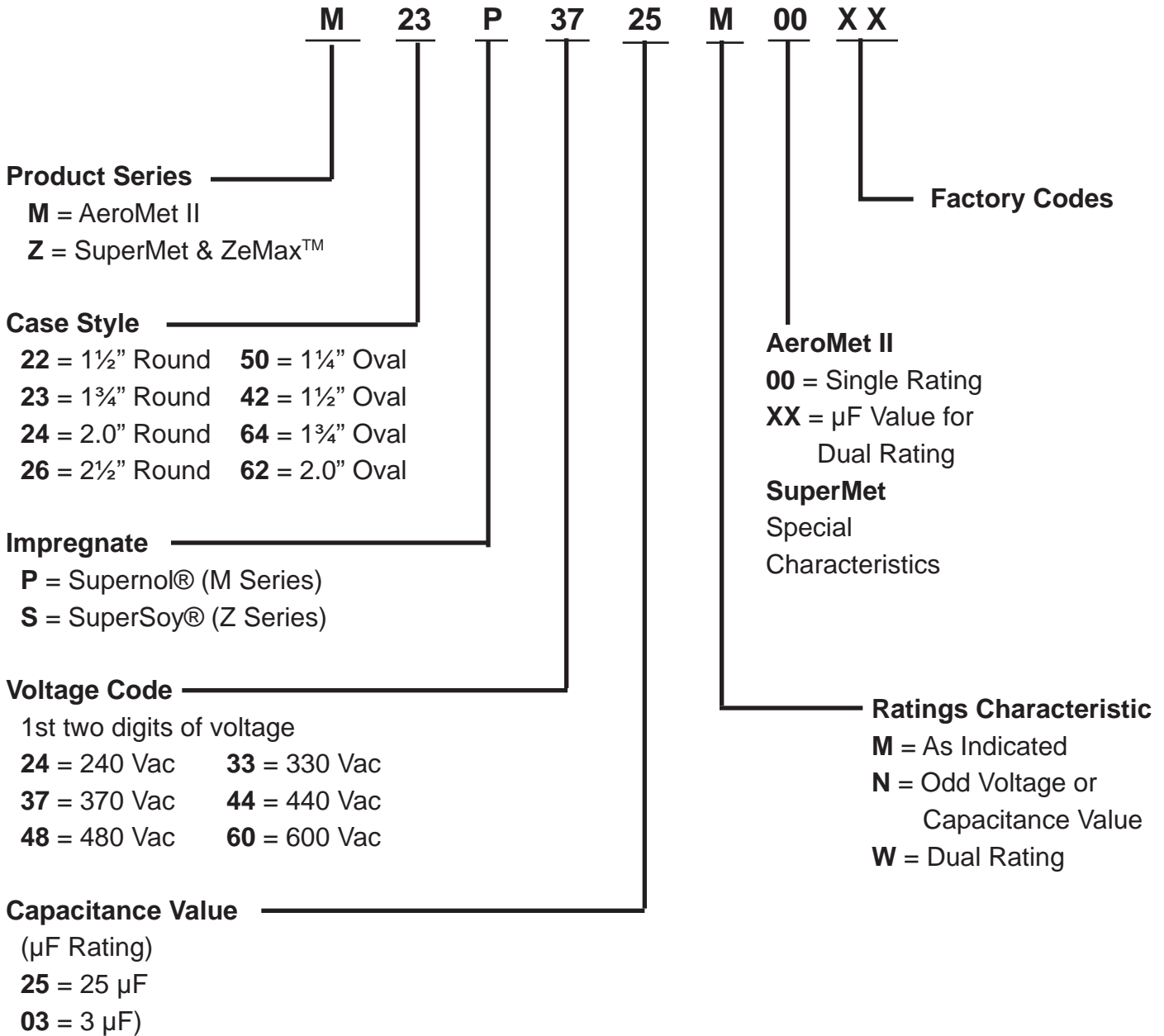
VDE - Consult factory

## **Applications**

---

- Window Air Conditioners
- Unitary Air Conditioners
- Electric Motors
- Fans & Blowers
- Pumps
- Laundry Equipment
- Dehumidifiers

# Part Numbering System



## AeroMet II Series - Round Plastic Case

### Single Rating Capacitors

RoHS Compliant

<b>AeroMet II 240 Vac Plastic Case</b>						
<b>Cap (<math>\mu</math>F)</b>	<b>Catalog Part Number</b>	<b>Case Code</b>	<b>Base Size</b>		<b>Case Height</b>	
			<b>(in.)</b>	<b>(mm)</b>	<b>(in.)</b>	<b>(mm)</b>
5	M22P2405M00	MM	1.5	38.1	2.62	66.50
6	M22P2406M00	MM	1.5	38.1	2.62	66.50
7.5	M22P2407N00	MM	1.5	38.1	2.62	66.50
10	M22P2410M00	MM	1.5	38.1	2.62	66.50
12.5	M22P2412N00	MM	1.5	38.1	2.62	66.50
15	M22P2415M00	MM	1.5	38.1	3.15	80.00
17.5	M22P2417N00	MM	1.5	38.1	3.15	80.00
20	M22P2420M00	MM	1.5	38.1	3.64	92.50
<b>AeroMet II 440 Vac Plastic Case</b>						
3	M22P4403M00	MM	1.5	38.1	2.62	66.50
4	M22P4404M00	MM	1.5	38.1	2.62	66.50
5	M22P4405M00	MM	1.5	38.1	2.62	66.50
6	M22P4406M00	MM	1.5	38.1	2.62	66.50
7.5	M22P4407N00	MM	1.5	38.1	3.15	80.00
10	M22P4410M00	MM	1.5	38.1	3.64	92.50
45	M26P4445N00	TT	2.5	63.5	3.64	92.46
50	M26P4450N00	TT	2.5	63.5	3.64	92.46
55	M26P4455N00	TT	2.5	63.5	4.13	104.90
60	M26P4460N00	TT	2.5	63.5	4.13	104.90
65	M26P4465N00	TT	2.5	63.5	5.12	130.05
<b>AeroMet II 370 Vac Plastic Case</b>						
3	M22P3703M00	MM	1.5	38.1	2.62	66.55
4	M22P3704M00	MM	1.5	38.1	2.62	66.55
5	M22P3705M00	MM	1.5	38.1	2.62	66.55
6	M22P3706M00	MM	1.5	38.1	2.62	66.55
7.5	M22P3707N00	MM	1.5	38.1	2.62	66.55
10	M22P3710M00	MM	1.5	38.1	3.15	80.01
12.5	M22P3712N00	MM	1.5	38.1	3.15	80.01
15	M22P3715M00	MM	1.5	38.1	3.64	92.46
65	M26P3765M00	TT	2.5	63.5	3.64	92.46
70	M26P3770M00	TT	2.5	63.5	3.64	92.46

# AeroMet II Series - Round Plastic Case

## Dual Rating Capacitors

RoHS Compliant

AeroMet II 370 Vac Plastic Case						
Cap ( $\mu$ F)	Catalog Part Number	Case Code	Base Size		Case Height	
			(in.)	(mm)	(in.)	(mm)
15.0 / 5.0	M24P3715W05	SS	2.0	50.8	3.64	92.46
15.0 / 7.5	M24P3715W07	SS	2.0	50.8	3.64	92.46
15.0 / 10.0	M24P3715W10	SS	2.0	50.8	4.13	104.90
20.0 / 5.0	M24P3720W05	SS	2.0	50.8	3.64	92.46
20.0 / 7.5	M24P3720W07	SS	2.0	50.8	3.64	92.46
20.0 / 10.0	M24P3720W10	SS	2.0	50.8	4.13	104.90
25.0 / 5.0	M24P3725W05	SS	2.0	50.8	3.64	92.46
25.0 / 7.5	M24P3725W07	SS	2.0	50.8	3.64	92.46
25.0 / 10.0	M24P3725W10	SS	2.0	50.8	4.13	104.90
30.0 / 5.0	M24P3730W05	SS	2.0	50.8	4.13	104.90
30.0 / 7.5	M24P3730W07	SS	2.0	50.8	3.64	92.46
30.0 / 10.0	M24P3730W10	SS	2.0	50.8	4.13	104.90
35.0 / 5.0	M24P3735W05	SS	2.0	50.8	4.13	104.90
35.0 / 7.5	M24P3735W07	SS	2.0	50.8	4.13	104.90
35.0 / 10.0	M24P3735W10	SS	2.0	50.8	4.13	104.90
40.0 / 5.0	M24P3740W05	SS	2.0	50.8	4.63	117.60
40.0 / 7.5	M24P3740W07	SS	2.0	50.8	4.13	104.90
40.0 / 10.0	M24P3740W10	SS	2.0	50.8	4.63	117.60
45.0 / 5.0	M24P3745W05	SS	2.0	50.8	5.12	130.05
45.0 / 7.5	M24P3745W07	SS	2.0	50.8	5.12	130.05
45.0 / 10.0	M24P3745W10	SS	2.0	50.8	5.12	130.05
50.0 / 5.0	M26P3750W05	TT	2.5	63.5	3.64	92.46
50.0 / 7.5	M26P3750W07	TT	2.5	63.5	3.64	92.46
50.0 / 10.0	M26P3750W10	TT	2.5	63.5	4.13	104.90
55.0 / 5.0	M26P3755W05	TT	2.5	63.5	3.64	92.46
55.0 / 7.5	M26P3755W07	TT	2.5	63.5	3.64	92.46
55.0 / 10.0	M26P3755W10	TT	2.5	63.5	4.13	104.90
60.0 / 5.0	M26P3760W05	TT	2.5	63.5	4.13	104.90
60.0 / 7.5	M26P3760W07	TT	2.5	63.5	4.13	104.90

## AeroMet II Series - Round Plastic Case

### Dual Rating Capacitors

RoHS Compliant

AeroMet II 440 Vac Plastic Case						
Cap ( $\mu$ F)	Catalog Part Number	Case Code	Base Size		Case Height	
			(in.)	(mm)	(in.)	(mm)
15.0 / 5.0	M24P4415W05	SS	2.0	50.8	3.64	92.46
15.0 / 7.5	M24P4415W07	SS	2.0	50.8	4.13	104.90
15.0 / 10.0	M24P4415W10	SS	2.0	50.8	5.12	130.05
20.0 / 5.0	M24P4420W05	SS	2.0	50.8	3.64	92.46
20.0 / 7.5	M24P4420W07	SS	2.0	50.8	4.13	104.90
20.0 / 10.0	M24P4420W10	SS	2.0	50.8	5.12	130.05
25.0 / 5.0	M24P4425W05	SS	2.0	50.8	4.13	104.90
25.0 / 7.5	M24P4425W07	SS	2.0	50.8	4.13	104.90
25.0 / 10.0	M24P4425W10	SS	2.0	50.8	5.12	130.05
30.0 / 5.0	M24P4430W05	SS	2.0	50.8	3.64	92.46
30.0 / 7.5	M26P4430W07	TT	2.5	63.5	5.12	130.05
30.0 / 10.0	M26P4430W10	TT	2.5	63.5	4.63	117.60
35.0 / 5.0	M26P4435W05	TT	2.5	63.5	3.64	92.46
35.0 / 7.5	M26P4435W07	TT	2.5	63.5	4.13	104.90
35.0 / 10.0	M26P4435W10	TT	2.5	63.5	5.12	130.05
40.0 / 5.0	M26P4440W05	TT	2.5	63.5	3.64	92.46
40.0 / 7.5	M26P4440W07	TT	2.5	63.5	4.13	104.90
40.0 / 10.0	M26P4440W10	TT	2.5	63.5	5.12	130.05
45.0 / 5.0	M26P4445W05	TT	2.5	63.5	4.13	104.90
45.0 / 7.5	M26P4445W07	TT	2.5	63.5	4.13	104.90
45.0 / 10.0	M26P4445W10	TT	2.5	63.5	5.12	130.05
50.0 / 5.0	M26P4450W05	TT	2.5	63.5	4.13	104.90
50.0 / 7.5	M26P4450W07	TT	2.5	63.5	4.13	104.90
50.0 / 10.0	M26P4450W10	TT	2.5	63.5	5.12	130.05
55.0 / 5.0	M26P4455W05	TT	2.5	63.5	4.13	104.90
55.0 / 7.5	M26P4455W07	TT	2.5	63.5	5.12	130.05
55.0 / 10.0	M26P4455W10	TT	2.5	63.5	5.12	130.05
60.0 / 5.0	M26P4460W05	TT	2.5	63.5	5.12	130.05
60.0 / 10.0	M26P4460W10	TT	2.5	63.5	5.12	130.05



# SuperMet Series - Round & Oval Metal Case

## Single Rating Capacitors

RoHS Compliant

SuperMet 240 Vac Metal Case												
Nom.	Round Case Style						Oval Case Style					
	Cap (µF)	Catalog Part Number	Case Code	Base Dia.		Case Height		Catalog Part Number	Case Code	Base Size		Case Height
			(in.)	(mm)	(in.)	(mm)			(in.)	(mm)	(in.)	(mm)
4	Z23S2404M	P	1.75	44.45	2.38	60.45	Z50S2404M	A	1.25	31.75	1.56	39.62
5	Z23S2405M	P	1.75	44.45	2.38	60.45	Z50S2405M	A	1.25	31.75	1.56	39.62
6	Z23S2406M	P	1.75	44.45	2.38	60.45	Z50S2406M	A	1.25	31.75	1.56	39.62
7.5	Z23S2407N	P	1.75	44.45	2.38	60.45	Z50S2407N	A	1.25	31.75	2.38	60.45
10	Z23S2410M	P	1.75	44.45	2.38	60.45	Z50S2410M	A	1.25	31.75	2.38	60.45
12.5	Z23S2412N	P	1.75	44.45	2.38	60.45	Z50S2412N	A	1.25	31.75	2.75	69.85
15	Z23S2415M	P	1.75	44.45	2.38	60.45	Z50S2415M	A	1.25	31.75	2.75	69.85
17.5	Z23S2417N	P	1.75	44.45	2.38	60.45	Z50S2417N	A	1.25	31.75	3.25	82.55
20	Z23S2420M	P	1.75	44.45	2.38	60.45	Z50S2420M	A	1.25	31.75	3.25	82.55
25	Z23S2425M	P	1.75	44.45	2.38	60.45	Z50S2425M	A	1.25	31.75	3.75	95.25
30	Z23S2430M	P	1.75	44.45	2.75	69.85	Z64S2430M	C	1.75	44.45	2.75	69.85
35	Z23S2435M	P	1.75	44.45	2.75	69.85	Z64S2435M	C	1.75	44.45	2.75	69.85
40	Z23S2440M	P	1.75	44.45	3.25	82.55	Z64S2440M	C	1.75	44.45	2.75	69.85
45	Z23S2445M	P	1.75	44.45	3.25	82.55	Z64S2445M	C	1.75	44.45	3.25	82.55
50	Z23S2450M	P	1.75	44.45	3.75	95.25	Z64S2450M	C	1.75	44.45	3.25	82.55
55	Z23S2455M	P	1.75	44.45	3.75	95.25	Z64S2455M	C	1.75	44.45	3.75	95.25
60	Z23S2460M	P	1.75	44.45	4.25	107.95	Z64S2460M	C	1.75	44.45	3.75	95.25
65	Z26S2465M	T	2.50	63.50	3.25	82.55	Z62S2465M	D	2.00	50.80	3.25	82.55
70	Z26S2470M	T	2.50	63.50	3.25	82.55	Z62S2470M	D	2.00	50.80	3.25	82.55
75	Z26S2475M	T	2.50	63.50	3.75	95.25	Z62S2475M	D	2.00	50.80	3.25	82.55
80	Z26S2480M	T	2.50	63.50	3.75	95.25	Z62S2480M	D	2.00	50.80	3.75	95.25

SuperMet 370 Vac Metal Case												
Nom.	Round Case Style						Oval Case Style					
	Cap (µF)	Catalog Part Number	Case Code	Base Dia.		Case Height		Catalog Part Number	Case Code	Base Size		Case Height
			(in.)	(mm)	(in.)	(mm)			(in.)	(mm)	(in.)	(mm)
4	Z23S3704M	P	1.75	44.45	2.38	60.3	Z50S3704M	A	1.25	31.75	1.56	39.7
5	Z23S3705M	P	1.75	44.45	2.38	60.3	Z50S3705M	A	1.25	31.75	1.56	39.7
6	Z23S3706M	P	1.75	44.45	2.38	60.3	Z50S3706M	A	1.25	31.75	2.38	60.3
7.5	Z23S3707N	P	1.75	44.45	2.38	60.3	Z50S3707N	A	1.25	31.75	2.38	60.3
10	Z23S3710M	P	1.75	44.45	2.38	60.3	Z50S3710M	A	1.25	31.75	2.75	69.9
12.5	Z23S3712N	P	1.75	44.45	2.38	60.3	Z50S3712N	A	1.25	31.75	3.25	82.6
15	Z23S3715M	P	1.75	44.45	2.38	60.3	Z50S3715M	A	1.25	31.75	3.25	82.6
17.5	Z23S3717N	P	1.75	44.45	2.38	60.3	Z50S3717N	A	1.25	31.75	3.75	95.3
20	Z23S3720M	P	1.75	44.45	2.75	69.9	Z50S3720M	A	1.25	31.75	4.25	108.0
25	Z23S3725M	P	1.75	44.45	2.75	69.9	Z64S3725M	C	1.75	44.45	2.75	69.9
30	Z23S3730M	P	1.75	44.45	2.75	69.9	Z64S3730M	C	1.75	44.45	3.25	82.6
35	Z23S3735M	P	1.75	44.45	3.25	82.6	Z64S3735M	C	1.75	44.45	3.25	82.6
40	Z24S3740M	S	2.00	50.80	2.75	69.9	Z64S3740M	C	1.75	44.45	3.75	95.3
45	Z24S3745M	S	2.00	50.80	3.75	95.3	Z64S3745M	C	1.75	44.45	4.25	108.0
50	Z24S3750M	S	2.00	50.80	3.75	95.3	Z64S3750M	C	1.75	44.45	4.25	108.0
55	Z24S3755M	S	2.00	50.80	3.75	95.3	Z64S3755M	C	1.75	44.45	4.75	120.7
60	Z26S3760M	T	2.50	63.50	2.75	69.9	Z62S3760M	D	2.00	50.80	2.75	69.9
65	Z26S3765M	T	2.50	63.50	3.25	82.6	Z62S3765M	D	2.00	50.80	3.25	82.6
70	Z26S3770M	T	2.50	63.50	3.25	82.6	Z62S3770M	D	2.00	50.80	3.25	82.6
75	Z26S3775M	T	2.50	63.50	3.25	82.6	Z62S3775M	D	2.00	50.80	3.25	82.6
80	Z26S3780M	T	2.50	63.50	3.25	82.6	Z62S3780M	D	2.00	50.80	3.25	82.6

# SuperMet Series - Round & Oval Metal Case

## Single Rating Capacitors

RoHS Compliant

SuperMet 440 Vac Metal Case												
Nom. Cap ( $\mu$ F)	Round Case Style						Oval Case Style					
	Catalog Part Number	Case Code	Base Dia.		Case Height		Catalog Part Number	Case Code	Base Size		Case Height	
			(in.)	(mm)	(in.)	(mm)			(in.)	(mm)	(in.)	(mm)
4	Z23S4404M	P	1.75	44.45	2.38	60.3	Z50S4404M	A	1.25	31.75	2.38	60.3
5	Z23S4405M	P	1.75	44.45	2.38	60.3	Z50S4405M	A	1.25	31.75	2.38	60.3
6	Z23S4406M	P	1.75	44.45	2.38	60.3	Z50S4406M	A	1.25	31.75	2.38	60.3
7.5	Z23S4407N	P	1.75	44.45	2.38	60.3	Z50S4407N	A	1.25	31.75	2.75	69.9
10	Z23S4410M	P	1.75	44.45	2.38	60.3	Z50S4410M	A	1.25	31.75	3.25	82.6
12.5	Z23S4412N	P	1.75	44.45	2.38	60.3	Z50S4412N	A	1.25	31.75	3.75	95.3
15	Z23S4415M	P	1.75	44.45	2.75	69.9	Z64S4415M	C	1.75	44.45	2.75	69.9
17.5	Z23S4417N	P	1.75	44.45	2.75	69.9	Z64S4417N	C	1.75	44.45	2.75	69.9
20	Z23S4420M	P	1.75	44.45	2.75	69.9	Z64S4420M	C	1.75	44.45	2.75	69.9
25	Z23S4425M	P	1.75	44.45	3.25	82.6	Z64S4425M	C	1.75	44.45	3.25	82.6
30	Z23S4430M	P	1.75	44.45	3.75	95.3	Z64S4430M	C	1.75	44.45	3.75	95.3
35	Z24S4435M	S	2.00	50.80	3.25	82.6	Z64S4435M	C	1.75	44.45	4.25	108.0
40	Z24S4440M	S	2.00	50.80	3.75	95.3	Z64S4440M	C	1.75	44.45	4.25	106.0
45	Z26S4445M	T	2.50	63.50	2.75	69.9	Z62S4445M	D	2.00	50.80	3.25	82.6
50	Z26S4450M	T	2.50	63.50	3.25	82.6	Z62S4450M	D	2.00	50.80	3.25	82.6
55	Z26S4455M	T	2.50	63.50	3.25	82.6	Z62S4455M	D	2.00	50.80	3.25	82.6
60	Z26S4460M	T	2.50	63.50	3.75	95.3	Z62S4460M	D	2.00	50.80	3.75	95.3

SuperMet 480 Vac Metal Case												
Nom. Cap ( $\mu$ F)	Round Case Style						Oval Case Style					
	Catalog Part Number	Case Code	Base Dia.		Case Height		Catalog Part Number	Case Code	Base Size		Case Height	
			(in.)	(mm)	(in.)	(mm)			(in.)	(mm)	(in.)	(mm)
4	Z23S4804M	P	1.8	44.45	2.38	60.3	Z50S4804M	A	1.25	31.75	2.38	60.3
5	Z23S4805M	P	1.8	44.45	2.38	60.3	Z50S4805M	A	1.25	31.75	2.75	69.9
6	Z23S4806M	P	1.8	44.45	2.38	60.3	Z50S4806M	A	1.25	31.75	2.75	69.9
7.5	Z23S4807N	P	1.8	44.45	2.38	60.3	Z50S4807N	A	1.25	31.75	3.25	82.6
10	Z23S4810M	P	1.8	44.45	2.75	69.9	Z50S4810M	A	1.25	31.75	4.25	108.0
12.5	Z23S4812N	P	1.8	44.45	2.75	69.9	Z64S4812N	C	1.75	44.45	2.75	69.9
15	Z23S4815M	P	1.8	44.45	3.25	82.6	Z64S4815M	C	1.75	44.45	2.75	69.9
17.5	Z23S4817N	P	1.8	44.45	3.75	95.3	Z64S4817N	C	1.75	44.45	3.25	82.6
20	Z23S4820M	P	1.8	44.45	3.75	95.3	Z64S4820M	C	1.75	44.45	3.75	95.3
25	Z23S4825M	P	1.8	44.45	3.75	95.3	Z64S4825M	C	1.75	44.45	4.25	108.0
30	Z24S4830M	S	2.0	50.80	4.25	108.0	Z64S4830M	C	1.75	44.45	4.75	120.7
35	Z24S4835M	S	2.0	50.80	4.25	108.0	Z62S4835M	D	2.00	50.80	4.75	120.7
40	Z26S4840M	T	2.5	63.50	3.25	82.6	Z62S4840M	D	2.00	50.80	3.25	82.6
45	Z26S4845M	T	2.5	63.50	3.75	95.3	Z62S4845M	D	2.00	50.80	3.75	95.3
50	Z26S4850M	T	2.5	63.50	3.75	95.3	Z62S4850M	D	2.00	50.80	3.75	95.3
55	Z26S4855M	T	2.5	63.50	4.25	108.0	Z62S4855M	D	2.00	50.80	3.75	95.3
60	Z26S4860M	T	2.5	63.50	4.25	108.0	Z62S4860M	D	2.00	50.80	4.25	108.0

# SuperMet Series - Round & Oval Metal Case

## Dual Rating Capacitors

RoHS Compliant

SuperMet Dual Ratings 370 Vac Metal Case												
Nom. Cap ( $\mu$ F)	Round Case Style						Oval Case Style					
	Catalog Part Number	Case Code	Base Dia.		Case Height		Catalog Part Number	Case Code	Base Size		Case Height	
			(in.)	(mm)	(in.)	(mm)			(in.)	(mm)	(in.)	(mm)
15.0 / 5.0	Z24S3720W	S	2.0	50.8	2.75	69.8	Z64S3720W	C	1.75	44.4	2.38	60.3
15.0 / 7.5	Z24S3722W	S	2.0	50.8	2.75	69.8	Z64S3722W	C	1.75	44.4	2.38	60.3
15.0 / 10.0	Z24S3725W	S	2.0	50.8	3.25	82.5	Z64S3725W	C	1.75	44.4	2.38	60.3
20.0 / 5.0	Z24S3725W	S	2.0	50.8	2.75	69.8	Z64S3725W	C	1.75	44.4	2.38	60.3
20.0 / 7.5	Z24S3727W	S	2.0	50.8	2.75	69.8	Z64S3727W	C	1.75	44.4	2.75	69.9
20.0 / 10.0	Z24S3730W	S	2.0	50.8	3.25	82.5	Z64S3730W	C	1.75	44.4	2.75	69.9
25.0 / 5.0	Z24S3730W	S	2.0	50.8	3.25	82.5	Z64S3730W	C	1.75	44.4	2.75	69.9
25.0 / 7.5	Z24S3732W	S	2.0	50.8	2.75	69.8	Z64S3732W	C	1.75	44.4	2.75	69.9
25.0 / 10.0	Z24S3735W	S	2.0	50.8	2.75	69.8	Z64S3735W	C	1.75	44.4	2.75	69.9
30.0 / 5.0	Z24S3735W	S	2.0	50.8	2.75	69.8	Z64S3735W	C	1.75	44.4	3.25	82.6
30.0 / 7.5	Z24S3737W	S	2.0	50.8	3.25	82.5	Z64S3737W	C	1.75	44.4	3.25	82.6
30.0 / 10.0	Z24S3740W	S	2.0	50.8	3.25	82.5	Z64S3740W	C	1.75	44.4	3.25	82.6
35.0 / 5.0	Z24S3740W	S	2.0	50.8	3.25	82.5	Z64S3740W	C	1.75	44.4	3.25	82.6
35.0 / 7.5	Z24S3742W	S	2.0	50.8	3.25	82.5	Z64S3742W	C	1.75	44.4	3.25	82.6
35.0 / 10.0	Z24S3745W	S	2.0	50.8	3.75	95.3	Z64S3745W	C	1.75	44.4	3.25	82.6
40.0 / 5.0	Z24S3745W	S	2.0	50.8	3.75	95.3	Z64S3745W	C	1.75	44.4	3.75	95.3
40.0 / 7.5	Z24S3747W	S	2.0	50.8	3.25	82.5	Z64S3747W	C	1.75	44.4	3.75	95.3
40.0 / 10.0	Z24S3750W	S	2.0	50.8	3.25	82.5	Z64S3750W	C	1.75	44.4	3.75	95.3
45.0 / 5.0	Z24S3750W	S	2.0	50.8	4.25	107.9	Z64S3750W	C	1.75	44.4	3.75	95.3
45.0 / 7.5	Z24S3752W	S	2.0	50.8	3.75	95.3	Z64S3752W	C	1.75	44.4	3.75	95.3
45.0 / 10.0	Z24S3755W	S	2.0	50.8	4.25	107.9	Z64S3755W	C	1.75	44.4	4.25	108.0
50.0 / 5.0	Z24S3755W	S	2.0	50.8	4.25	107.9						
50.0 / 7.5	Z24S3757W	S	2.0	50.8	4.25	107.9						
50.0 / 10.0	Z24S3760W	S	2.0	50.8	4.25	107.9						
55.0 / 5.0	Z26S3760W	T	2.5	63.5	3.25	82.5						
55.0 / 7.5	Z26S3762W	T	2.5	63.5	3.25	82.5						
55.0 / 10.0	Z26S3765W	T	2.5	63.5	3.25	82.5						
60.0 / 5.0	Z26S3765W	T	2.5	63.5	3.25	82.5						
60.0 / 7.5	Z26S3767W	T	2.5	63.5	3.25	82.5						

# SuperMet Series - Round & Oval Metal Case

## Dual Rating Capacitors

RoHS Compliant

SuperMet Dual Ratings 440 Vac Metal Case												
Nom. Cap ( $\mu$ F)	Round Case Style						Oval Case Style					
	Catalog Part Number	Case Code	Base Dia.		Case Height		Catalog Part Number	Case Code	Base Size		Case Height	
			(in.)	(mm)	(in.)	(mm)			(in.)	(mm)	(in.)	(mm)
15.0 / 5.0	Z24S4420W	S	2.0	50.8	2.75	69.8	Z64S4420W	C	1.75	44.4	2.75	69.8
15.0 / 7.5	Z24S4422W	S	2.0	50.8	3.25	82.5	Z64S4422W	C	1.75	44.4	2.75	69.8
15.0 / 10.0	Z24S4425W	S	2.0	50.8	3.75	95.3	Z64S4425W	C	1.75	44.4	2.75	69.8
20.0 / 5.0	Z24S4425W	S	2.0	50.8	3.25	82.5	Z64S4425W	C	1.75	44.4	2.75	69.8
20.0 / 7.5	Z24S4427W	S	2.0	50.8	3.25	82.5	Z64S4427W	C	1.75	44.4	3.25	82.5
20.0 / 10.0	Z24S4430W	S	2.0	50.8	3.75	95.3	Z64S4430W	C	1.75	44.4	3.25	82.5
25.0 / 5.0	Z24S4430W	S	2.0	50.8	3.25	82.5	Z64S4430W	C	1.75	44.4	3.25	82.5
25.0 / 7.5	Z24S4432W	S	2.0	50.8	3.75	95.3	Z64S4432W	C	1.75	44.4	3.25	82.5
25.0 / 10.0	Z24S4435W	S	2.0	50.8	3.75	95.3	Z64S4435W	C	1.75	44.4	3.25	82.5
30.0 / 5.0	Z24S4435W	S	2.0	50.8	3.75	95.3	Z64S4435W	C	1.75	44.4	3.75	95.3
30.0 / 7.5	Z24S4437W	S	2.0	50.8	3.75	95.3	Z64S4437W	C	1.75	44.4	3.75	95.3
30.0 / 10.0	Z24S4440W	S	2.0	50.8	4.25	107.9	Z64S4440W	C	1.75	44.4	3.75	95.3
35.0 / 5.0	Z24S4440W	S	2.0	50.8	4.25	107.9	Z64S4440W	C	1.75	44.4	4.25	107.9
35.0 / 7.5	Z24S4442W	S	2.0	50.8	4.25	107.9	Z64S4442W	C	1.75	44.4	4.25	107.9
35.0 / 10.0	Z24S4445W	S	2.0	50.8	4.75	120.6	Z64S4445W	C	1.75	44.4	4.25	107.9
40.0 / 5.0	Z26S4445W	T	2.5	63.5	3.25	82.5	Z64S4445W	C	1.75	44.4	4.75	120.6
40.0 / 7.5	Z26S4447W	T	2.5	63.5	3.25	82.5	Z64S4447W	C	1.75	44.4	4.75	120.6
40.0 / 10.0	Z26S4450W	T	2.5	63.5	3.25	82.5	Z64S4450W	C	1.75	44.4	4.75	120.6
45.0 / 5.0	Z26S4450W	T	2.5	63.5	3.25	82.5						
45.0 / 7.5	Z26S4452W	T	2.5	63.5	3.75	95.3						
45.0 / 10.0	Z26S4455W	T	2.5	63.5	3.25	82.5						
50.0 / 5.0	Z26S4455W	T	2.5	63.5	3.75	95.3						
50.0 / 7.5	Z26S4457W	T	2.5	63.5	3.75	95.3						
50.0 / 10.0	Z26S4460W	T	2.5	63.5	3.75	95.3						
55.0 / 5.0	Z26S4460W	T	2.5	63.5	3.75	95.3						
55.0 / 7.5	Z26S4462W	T	2.5	63.5	3.75	95.3						
55.0 / 10.0	Z26S4465W	T	2.5	63.5	3.75	95.3						
60.0 / 5.0	Z26S4465W	T	2.5	63.5	3.75	95.3						
60.0 / 7.5	Z26S4467W	T	2.5	63.5	3.75	95.3						
60.0 / 10.0	Z26S4470W	T	2.5	63.5	3.75	95.3						

# ZeMax™ - Round Aluminum Can

## Ratings

RoHS Compliant

Cap ( $\mu$ F)	Catalog Part Number	Case Code	Diameter		Height	
			(In.)	(mm)	(In.)	(mm)
<b>240 Vac</b>						
16	Z23S2416M01	P	1.75	44.45	2.75	69.85
17	Z23S2417M01	P	1.75	44.45	2.75	69.85
17.5	Z23S2417N01	P	1.75	44.45	2.75	69.85
20	Z23S2420M01	P	1.75	44.45	2.75	69.85
25	Z23S2425M01	P	1.75	44.45	2.75	69.85
30	Z23S2430M01	P	1.75	44.45	3.25	82.55
35	Z23S2435M01	P	1.75	44.45	3.75	95.25
40	Z23S2440M01	P	1.75	44.45	3.75	95.25
45	Z23S2445M01	P	1.75	44.45	3.75	95.25
50	Z23S2450M01	P	1.75	44.45	4.75	120.65
50	Z24S2450M01	S	2.00	50.80	3.75	95.25
60	Z24S2460M01	S	2.00	50.80	3.75	95.25
65	Z24S2465M01	S	2.00	50.80	3.75	95.25
80	Z24S2480M01	S	2.00	50.80	4.25	107.95
<b>370 Vac</b>						
5	Z23S3705M01	P	1.75	44.45	2.75	69.85
7.5	Z23S3707N01	P	1.75	44.45	2.75	69.85
10	Z23S3710M01	P	1.75	44.45	2.75	69.85
12	Z23S3712M01	P	1.75	44.45	2.75	69.85
14	Z23S3714M01	P	1.75	44.45	2.75	69.85
15	Z23S3715M01	P	1.75	44.45	2.75	69.85
17	Z23S3717M01	P	1.75	44.45	2.75	69.85
17.5	Z23S3717N01	P	1.75	44.45	2.75	69.85
20	Z23S3720M01	P	1.75	44.45	3.25	82.55
25	Z23S3725M01	P	1.75	44.45	3.25	82.55
25	Z24S3725M01	S	2.00	50.80	3.75	95.25
30	Z23S3730M01	P	1.75	44.45	3.75	95.25
30	Z24S3730M01	S	2.00	50.80	3.75	95.25
35	Z23S3735M01	P	1.75	44.45	4.25	107.95
35	Z24S3735M01	S	2.00	50.80	3.75	95.25
40	Z23S3740M01	P	1.75	44.45	4.25	107.95
40	Z24S3740M01	S	2.00	50.80	3.75	95.25
45	Z23S3745M01	P	1.75	44.45	4.75	120.65
45	Z24S3745M01	S	2.00	50.80	3.75	95.25
50	Z24S3750M01	S	2.00	50.80	4.25	107.95
55	Z23S3755M01	P	1.75	44.45	5.25	133.35
55	Z24S3755M01	S	2.00	50.80	4.25	107.95
60	Z24S3760M01	S	2.00	50.80	4.75	120.65
65	Z24S3765M01	S	2.00	50.80	4.75	120.65
70	Z24S3770M01	S	2.00	50.80	5.25	133.35
75	Z24S3775M01	S	2.00	50.80	5.25	133.35

Note: 4-blade terminal (M01) is standard; 2-blade terminal (M02) is optional

## ZeMax™ - Round Aluminum Can

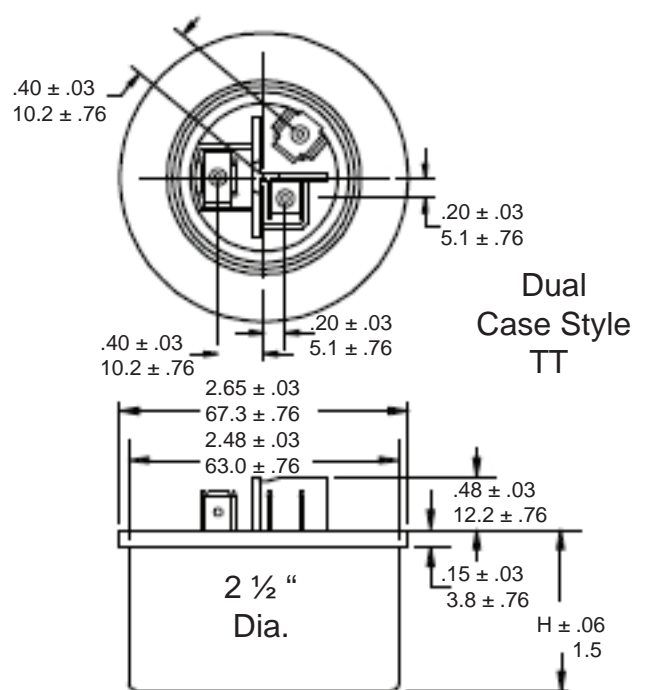
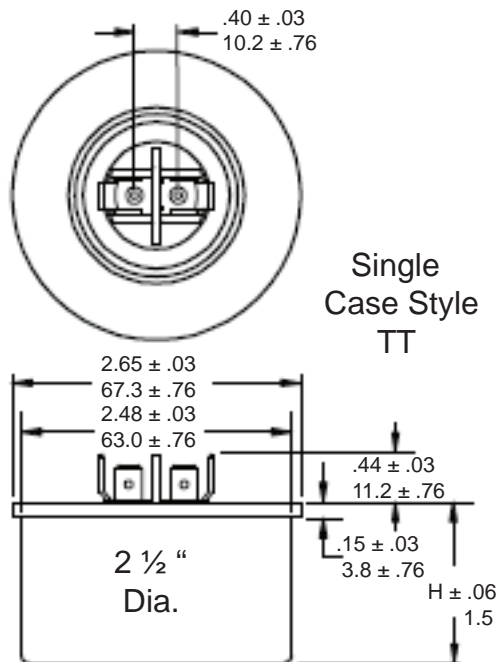
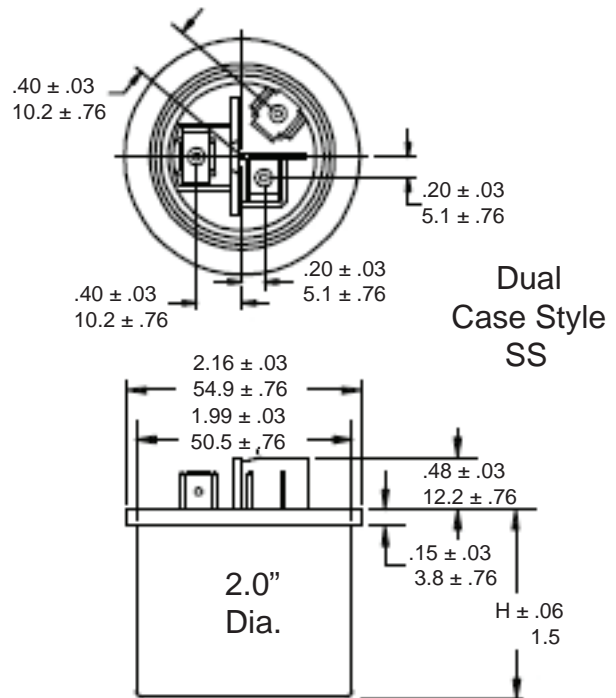
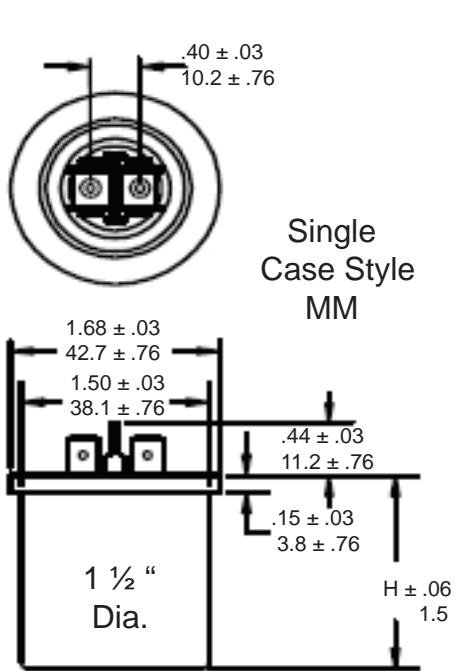
### Ratings

### RoHS Compliant

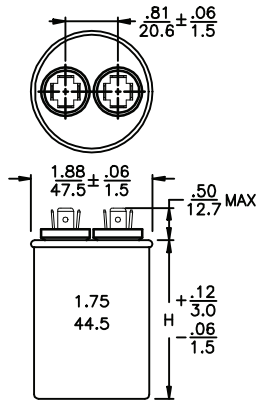
Cap ( $\mu$ F)	Catalog Part Number	Case Code	Diameter		Height	
			(In.)	(mm)	(In.)	(mm)
<b>440 Vac</b>						
7.5	Z23S4407N01	P	1.75	44.45	2.75	69.85
10	Z23S4410M01	P	1.75	44.45	2.75	69.85
12	Z23S4412M01	P	1.75	44.45	2.75	69.85
14	Z23S4414M01	P	1.75	44.45	3.25	82.55
15	Z23S4415M01	P	1.75	44.45	3.25	82.55
15	Z24S4415M01	S	2.00	50.80	3.75	95.25
17.5	Z23S4417N01	P	1.75	44.45	3.25	82.55
20	Z23S4420M01	P	1.75	44.45	3.75	95.25
25	Z23S4425M01	P	1.75	44.45	4.25	107.95
30	Z24S4430M01	S	2.00	50.80	3.75	95.25
35	Z24S4435M01	S	2.00	50.80	4.25	107.95
40	Z24S4440M01	S	2.00	50.80	4.25	107.95
45	Z24S4445M01	S	2.00	50.80	4.75	120.65
50	Z24S4450M01	S	2.00	50.80	5.25	133.35
55	Z24S4455M01	S	2.00	50.80	5.25	133.35

Note: 4-blade terminal (M01) is standard; 2-blade terminal (M02) is optional

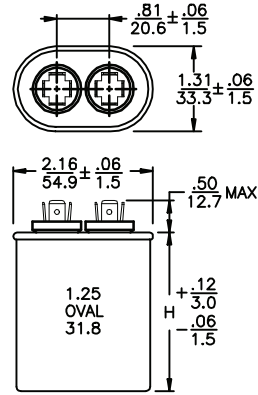
# AeroMet II Series - Round Plastic Case Mechanical Drawings



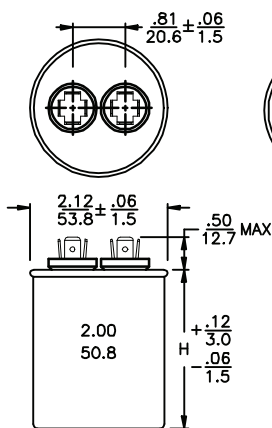
# SuperMet Series - Mechanical Drawings



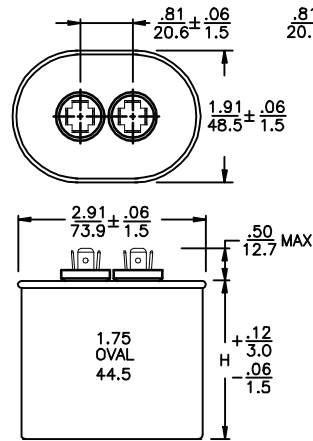
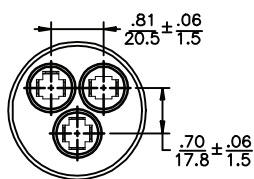
SINGLE  
CASE STYLE  
P



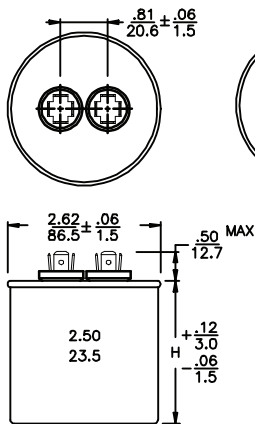
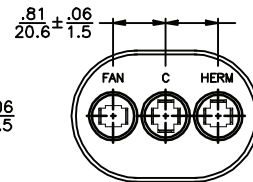
SINGLE  
CASE STYLE  
A



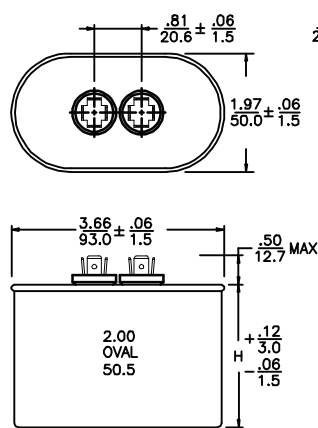
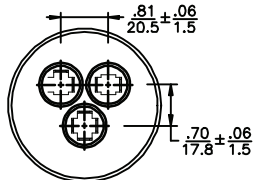
CASE STYLE  
S



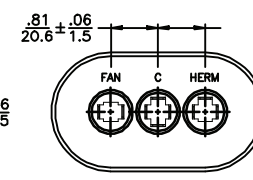
CASE STYLE  
C



CASE STYLE  
T



CASE STYLE  
D

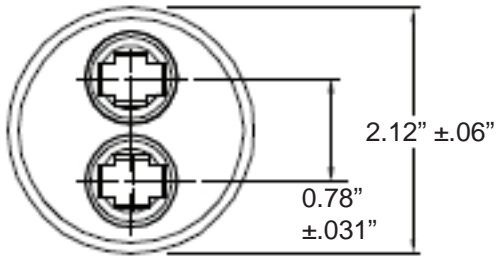
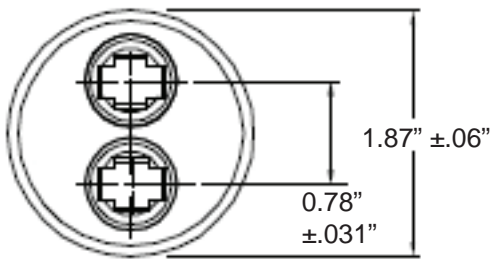


Standard case sizes and ratings are shown; please consult factory for other sizes and ratings.

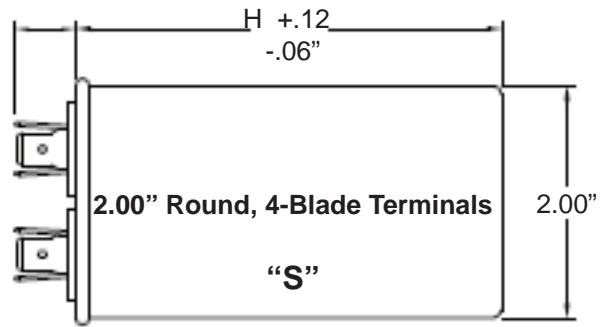
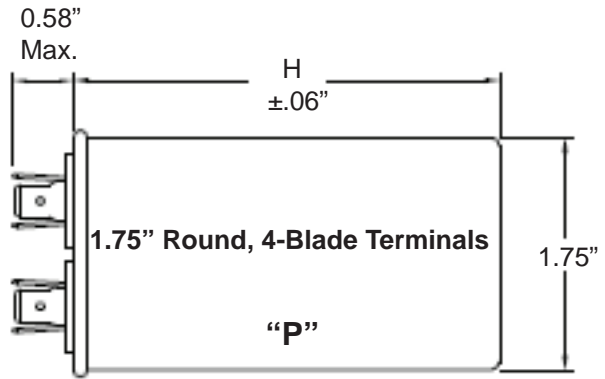


# ZeMax™ Series - Mechanical Drawings

## Steel Covers



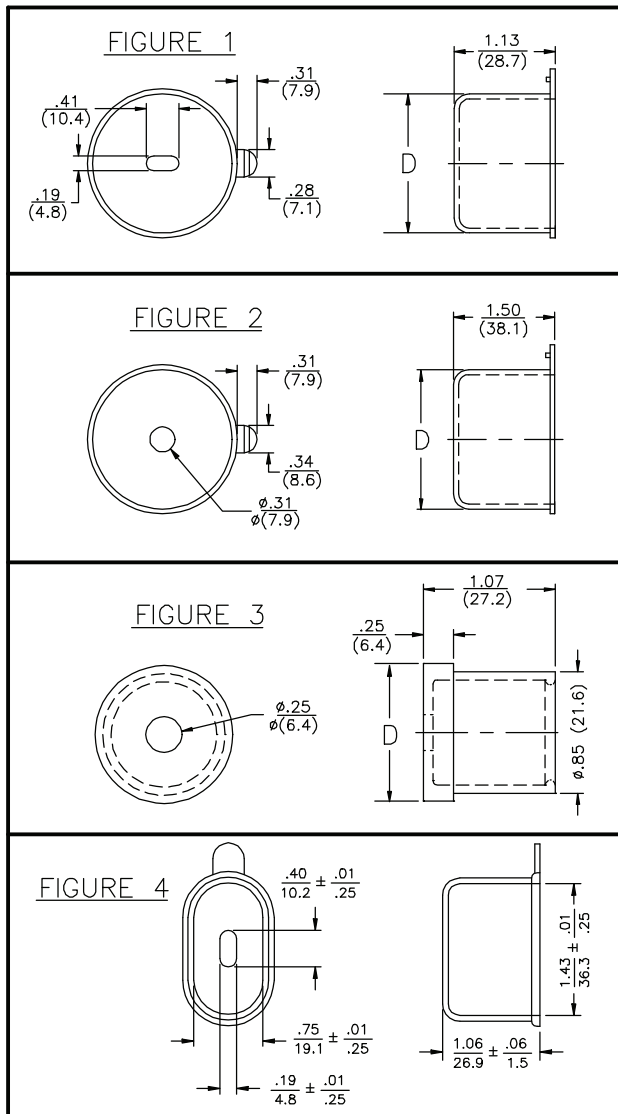
## Aluminum Cans



# Accessories - Order Optional Mounting Accessories Separately

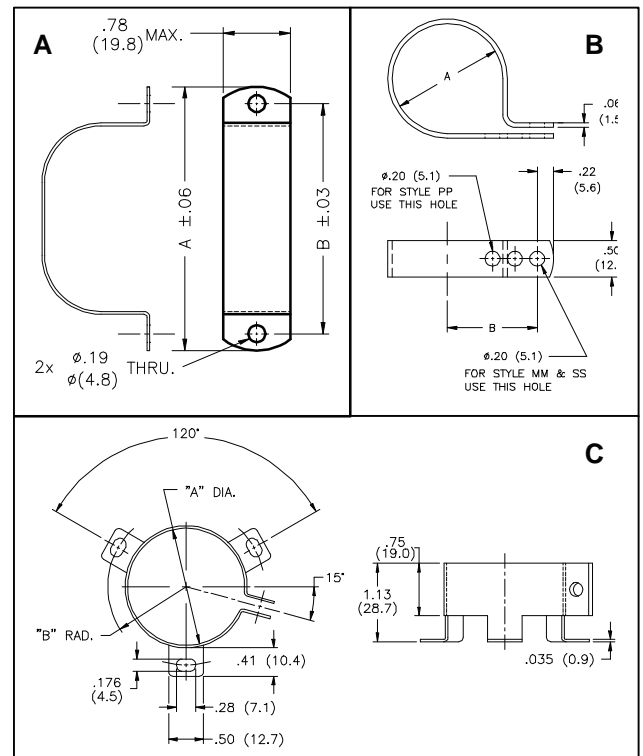
## Terminal Covers - Rubber Boots

Case Style	Fig.	Diameter (D)	Aerovox Part Number
Round	1	1.50" (31.8 mm)	44603-0009
Round	3	.96" (24.4 mm)	44603-0010
Round	2	1.75" (44.5 mm)	44603-0008
Round	2	2.00" (50.8 mm)	44603-0012
Oval	4		44603-0000



## Mounting Brackets

Case Style	Dimensions		Aerovox Part No.	Fig.
	A	B		
MM	1.50" (38.1 mm)	1.22" (31.0 mm)	51045-0013	B
PP	1.75" (44.5 mm)	1.50" (38.1 mm)	51045-0014	B
SS	1.99" (50.5 mm)	1.50" (38.1 mm)	51045-0014	B
P	1.75" (44.5 mm)	1.13" (28.7 mm)	51045-0007	C
S	2.00" (50.8 mm)	1.25" (31.8 mm)	51045-0008	C
T	2.50" (63.5 mm)	1.50" (38.1 mm)	51045-0009	C
A	2.94" (74.7 mm)	2.56" (65.0 mm)	43547-0001	A



**RoHS Compliant**